

MATERIALS AND FINISHES

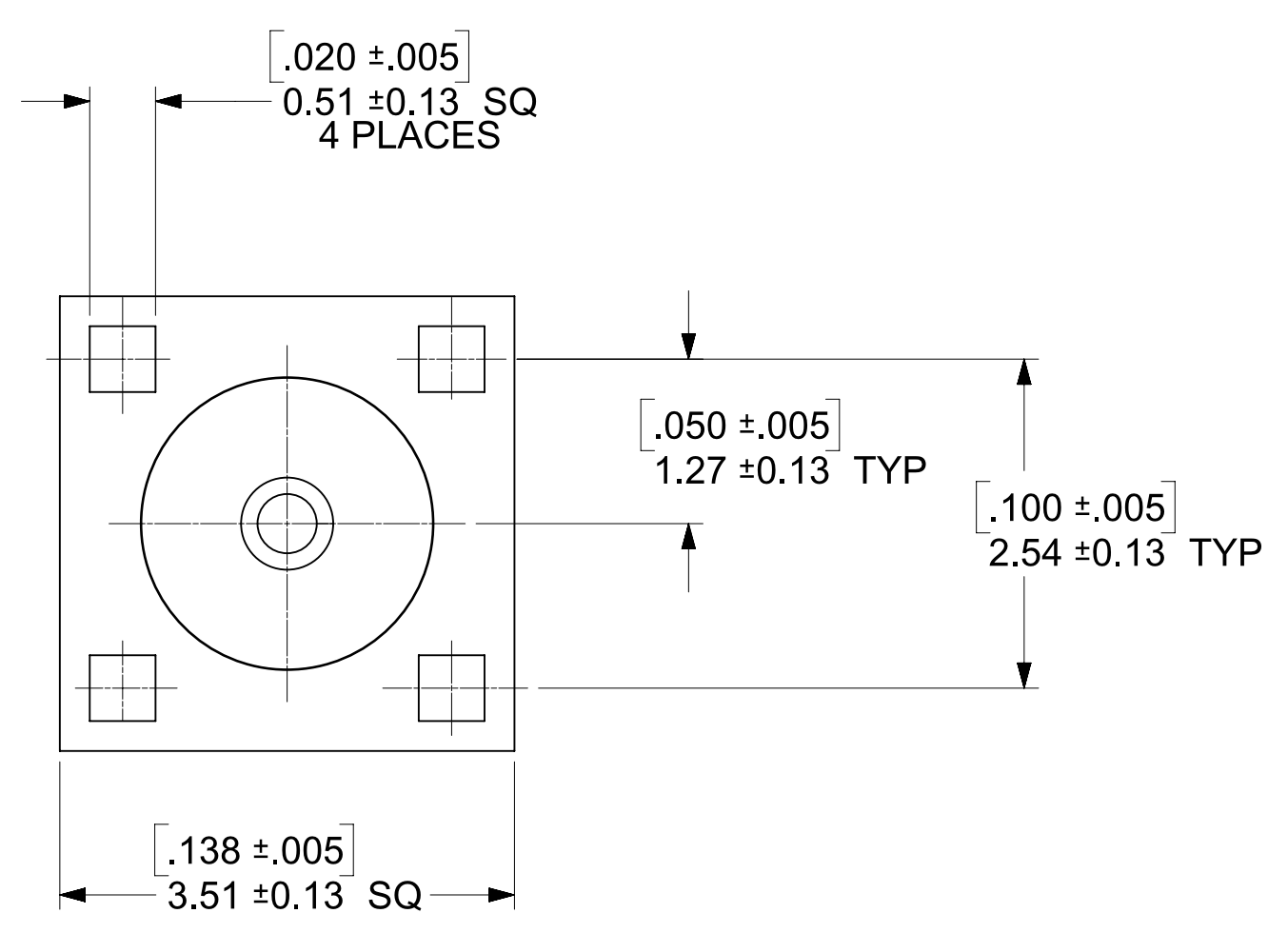
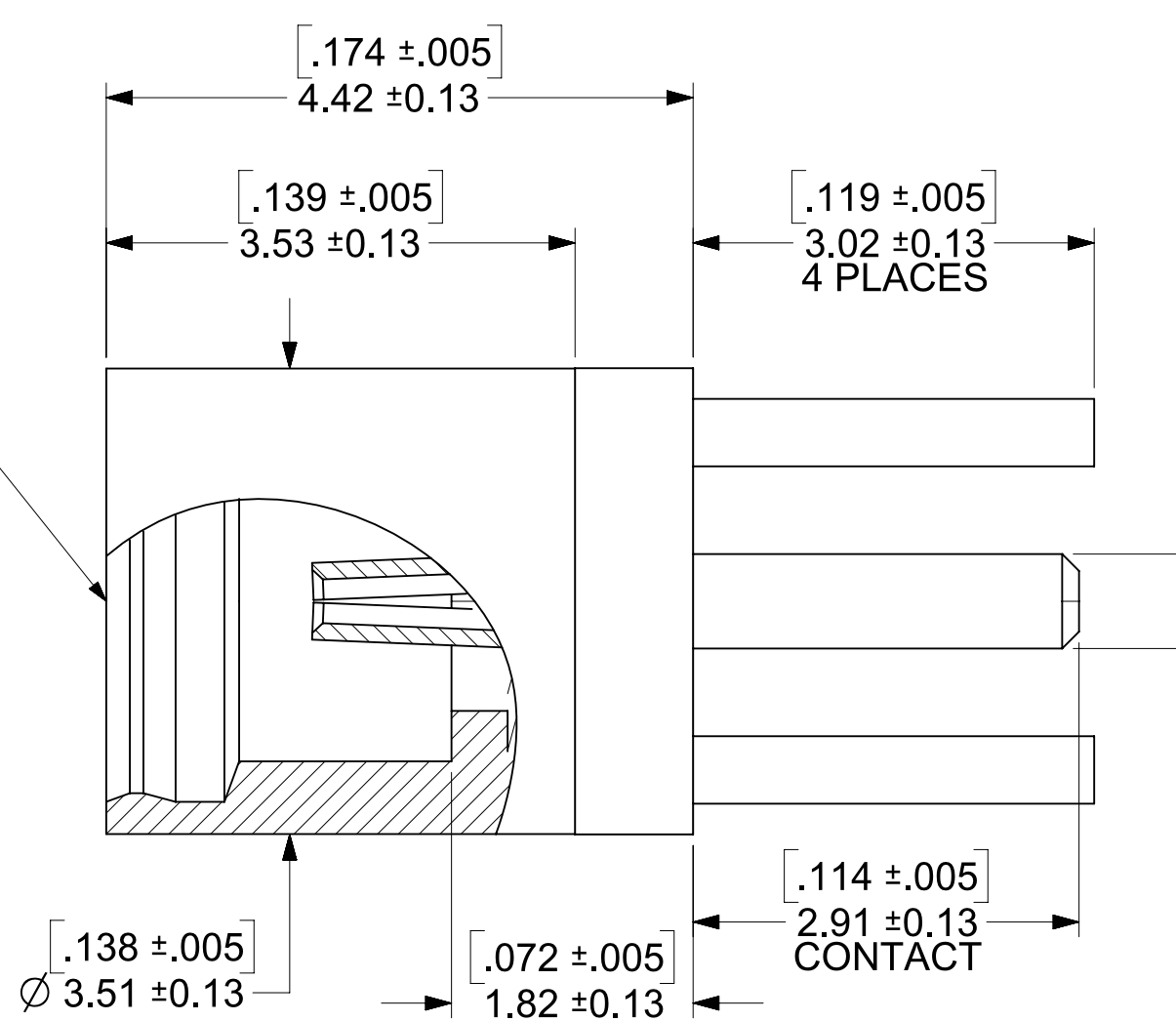
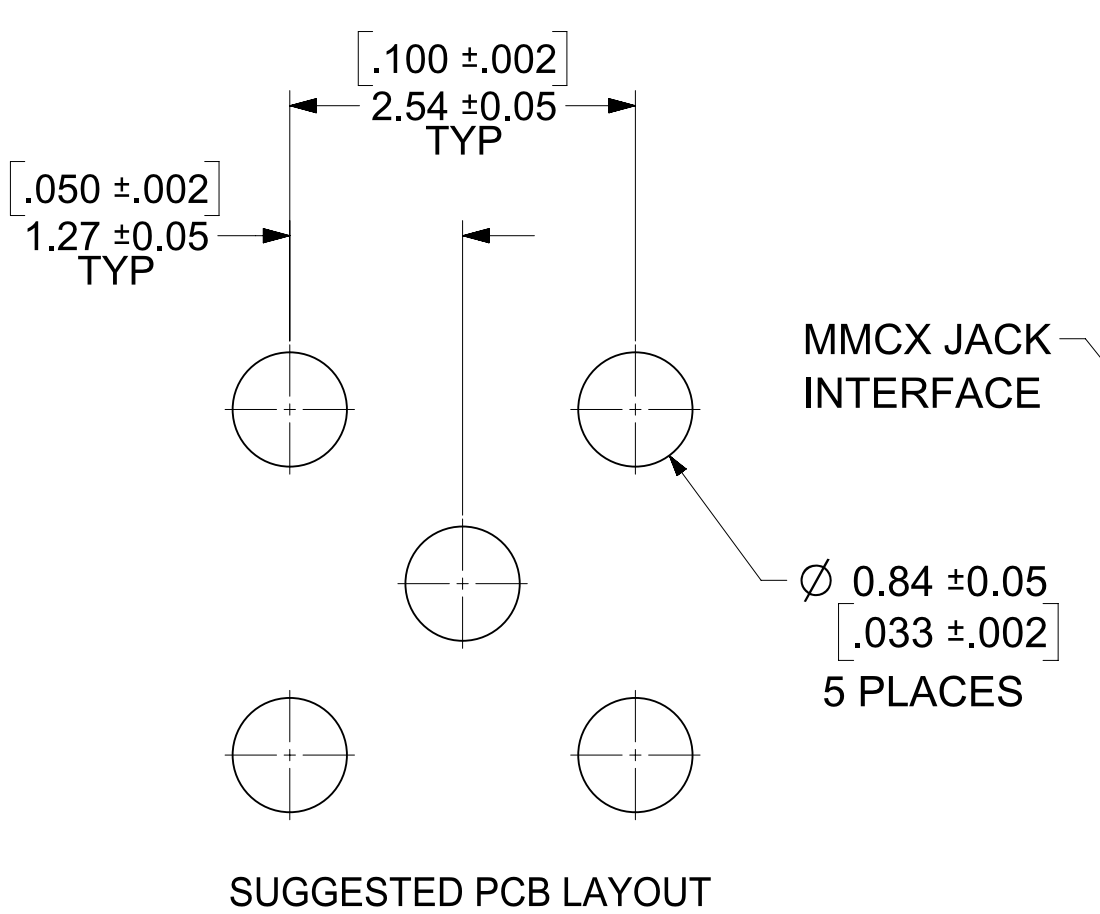
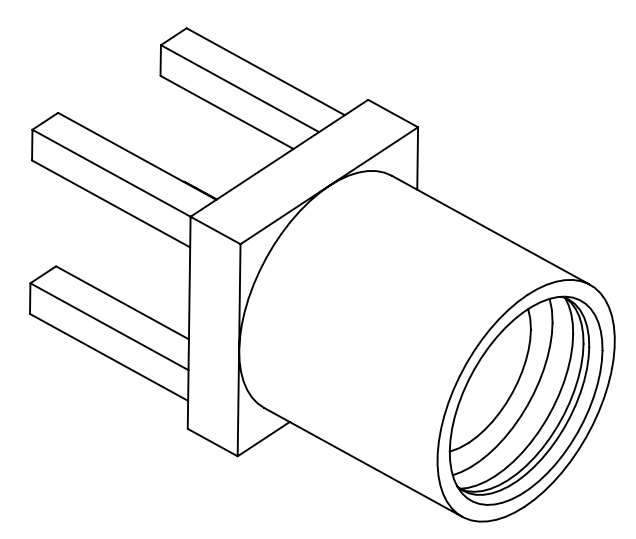
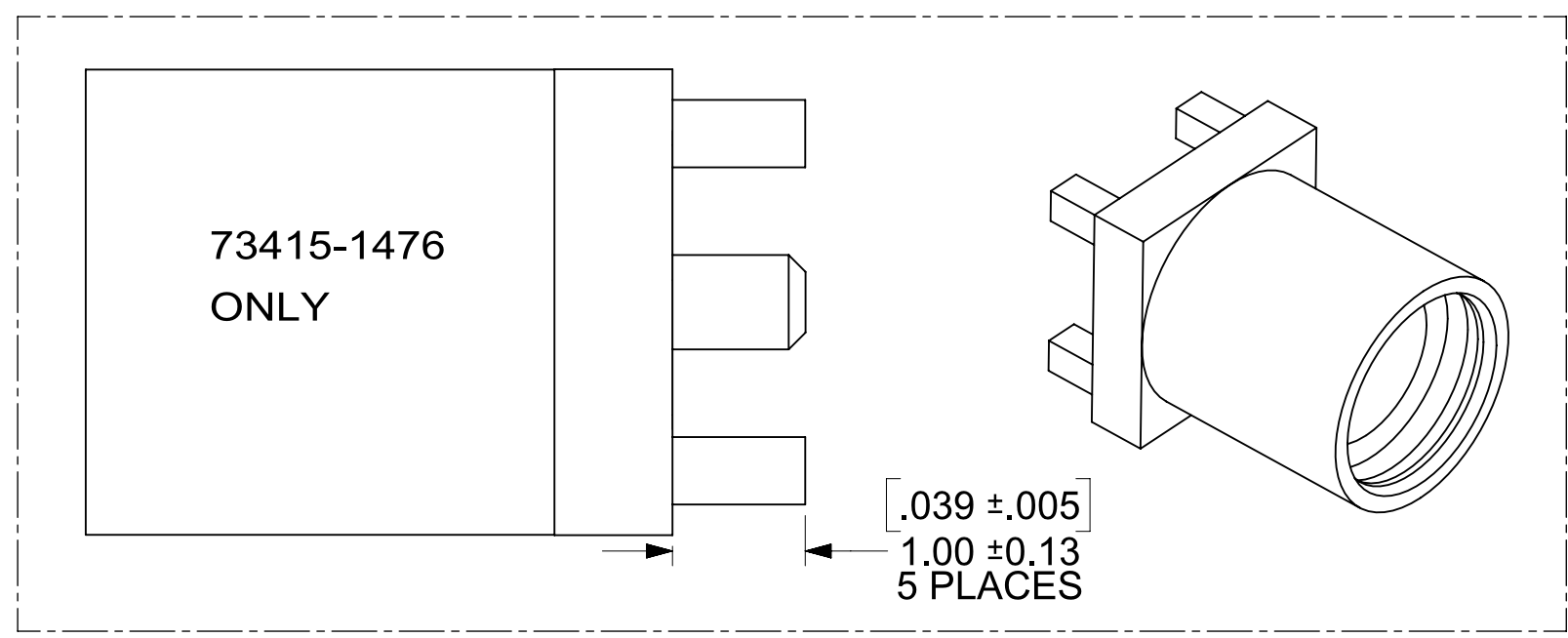
BODY SEE TABLE
PLATED SEE TABLE

CENTER CONTACT BERYLLIUM COPPER
PLATED SEE TABLE

INSULATOR TEFLON

NOTE
PART # 73415-1473 IS

NON-MAGNETIC

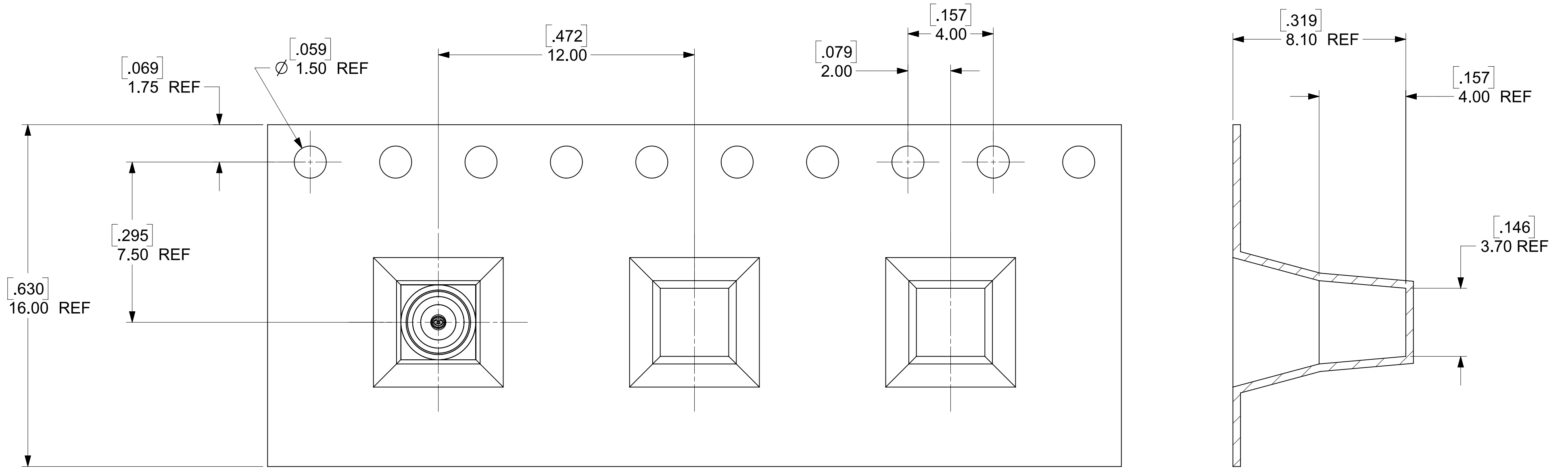


| | | | |
|------------|---|--|-----------------------------|
| 73414-0990 | P/N 73415-1471 , TAPE AND REEL WITHOUT KAPTON TAPE (SEE 89542-0450 DRAWING) | BRASS/GOLD 1u" (PER COMMERCIAL REQUIRMENT) | GOLD 30u" |
| 73415-1477 | TRAY | BRASS/GOLD 1u" (PER COMMERCIAL REQUIRMENT) | GOLD 1u" |
| 73415-1476 | TRAY (1.00 MM LEG LENGTHS) | BRASS/GOLD 1u" (PER COMMERCIAL REQUIRMENT) | GOLD 30u" |
| 73415-1475 | P/N 73415-1471 , TAPE AND REEL WITH KAPTON TAPE (SEE 89542-0440 DRAWING) | BRASS/GOLD 1u" (PER COMMERCIAL REQUIRMENT) | GOLD 30u" |
| 73415-1474 | TRAY | BRASS/GOLD 1u" (PER COMMERCIAL REQUIRMENT) | GOLD 30u" |
| 73415-1473 | BAG (SEE 89542-0103 DRAWING) | BeCu/GOLD 10u" (NON MAGNETIC) | GOLD 30u" |
| 73415-1472 | P/N 73415-1471, ONE PER BAG | BRASS/GOLD 1u" (PER COMMERCIAL REQUIRMENT) | GOLD 30u" |
| 73415-1471 | BAG (SEE 89542-0102 DRAWING) | BRASS/GOLD 1u" (PER COMMERCIAL REQUIRMENT) | GOLD 30u" |
| 73415-1470 | BAG (SEE 89542-0102 DRAWING) | BRASS/ GOLD 30u" (PER MILITARY REQUIRMENT) | GOLD 50u" |
| PART NO. | PACKAGING | MATERIAL/PLATING (BODY) | PLATING (CENTER CONTACT) |

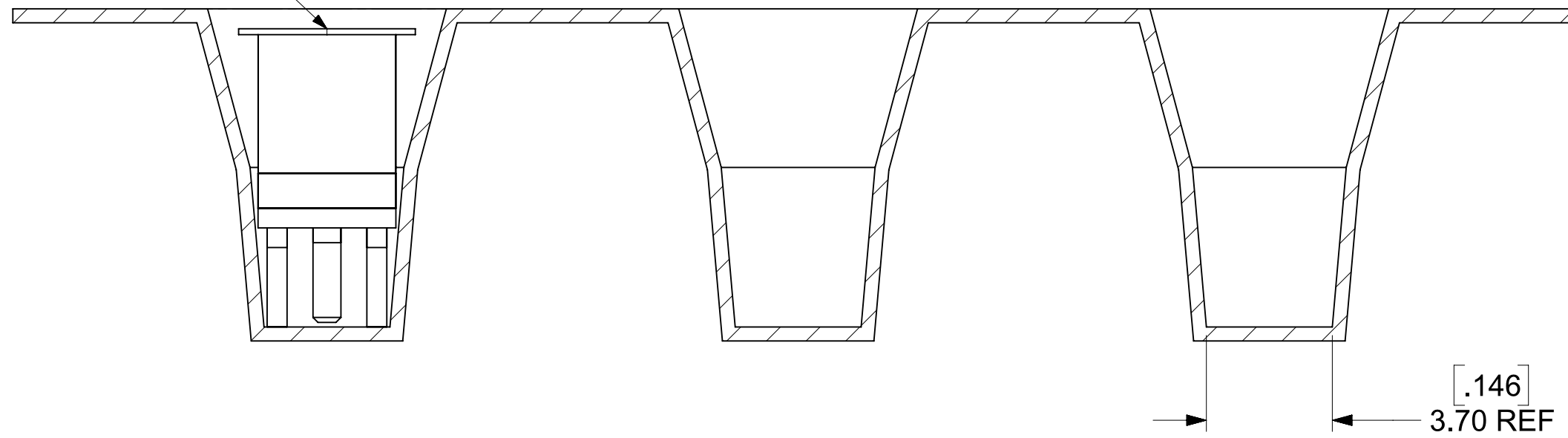
| | |
|---------------|-------------------|
| CECC 22 340 | INTERFACE |
| PS-89675-1920 | ELECTRO/MECH PER. |
| SPECIFICATION | DESCRIPTION |

| | | | |
|--|--|--|--|
| SYMBOLS ▽ = 0 ▽ = 0 ▽ = 0 ▽ = 0 ▽ = 0 ▽ = 0 ▽ = 0 ▽ = 0 ▽ = 0 ▽ = 0 | THIS DRAWING CONTAINS INFORMATION THAT IS PROPRIETARY TO MOLEX ELECTRONIC TECHNOLOGIES, LLC AND SHOULD NOT BE USED WITHOUT WRITTEN PERMISSION DIMENSION UNITS: MM/INCH SCALE: NTS CURRENT REV DESC: EWR-14517-B ADDED 73414-0990 PART NO | MMCX JACK, PCB MOUNT 50 OHMS MMCX-J/PCB PRODUCT CUSTOMER DRAWING | |
| | GENERAL TOLERANCES (UNLESS SPECIFIED) ANGULAR TOL ± 2.0° 4 PLACES ± 3 PLACES ± 2 PLACES ± 1 PLACE ± 0 PLACES ± | | EC NO: 675460 DRWN: JSU18 2021/08/19 CHK'D: YCHENG 2021/08/31 APPR: YCHENG 2021/08/31 |
| | DRAFT WHERE APPLICABLE MUST REMAIN WITHIN DIMENSIONS THIRD ANGLE PROJECTION DRAWING SERIES C-SIZE 73415 | | INITIAL REVISION: DRWN: RFC_PLMIMP 2017/12/28 APPR: JWIEENER 2007/01/09 |
| | | | DOCUMENT NUMBER: SD-73415-147 DOC TYPE: PSD DOC PART: 001 REVISION: C5 MATERIAL NUMBER: CUSTOMER: GENERAL MARKET SHEET NUMBER: 1 OF 3 |

NOTE
DIMENSIONS ARE PROVIDED FOR REFERENCE ONLY



KAPTON



(FOR 73415-1475)

| SYMBOLS | | THIS DRAWING CONTAINS INFORMATION THAT IS PROPRIETARY TO MOLEX ELECTRONIC TECHNOLOGIES, LLC AND SHOULD NOT BE USED WITHOUT WRITTEN PERMISSION | | | |
|-----------------|--|---|--------------------------|------------|--|
| DIMENSION UNITS | SCALE | CURRENT REV DESC: | | | |
| ∇ = 0 | MM/INCH | NTS | EWR-14517-B | | molex |
| ∇ = 0 | GENERAL TOLERANCES (UNLESS SPECIFIED) | | ADDED 73414-0990 PART NO | | |
| ∇ = 0 | ANGULAR TOL \pm 2.0° | | EC NO: 675460 | | MMCX JACK, PCB MOUNT 50 OHMS MMCX-J/PCB |
| ∇ = 0 | 4 PLACES | \pm | DRWN: JSU18 | 2021/08/19 | |
| ∇ = 0 | 3 PLACES | \pm | CHK'D: YCHENG | 2021/08/31 | |
| ∇ = 0 | 2 PLACES | \pm | APPR: YCHENG | 2021/08/31 | |
| ∇ = 0 | 1 PLACE | \pm | INITIAL REVISION: | | |
| ∇ = 0 | 0 PLACES | \pm | DRWN: RFC_PLMIMP | 2017/12/28 | |
| ∇ = 0 | DRAFT WHERE APPLICABLE MUST REMAIN WITHIN DIMENSIONS | | APPR: JWIENER | 2007/01/09 | |
| ∇ = 0 | THIRD ANGLE PROJECTION | | DRAWING | SERIES | DOCUMENT NUMBER |
| | | | C-SIZE | 73415 | SD-73415-147 |
| | | | | | DOC TYPE |
| | | | | | DOC PART |
| | | | | | REVISION |
| | | | | | PSD 001 C5 |
| | | | | | MATERIAL NUMBER |
| | | | | | CUSTOMER |
| | | | | | SHEET NUMBER |
| | | | | | GENERAL MARKET |
| | | | | | 2 OF 3 |

| | | | | |
|-----------------|----|--------------|------------|----------|
| DOCUMENT STATUS | P1 | RELEASE DATE | 2021/08/31 | 04:55:36 |
|-----------------|----|--------------|------------|----------|

13" REEL SIZE

$12.993 \pm .020$
 $\varnothing 330.02 \pm 0.51$

$.647$
 16.43 MIN

$.502$
 $\varnothing 12.75$ REF

250 MM EMPTY MIN


250 MM EMPTY MIN

ORDER QUANTITY PACKED

230.00 MIN

LABEL

- ORDER NO.
- QUANTITY
- PART NO.
- LOT NO.

| | | | | | | | | | |
|--|---|--|-----------------------------|-----------------------------|---|---|--------------------------|--|--|
| SYMBOLS $\nabla = 0$ $\nabla = 0$ $\nabla = 0$ $\nabla = 0$ $\nabla = 0$ $\nabla = 0$ $\nabla = 0$ $\nabla = 0$ $\nabla = 0$ | THIS DRAWING CONTAINS INFORMATION THAT IS PROPRIETARY TO MOLEX ELECTRONIC TECHNOLOGIES, LLC AND SHOULD NOT BE USED WITHOUT WRITTEN PERMISSION | SCALE | | CURRENT REV DESC: | |  MMCX JACK, PCB MOUNT 50 OHMS MMCX-J/PCB | | | |
| | DIMENSION UNITS | MM/INCH | SCALE | NTS | EWR-14517-B ADDED 73414-0990 PART NO | | | | |
| | GENERAL TOLERANCES (UNLESS SPECIFIED) | | ANGULAR TOL $\pm 2.0^\circ$ | | EC NO: 675460 | | PRODUCT CUSTOMER DRAWING | | |
| | 4 PLACES \pm | | 1 PLACE \pm | | DRWN: JSU18 2021/08/19 | | DOCUMENT NUMBER | | |
| 3 PLACES \pm | | 0 PLACES \pm | | CHK'D: YCHENG 2021/08/31 | | DOC TYPE | | | |
| 2 PLACES \pm | | DRAFT WHERE APPLICABLE MUST REMAIN WITHIN DIMENSIONS | | APPR: YCHENG 2021/08/31 | | DOC PART | | | |
| 1 PLACE \pm | | THIRD ANGLE PROJECTION | | INITIAL REVISION: | | REVISION | | | |
| 0 PLACES \pm | | DRAWING | | DRWN: RFC_PLMIMP 2017/12/28 | | SD-73415-147 | | | |
| | | SERIES | | APPR: JWIENER 2007/01/09 | | PSD 001 C5 | | | |
| | | C-SIZE | | 73415 | | SHEET NUMBER | | | |
| | | | | | | GENERAL MARKET 3 OF 3 | | | |