

4

3

2

1

THIS DRAWING IS UNPUBLISHED.

RELEASED FOR PUBLICATION

20

© COPYRIGHT 20

TE

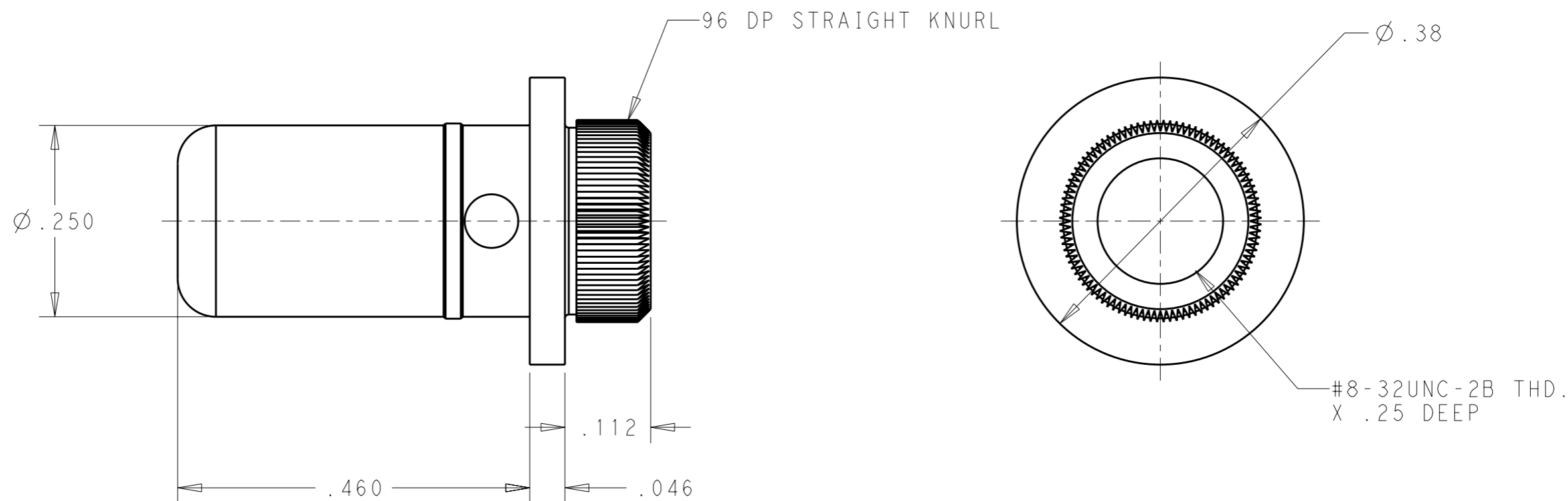
ALL RIGHTS RESERVED.

LOC  
GP

DIST  
00

REVISIONS

P	LTR	DESCRIPTION	DATE	DWN	APVD
	A	RELEASED	01DEC2011	RG	DO



1 MATERIAL:  
COPPER ALLOY


2 FINISH:  
SILVER PLATED .000100 MIN THK. OVER  
NICKEL .000050 MIN THK.

3. ITEMS PROVIDED TO THIS SPECIFICATION TO BE PERMANENTLY  
IDENTIFIED ON THE CONTAINER PER THE FOLLOWING IDENTIFIER:

PART NO. AND MANUFACTURING DATE CODE

2085957-1

PART NO.

THIS DRAWING IS A CONTROLLED DOCUMENT.		DWN R. GRZYBOWSKI 01DEC2011	 TE Connectivity													
DIMENSIONS: INCHES		CHK D. ORRIS 01DEC2011														
TOLERANCES UNLESS OTHERWISE SPECIFIED:		APVD D. ORRIS 01DEC2011	NAME PIN CONTACT LOCKING, INT THREAD BACKPLANE MOUNTING													
<table border="1"> <tr> <td>0 PLC</td> <td>±-</td> </tr> <tr> <td>1 PLC</td> <td>±-</td> </tr> <tr> <td>2 PLC</td> <td>±-</td> </tr> <tr> <td>3 PLC</td> <td>±.010</td> </tr> <tr> <td>4 PLC</td> <td>±-</td> </tr> <tr> <td>ANGLES</td> <td>±-</td> </tr> </table>		0 PLC	±-	1 PLC	±-	2 PLC	±-	3 PLC	±.010	4 PLC	±-	ANGLES	±-	PRODUCT SPEC -	SIZE A300779	
0 PLC	±-															
1 PLC	±-															
2 PLC	±-															
3 PLC	±.010															
4 PLC	±-															
ANGLES	±-															
MATERIAL -		APPLICATION SPEC -	DRAWING NO C-2085957													
FINISH -		WEIGHT -	RESTRICTED TO -													
		CUSTOMER DRAWING	SCALE 6:1	SHEET 1 OF 1												
				REV A												