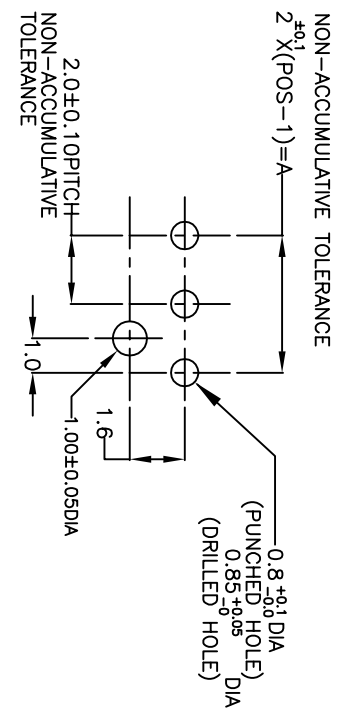
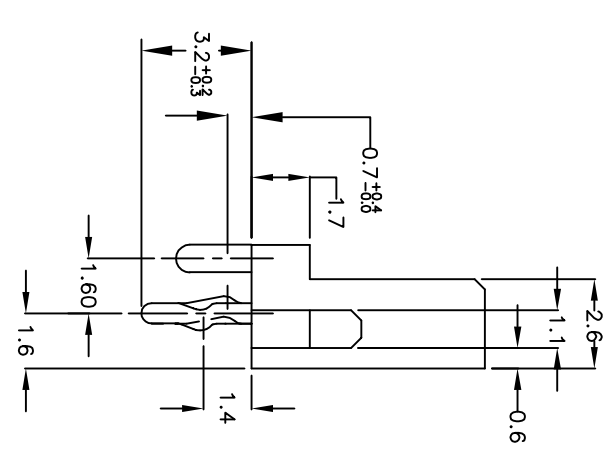
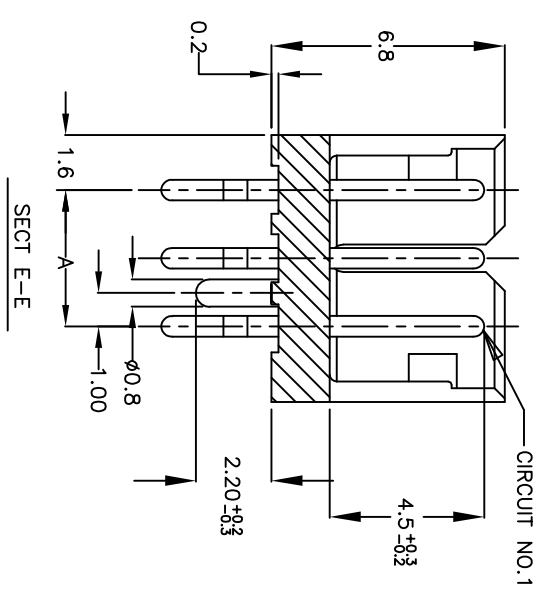
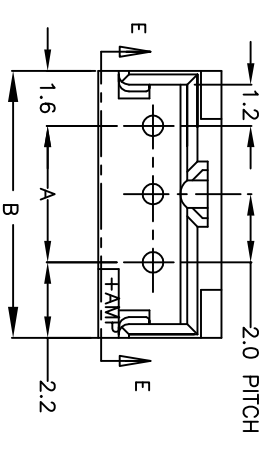


REV	DATE	BY	APP'D
1	22MAR05	C.Z	I.E

REV	DESCRIPTION	DATE	BY	APP'D
0	RELEASED	ECO-05-000610	22MAR05	C.Z I.E



NON-ACCUMULATIVE TOLERANCE
 2.0 ±0.10 PITCH
 NON-ACCUMULATIVE TOLERANCE
 RECOMMENDABLE P.C. BOARD LAYOUT
 PCB THK: 1.6mm

- NOTES:
 1. MATERIAL: HOUSING - 66 NYLON (UL94V-0)
 POST - POST-PLATED TIN BRASS
 2. APPLICABLE RECEPTACLE: P/N: 173977

THIS DRAWING IS A CONTROLLED DOCUMENT.

DIMENSIONS:	mm	TOLERANCES UNLESS OTHERWISE SPECIFIED:	±0.2
			±0.1
			±0.05
			±0.02
			±0.01
			±0.005
			±0.002
			±0.001

APPROVED: S. YAO
 DATE: 22MAR05
 DRAWN: C. ZHU
 DATE: 22MAR05

PRODUCT SPEC: LENDOMOTO
 APPLICATION SPEC: POST HEADER ASSEMBLY (V TYPE)
 AMP CT CONNECTOR 2mm PITCH WITH HOUSING BOSS

SIZE: A3
 QAGE CODE: 00779
 DRAWING NO: 292389

SCALE: NTS
 SHEET: 1 OF 1
 REV: 0

NATURAL	7.8	4	3	292389-3
COLOR	B	A	POS	P/N

tyco
Electronics
 Tyco Electronics Corporation
 shanghai cn