

4

3

2

1

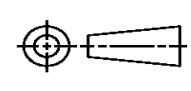
THIS DRAWING IS UNPUBLISHED. RELEASED FOR PUBLICATION
 © COPYRIGHT ALL RIGHTS RESERVED.

| LOC | DIST | REVISIONS | | | |
|-----|------|---------------|-----------|-----|------|
| P | LTR | DESCRIPTION | DATE | DWN | APVD |
| | A1 | ECR-16-011296 | 03OCT2016 | GK | SD |
| | | | | | |
| | | | | | |

REPLACED BY OCEAN STYLE APPLICATOR PART NUMBER 2836398-2

FOR REPLACEMENT PARTS FOR APPLICATOR 1528746
 REFER TO ADDITIONAL PAGE(S). SPARE PARTS KIT (IF LISTED)
 WILL REMAIN AVAILABLE.

THE REPLACEMENT OCEAN STYLE APPLICATOR HAS THE
 SAME TERMINATOR/PRESS INTERFACE AS APPLICATOR
 1528746

| | | | | | |
|---|--|---|------------------|--------------------------------------|---------------------|
| THIS DRAWING IS A CONTROLLED DOCUMENT. | | DWN | GOPALAKRISHNA HV | | |
| DIMENSIONS: | | CHK | GOPALAKRISHNA HV | | |
|  | | TOLERANCES UNLESS OTHERWISE SPECIFIED: | | APVD | |
| | | 0 PLC ± 1 PLC ± 2 PLC ± 3 PLC ± 4 PLC ± ANGLES ± | | STOUGH DALE | |
| MATERIAL | | PRODUCT SPEC | | NAME | |
| FINISH | | APPLICATION SPEC | | FINE ADJUST SIDE FEED HDI APPLICATOR | |
| | | WEIGHT | SIZE | CAGE CODE | DRAWING NO |
| | | | A3 | | ©- 1528746 |
| | | CUSTOMER DRAWING | | SCALE | SHEET 1 OF 2 REV A1 |

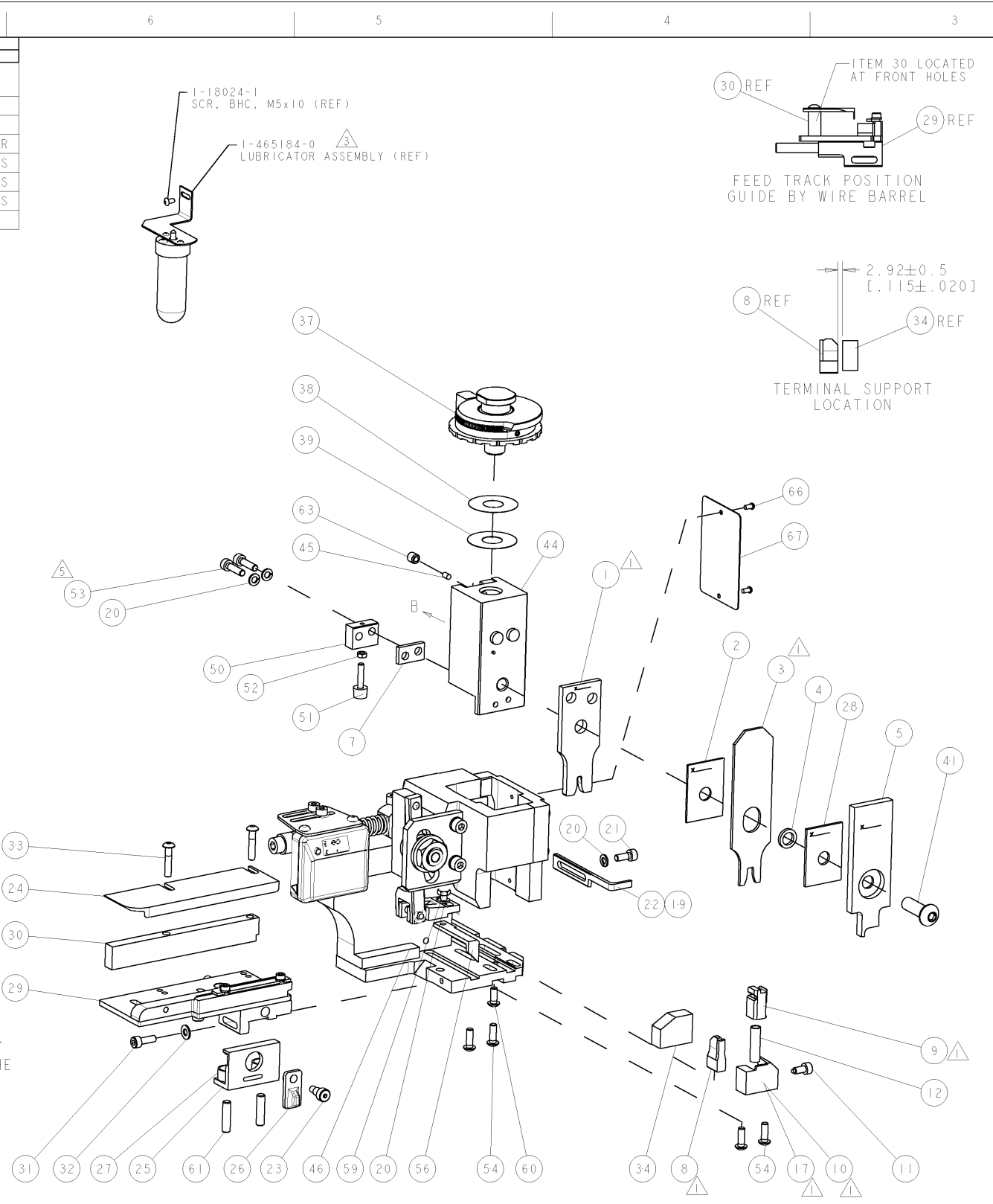
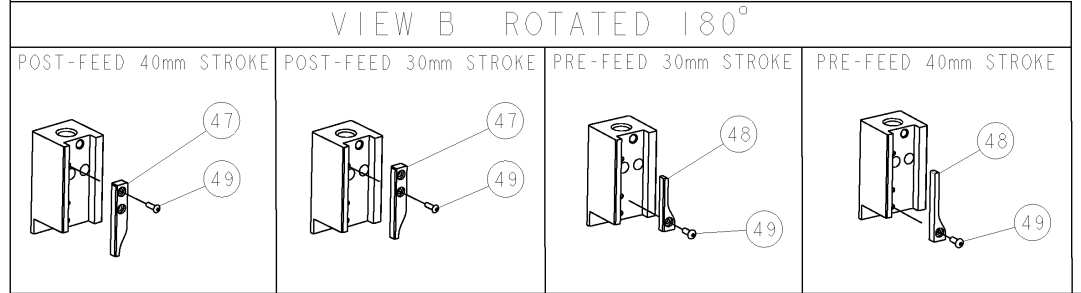


| PART NUMBER | REV | TERMINATOR | FEED TYPE | DESCRIPTION |
|-------------|-----|------------|----------------|--------------------|
| 1528746-1 | A | LEADMAKER | MECH POST FEED | CUTS CARRIER |
| 1528746-2 | A | BENCH | MECH PRE FEED | CUTS CARRIER |
| 1528746-6 | A | LEADMAKER | MECH POST FEED | CONTINUOUS CARRIER |
| 7-1528746-1 | A | LEADMAKER | MECH POST FEED | -1 AND SPARE PARTS |
| 7-1528746-2 | A | BENCH | MECH PRE FEED | -2 AND SPARE PARTS |
| 7-1528746-6 | A | LEADMAKER | MECH POST FEED | -6 AND SPARE PARTS |
| 7-1528746-7 | A | - | - | SPARE PARTS KIT |

| CRIMP DATA | | TYCO TERMINAL | TYCO CRIMP SPECS |
|---|--------------------------------|--|---------------------------------------|
| TERMINAL NAME: .250 SERIES POSITIVE LOCK RECEPTACLE | | | |
| CRIMP | SIZE | TYPE | RANGE |
| WIRE | 2.79 [.110 IN] | F | 0.50-2.00mm ² or 20-14 AWG |
| INSUL | 4.57 [.180 IN] | F | 2.10-3.40 [.083-.134 IN] |
| WIRE STRIP LENGTH 5.00-6.00 [.197-.236 IN] | | APPL INSTRUCTIONS 408-8322 & 408-8490 | |
| TERMINAL APPL SPEC 114-5032 | | FEED 20.00 [.787 IN] | |
| TERMINALS APPLIED | | | |
| 170233 | - | - | - |
| - | - | - | - |
| - | - | - | - |
| - | - | - | - |
| - | - | - | - |
| WIRE SIZE | CRIMP HEIGHT | REF SETTINGS | |
| 2.00mm ² or 14 AWG | 1.85 ± 0.05 [.073 ± .002 IN] | B1 | |
| 1.25mm ² or 16 AWG | 1.61 ± 0.05 [.063 ± .002 IN] | D3 | |
| 0.75/0.85mm ² or 18 AWG | 1.49 ± 0.05 [.059 ± .002 IN] | D9 | |
| 0.50mm ² or 20 AWG | 1.39 ± 0.05 [.055 ± .002 IN] | E6 | |

- △ RECOMMENDED SPARE PARTS.
- GREASE RAM, CAM, CAM FOLLOWER AND FEED ROD LIGHTLY.
 - CERTAIN TERMINALS REQUIRE LUBRICATION. REFER TO THE APPLICATOR INSTRUCTION SHEET FOR MORE INFORMATION.
 - LUBRICATE DAILY PER THE APPLICATOR INSTRUCTION SHEET SUPPLIED WITH THE APPLICATOR.
 - ITEM 53, CUT TO LENGTH AT ASSEMBLY.

* WARNING
ON INSTALLATION, SET WIRE DISC TO LARGEST WIRE SIZE SETTING. USE OF SETTINGS BELOW MIN. REQUIRED CRIMP HEIGHT SETTING WILL CAUSE DAMAGE TO CRIMP TOOLING.



| SET UP GAGE | | LOC | DIST | REVISIONS | | | | |
|-------------|--|-----|------|-----------|-------------------|-----------|----|------|
| 458637-3 | | A | 66 | REV | DESCRIPTION | DATE | BY | APPV |
| | | | | A | SEE ECO-07-001917 | 24JAN2007 | DP | MC |

| | | | | | | | | | | |
|---|---|---|---|---|---|---|---|-------------|---------------------------------|----|
| - | - | - | - | - | - | - | - | - | 73 | |
| - | - | - | - | - | - | - | - | - | 72 | |
| - | 1 | 1 | 1 | 1 | 1 | 1 | 1 | 1338705-3 | DOCUMENTATION PACKAGE | 71 |
| - | - | - | - | - | - | - | - | - | - | 70 |
| - | - | - | - | - | - | - | - | - | - | 69 |
| - | - | - | - | - | - | - | - | - | - | 68 |
| - | 1 | 1 | 1 | 1 | 1 | 1 | 1 | 461264-5 | PLATE, IDENTIFICATION | 67 |
| - | 2 | 2 | 2 | 2 | 2 | 2 | 2 | 21017-2 | SCREW, DRIVE | 66 |
| - | - | - | - | - | - | - | - | - | - | 65 |
| - | - | - | - | - | - | - | - | - | - | 64 |
| - | 1 | 1 | 1 | 1 | 1 | 1 | 1 | 3-18031-0 | SCR, SET, CUP POINT M6 X 6.0 | 63 |
| - | - | - | - | - | - | - | - | - | - | 62 |
| - | 2 | 2 | 2 | 2 | 2 | 2 | 2 | 2-18032-5 | SCR, SET, FLT POINT M5 X 20.0 | 61 |
| - | 1 | 1 | 1 | 1 | 1 | 1 | 1 | 18024-7 | SCR, BTN SKT HD CAP (M4 X 10.0) | 60 |
| - | 1 | 1 | 1 | 1 | 1 | 1 | 1 | 5-18022-2 | SCR, HEX HD CAP M4 X 8.0 | 59 |
| - | - | - | - | - | - | - | - | - | - | 58 |
| - | - | - | - | - | - | - | - | - | - | 57 |
| - | 1 | 1 | 1 | 1 | 1 | 1 | 1 | 1338685-1 | PAWL, FEED | 56 |
| - | - | - | - | - | - | - | - | - | - | 55 |
| - | 4 | 4 | 4 | 4 | 4 | 4 | 4 | 18024-8 | SCR, BTN SKT HD CAP (M4 X 12.0) | 54 |
| - | 2 | 2 | 2 | 2 | 2 | 2 | 2 | 1-18023-3 | SCR, SKT HD CAP M4 X 16.0 | 53 |
| - | 1 | 1 | 1 | 1 | 1 | 1 | 1 | 18030-1 | NUT, HEX, REG M3 | 52 |
| - | 1 | 1 | 1 | 1 | 1 | 1 | 1 | 811242-5 | BUMPER, HOLD DOWN | 51 |
| - | 1 | 1 | 1 | 1 | 1 | 1 | 1 | 690753-2 | SPACER, TONKER | 50 |
| - | 1 | 1 | 1 | 1 | 1 | 1 | 1 | 18024-3 | SCR, BTN SKT HD CAP (M3 X 10.0) | 49 |
| - | - | - | - | - | - | - | - | - | - | 48 |
| - | - | - | - | - | - | - | - | 1338675-1 | CAM, UNIVERSAL PRE FEED | 47 |
| - | - | - | - | - | - | - | - | 1338676-1 | CAM, UNIVERSAL POST-FEED | 46 |
| - | 1 | 1 | 1 | 1 | 1 | 1 | 1 | 1320999-3 | APPLICATOR SUBASSEMBLY, HDI | 45 |
| - | 1 | 1 | 1 | 1 | 1 | 1 | 1 | 690191-1 | PLUG, NYLON | 44 |
| - | 1 | 1 | 1 | 1 | 1 | 1 | 1 | 1338660-1 | RAM | 43 |
| - | - | - | - | - | - | - | - | - | - | 42 |
| - | - | - | - | - | - | - | - | - | - | 41 |
| - | 1 | 1 | 1 | 1 | 1 | 1 | 1 | 2-18024-6 | SCR, BTN SKT HD CAP (M8 X 25.0) | 40 |
| - | - | - | - | - | - | - | - | - | - | 39 |
| - | - | - | - | - | - | - | - | 690125-1 | SHIM SUB-ASSY | 38 |
| - | - | - | - | - | - | - | - | 469367-2 | SHIM | 37 |
| - | - | - | - | - | - | - | - | 879103-2 | FINE ADJUST HEAD ASSEMBLY | 36 |
| - | - | - | - | - | - | - | - | - | - | 35 |
| - | 1 | 1 | 1 | 1 | 1 | 1 | 1 | 1-1320934-6 | SUPPORT, TERMINAL | 34 |
| - | 2 | 2 | 2 | 2 | 2 | 2 | 2 | 1-18024-0 | SCR, BTN SKT HD CAP (M4 X 20.0) | 33 |
| - | 1 | 1 | 1 | 1 | 1 | 1 | 1 | 18027-2 | WASHER, FLAT, REG M4 | 32 |
| - | 1 | 1 | 1 | 1 | 1 | 1 | 1 | 1-18023-2 | SCR, SKT HD CAP M4 X 12.0 | 31 |
| - | 1 | 1 | 1 | 1 | 1 | 1 | 1 | 1-1320908-2 | SPACER, STRIP GUIDE | 30 |
| - | 1 | 1 | 1 | 1 | 1 | 1 | 1 | 1633073-1 | STRIP GUIDE ASSEMBLY | 29 |
| - | 1 | 1 | 1 | 1 | 1 | 1 | 1 | 1-455888-5 | SPACER, CRIMPER | 28 |
| - | 2 | 2 | 2 | 2 | 2 | 2 | 2 | 1-22284-0 | SPRING, COMPRESSION | 27 |
| - | 1 | 1 | 1 | 1 | 1 | 1 | 1 | 356835-1 | LEVER, DRAG RELEASE | 26 |
| - | 1 | 1 | 1 | 1 | 1 | 1 | 1 | 240792-1 | DRAG, TERMINAL | 25 |
| - | 1 | 1 | 1 | 1 | 1 | 1 | 1 | 1320928-2 | PLATE, STRIP GUIDE | 24 |
| - | 1 | 1 | 1 | 1 | 1 | 1 | 1 | 980371-4 | SCR, SKT HD SHLDR 5.0 DIA X 6.0 | 23 |
| - | 1 | 1 | 1 | 1 | 1 | 1 | 1 | 690472-2 | STRIPPER | 22 |
| - | 1 | 1 | 1 | 1 | 1 | 1 | 1 | 1-18023-1 | SCR, SKT HD CAP M4 X 10.0 | 21 |
| - | 4 | 4 | 4 | 4 | 4 | 4 | 4 | 18025-2 | WASHER, SPRG LOCK, REG M4 | 20 |
| - | - | - | - | - | - | - | - | 690472-1 | STRIPPER | 19 |
| - | - | - | - | - | - | - | - | - | - | 18 |
| - | 1 | 1 | 1 | 1 | 1 | 1 | 1 | 1338684-1 | SHEAR HOLDER, FRONT | 17 |
| - | - | - | - | - | - | - | - | - | - | 16 |
| - | - | - | - | - | - | - | - | - | - | 15 |
| - | - | - | - | - | - | - | - | - | - | 14 |
| - | - | - | - | - | - | - | - | - | - | 13 |
| - | 1 | 1 | 1 | 1 | 1 | 1 | 1 | 3-22280-3 | SPRING, COMPRESSION | 12 |
| - | 1 | 1 | 1 | 1 | 1 | 1 | 1 | 356885-4 | STOP, SHEAR | 11 |
| - | 1 | 1 | 1 | 1 | 1 | 1 | 1 | 1320921-1 | SHEAR HOLDER, FRONT, CUT | 10 |
| - | 1 | 1 | 1 | 1 | 1 | 1 | 1 | 454276-1 | FLOATING SHEAR, FRONT | 9 |
| - | 1 | 2 | 2 | 2 | 1 | 1 | 1 | 1-1633134-1 | ANVIL, COMBINATION .110 | 8 |
| - | 1 | 1 | 1 | 1 | 1 | 1 | 1 | 240641-7 | SPACER | 7 |
| - | - | - | - | - | - | - | - | - | - | 6 |
| - | 1 | 1 | 1 | 1 | 1 | 1 | 1 | 3-455889-6 | DEPRESSOR, SHEAR | 5 |
| - | 1 | 1 | 1 | 1 | 1 | 1 | 1 | 238011-7 | BLOCK, CRIMPER SPACER | 4 |
| - | 1 | 2 | 2 | 2 | 1 | 1 | 1 | 4-456134-3 | CRIMPER, INSULATION F PREMIUM | 3 |
| - | 1 | 1 | 1 | 1 | 1 | 1 | 1 | 1-455888-0 | SPACER, CRIMPER | 2 |
| - | 1 | 2 | 2 | 2 | 1 | 1 | 1 | 4-456408-3 | CRIMPER, WIRE PREMIUM | 1 |

| ITEM NO | DESCRIPTION | ITEM NO |
|---------|------------------------------|-------------|
| - | - | 84 |
| - | - | 83 |
| - | - | 82 |
| - | - | 81 |
| - | - | 80 |
| - | - | 79 |
| - | - | 78 |
| - | - | 77 |
| - | - | 76 |
| - | - | 75 |
| - | - | 74 |
| -77 | -76 -72 -71 -6 -2 -1 PART NO | DESCRIPTION |

| DIMENSIONS: mm [IN] | | TOLERANCES UNLESS OTHERWISE SPECIFIED: | |
|-----------------------|---|--|---|
| 0 PLC | ± | 0.13 | ± |
| 1 PLC | ± | 0.25 | ± |
| 2 PLC | ± | 0.38 | ± |
| 3 PLC | ± | 0.51 | ± |
| 4 PLC | ± | 0.64 | ± |