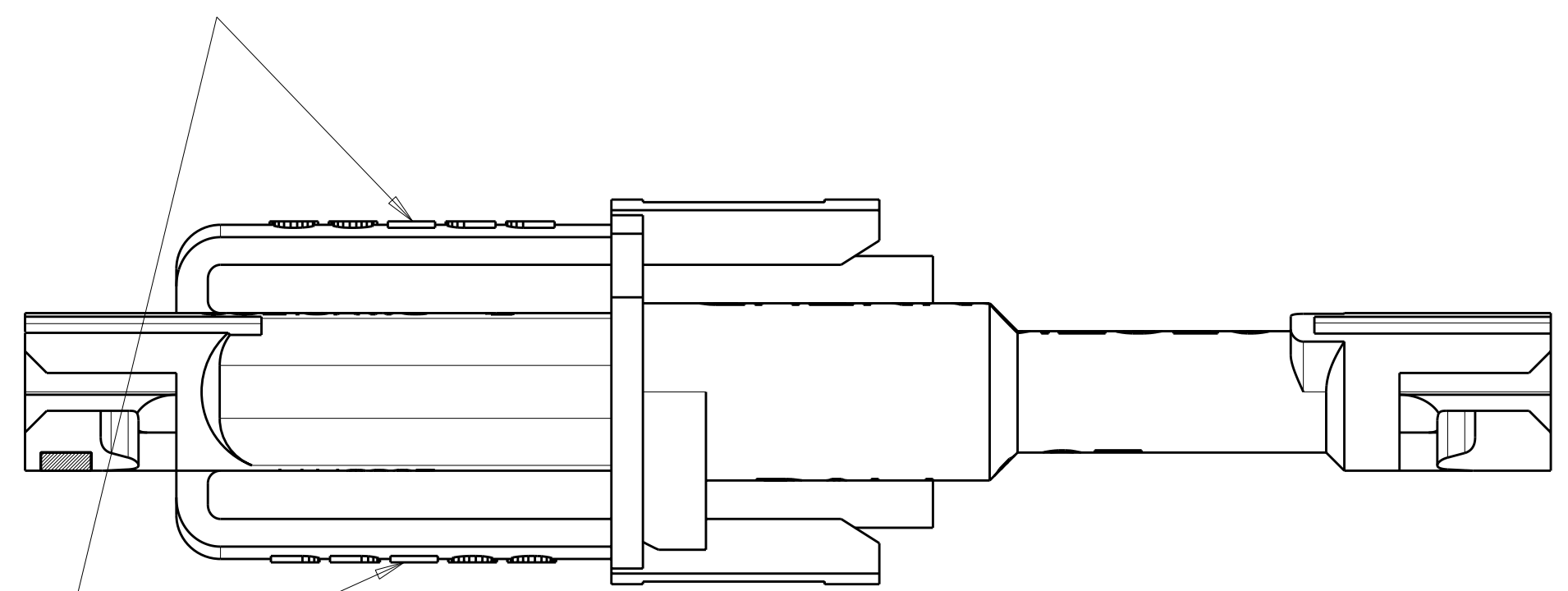
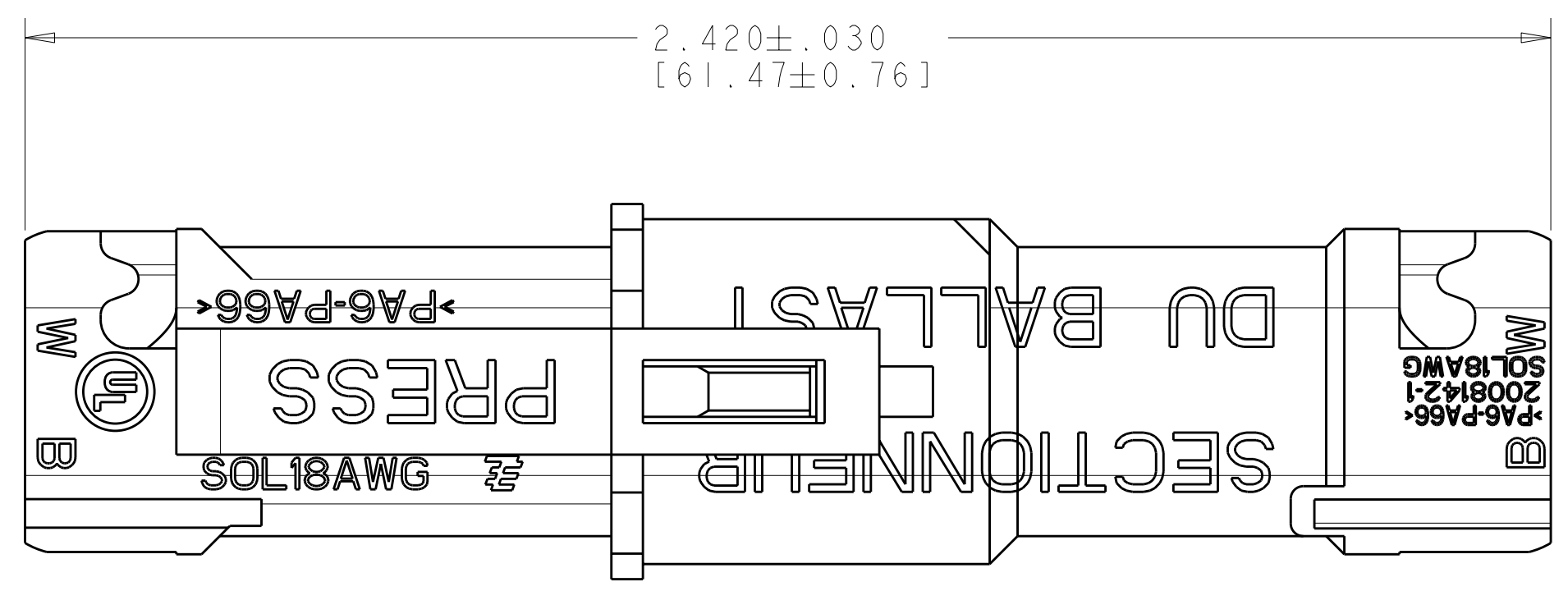
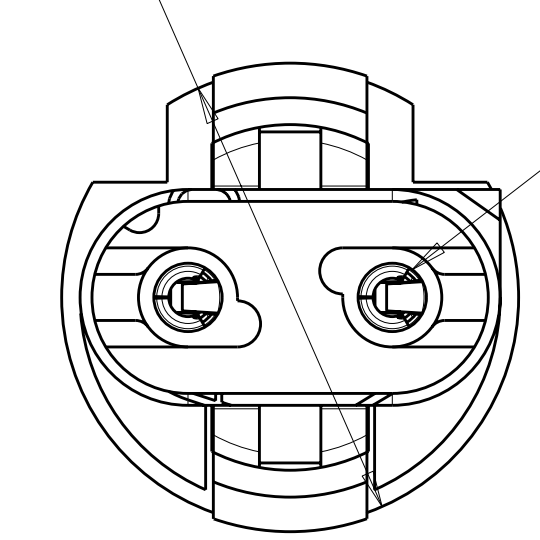


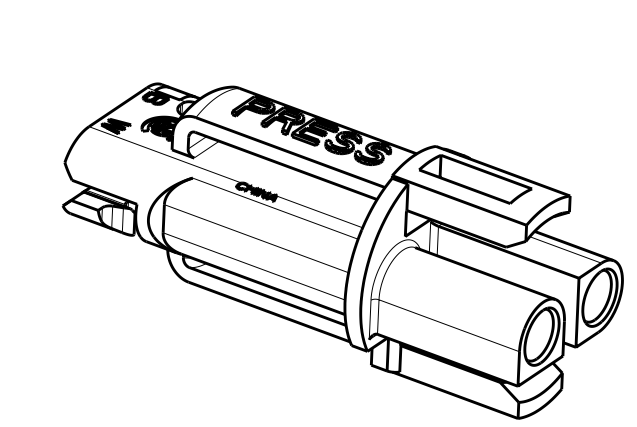
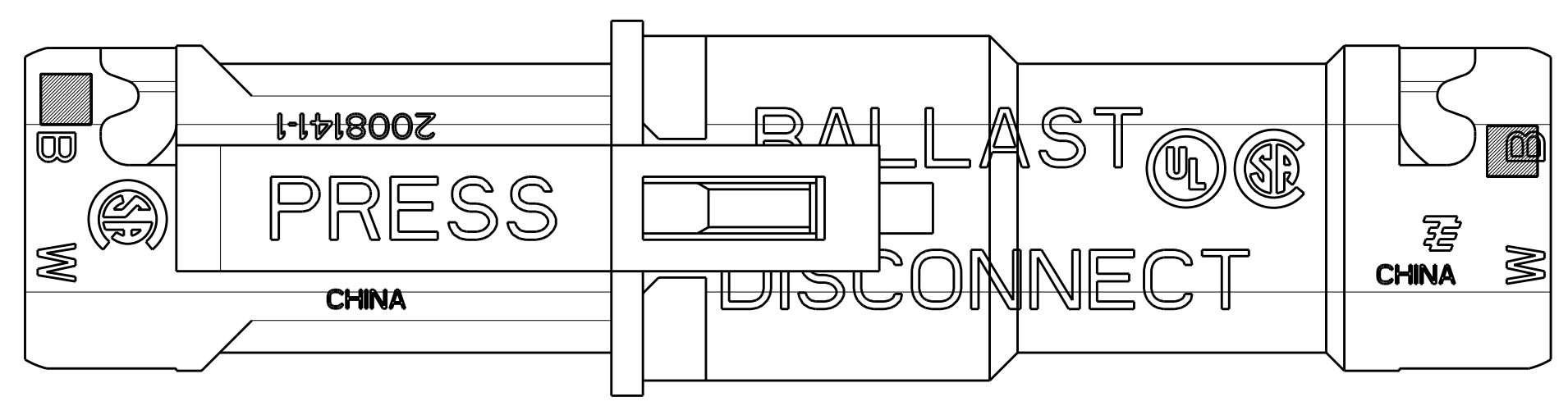
LOC	DIST	REVISIONS			
REV	DATE	DESCRIPTION	DATE	DWN	APVD
AF	50	A1	REVISED PER ECO-11-005027	14MAR2011	RK HMR



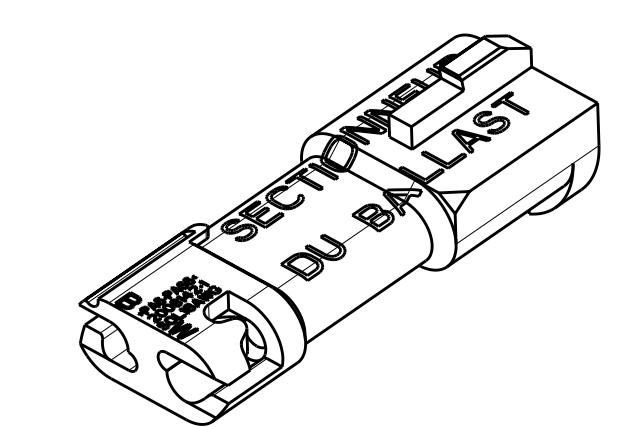
Ø .595 ± .010
[15.11 ± 0.25]



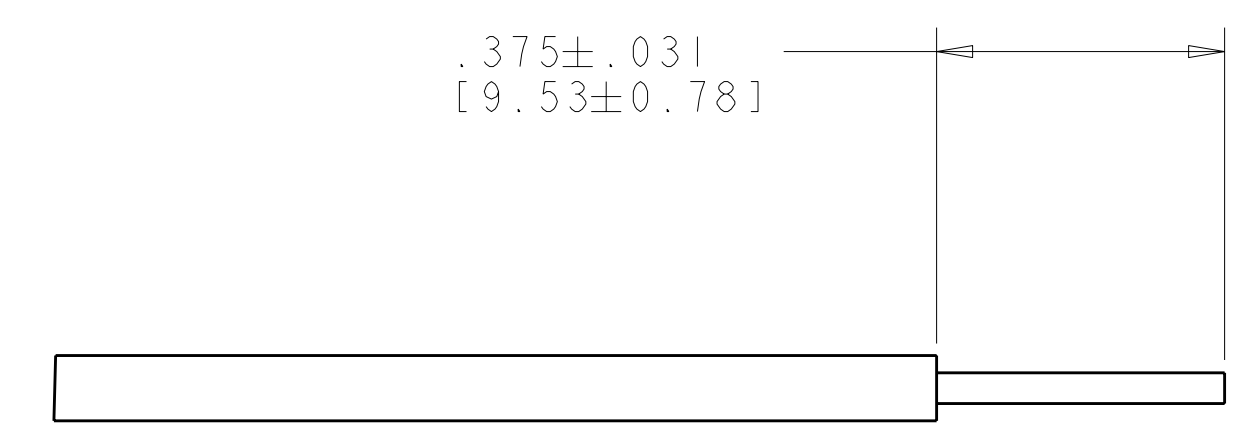
ACCEPTS 18 AWG SOLID WIRE
WITH .086 [2.18] MAX INSULATION DIAMETER
BOTH CONNECTORS



PLUG CONNECTOR ASSEMBLY



RECEPTACLE CONNECTOR ASSEMBLY



RECOMMENDED WIRE STRIP LENGTH

2008144-1
PART NUMBER

THIS DRAWING IS A CONTROLLED DOCUMENT.		DWN C. DAILY 23APR2007	TE Connectivity	
DIMENSIONS: IN [mm]		CHK J. LANDIS 23APR2007	NAME ASSEMBLY, MATED PAIR, 2 POSITION PLUG AND RECEPTACLE PT, LIGHT-N-LOK	
TOLERANCES UNLESS OTHERWISE SPECIFIED:		APVD	PRODUCT SPEC 108-2275	RESTRICTED TO
9 PLC ±		APVD	APPLICATION SPEC 114-13204	SCALE 2:1 SHEET 1 OF 1 REV A1
3 PLC ±		APVD	WEIGHT	
5 PLC ±		APVD	CUSTOMER DRAWING	
4 PLC ±		APVD		
ANGLES ±		APVD		
FINISH ±		APVD		