

THIS DRAWING IS UNPUBLISHED.

RELEASED FOR PUBLICATION

ALL RIGHTS RESERVED.

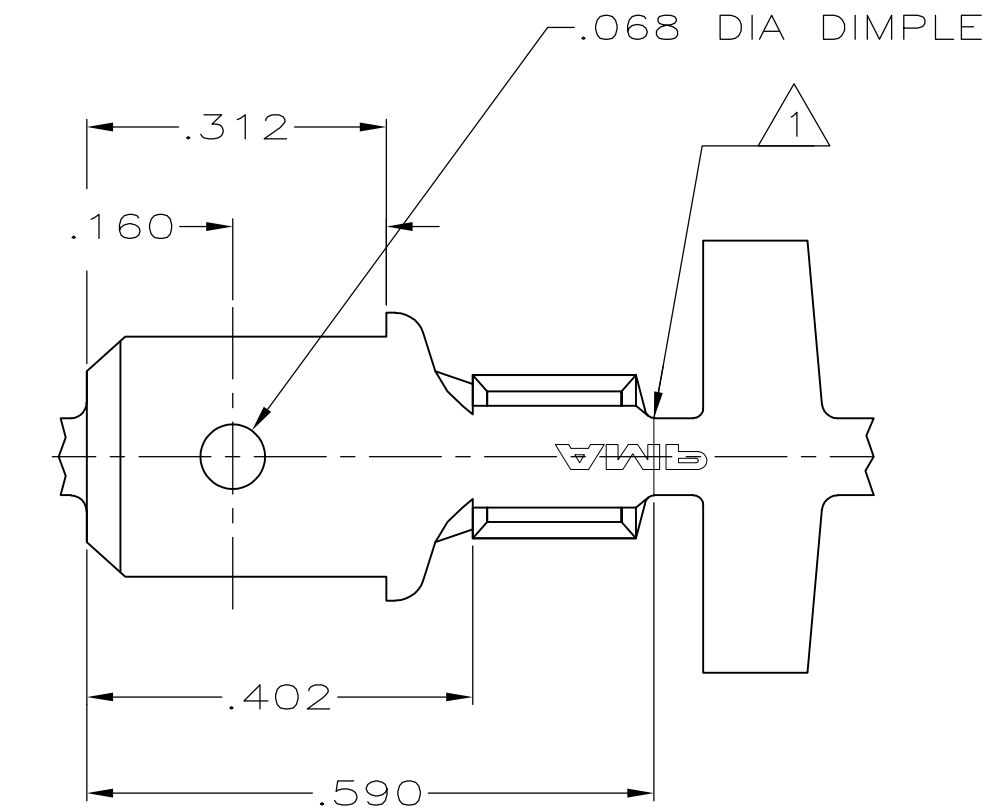
© COPYRIGHT - By -

LOC
AF

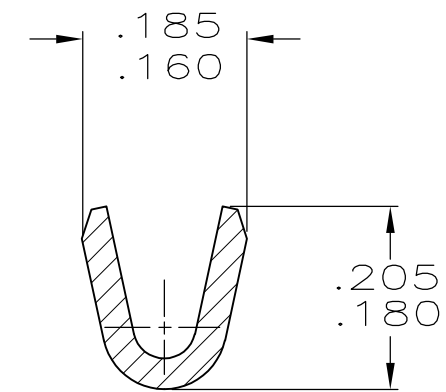
DIST
50

REVISIONS

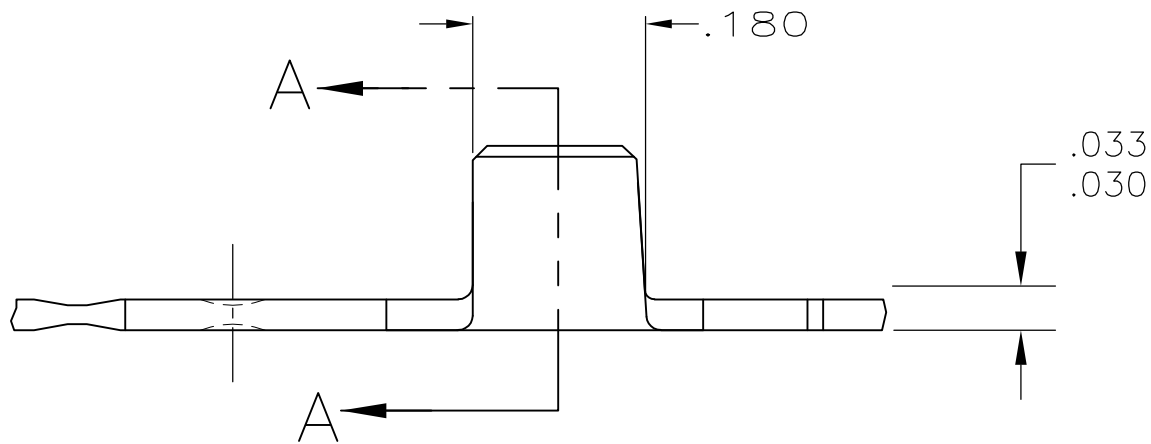
P	LTR	DESCRIPTION	DATE	DWN	APVD
	J	REVISED PER ECR-13-011489	05DEC2013	KH	PD



- 1 CUT-OFF IN APPLICATOR
- 2 CONTINUOUS STRIP ON REELS.
- 3 WIRE SIZE TO BE #18-#14 AWG.



SECTION A-A



61367-3

PART NO.

THIS DRAWING IS A CONTROLLED DOCUMENT.

DWN JR RUTH 4/1/96

CHK MS FEHER 4/1/96

APVD V KARABCIEVSKY 4/1/96

PRODUCT SPEC

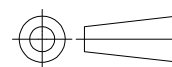
APPLICATION SPEC

WEIGHT -

CUSTOMER DRAWING

DIMENSIONS:
INCHES

TOLERANCES UNLESS
OTHERWISE SPECIFIED:



0 PLC	± -
1 PLC	± -
2 PLC	± -
3 PLC	± .015
4 PLC	± -
ANGLES	± -

MATERIAL
BRASS

FINISH
TIN

STE TE Connectivity

NAME

TAB, FASTON, .250 SERIES

SIZE CAGE CODE DRAWING NO RESTRICTED TO

A3 00779 C-61367

SCALE 5:1 SHEET 1 OF 1 REV J