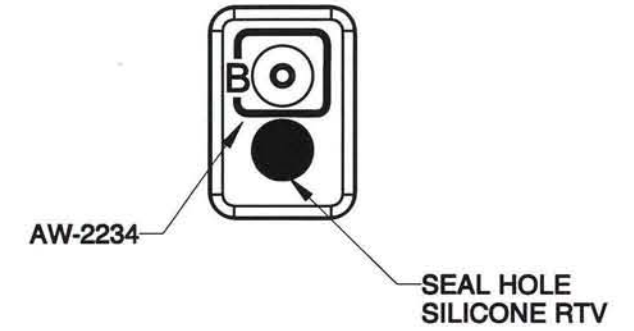
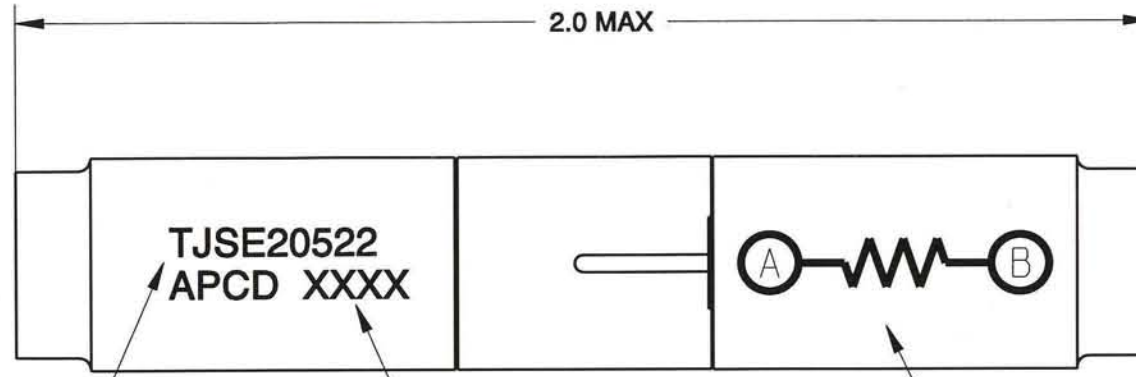
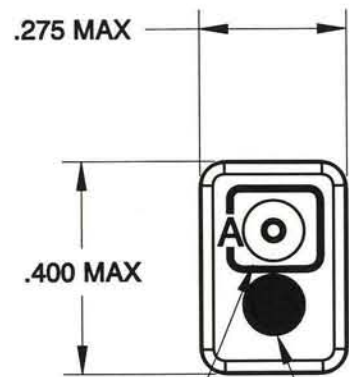


TJSE20522

REV	ECN	DESCRIPTION	APP'D
-	5831	RELEASE	3-22-06

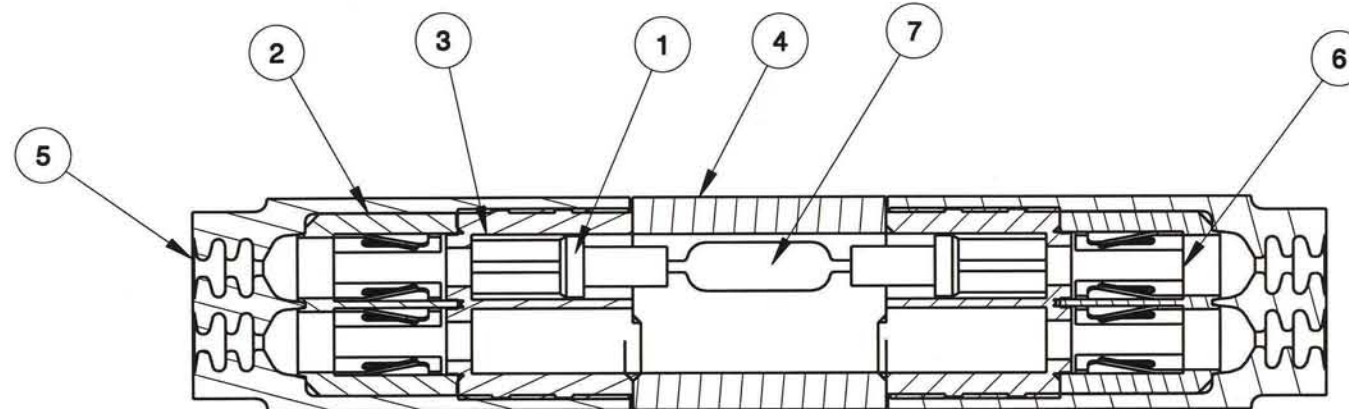


AW-2216
SEAL HOLE
SILICONE RTV

WHITE MARKING
.06 HT

DATE CODE

AW-2341



SECTION A-A

NOTES:

1. MATERIALS:
HOUSING: POLYETHERIMIDE, COLOR BLACK
GROMMET: SILICONE ELASTOMER, COLOR BLUE
INTERNAL CONTACT: COPPER ALLOY, GOLD PLATED,
PER MIL-G-45204, TYPE I, GRADE C, CLASS I.
CONTACT RETAINER: STAINLESS STEEL
2. SPLICE ACCEPTS (2) MATING M39029/1-101 CONTACTS
(NOT INCLUDED)
3. PART COMPLIES TO ALL REQUIREMENTS PER MIL-T-81714.
4. RESISTOR: 2K Ω , 1W

ID	PART #	DESCRIPTION	QTY
1	210210000	CONTACT TJE SZ 16/20	2
2	220019200	END CAP SIZE 22/20 DOUBLE SPLICE	2
3	220019400	MIDDLE HOUSING SIZE 22/20 DOUBLE SPLICE	2
4	220019410	MIDDLE HOUSING SIZE 20/22 TJSE BUSSED	1
5	270005401	GROMMET TJS SIZE 20/22 DOUBLE	2
6	310000101	CONTACT RETAINER, SIZE 20	4
7	320001520	RESISTOR, 2K OHM, 1W, G0012K000FS7080	1

DIMENSIONS	TOLERANCES	PROJECTION	Amphenol Pcd
ANSI Y14.5M UNITS: INCHES Pro/E FILE	.XX ± 0.01 .XXX ± 0.005 ANGLES $\pm 2.0^\circ$		ENGR D. LANG 03/21/06 CHKD APPD <i>Paul TC 3/24/06</i>
ORIGINAL NOT FOR CUSTOMER DISTRIBUTION	THIS DOCUMENT CONTAINS PROPRIETARY INFORMATION WHICH IS THE CONFIDENTIAL PROPERTY OF AMPHENOL PCD INC., PEABODY, MA		

TITLE			
WIRE SPLICE, ELECTRONIC RESISTOR, 2K Ω , 1/4W SIZE 20			
SIZE	DWG NO.	REV	
B	TJSE20522	-	
CODE: 58982	SCALE: 3:1	SHEET 1 OF 1	

TJSE20522

TJSE20522