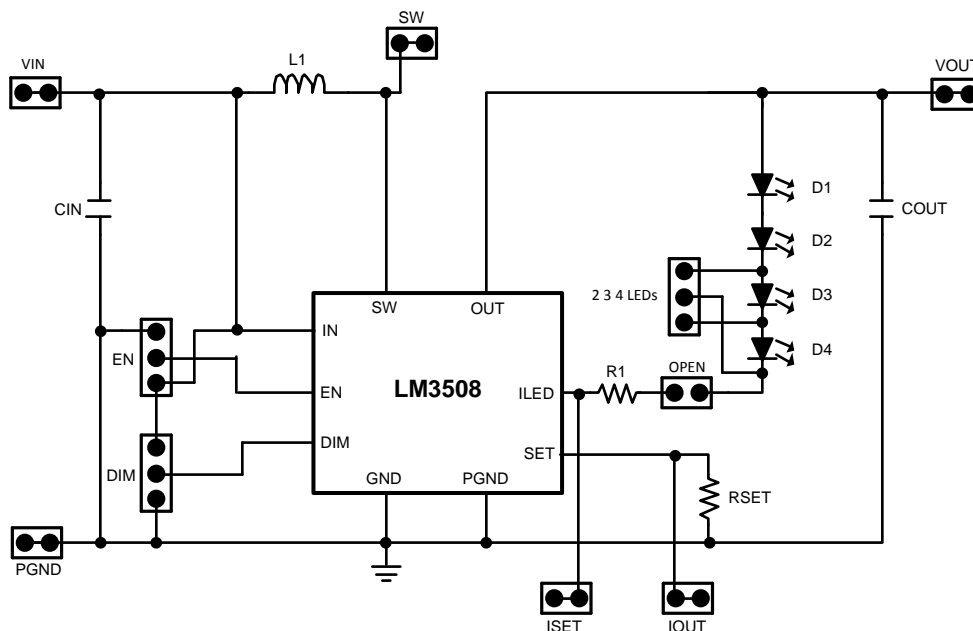


## AN-1593 LM3508 Evaluation Board

### 1 Introduction

The LM3508 is a synchronous step-up DC/DC converter designed for white LED applications. The evaluation board is set up to drive four standard  $V_F$  white LEDs from a 2.7 V to 5.5 V input supply. A fifth LED can be placed across the R1 pad for testing up to five low  $V_F$  LEDs. The LED current is set using the RSET resistor via the equation  $I_{LED} = 0.2V/RSET$ . The evaluation board comes with RSET = 10  $\Omega$  for approximately 20 mA LED current. LED dimming is achieved by applying a PWM waveform of up to 100 kHz to the DIM pin.

### 2 Schematic



### 3 Bill of Materials

Designator	Component	Part Number	Manufacturer
U1	LM3508TL, $\mu$ SMD 9-bump	LM3508	National Semiconductor
L	22 $\mu$ H, ISAT = 330 mA	VLF3010AT-220MR33	TDK
CIN	1 $\mu$ F, 10V Ceramic	C1608JB1A105M	TDK
COUT	1 $\mu$ F, 25V Ceramic C3216X7R1E105K	C1608JB1E105M	TDK
D1–D3	White LED	LW M67C	Osram
R1	0 $\Omega$ Resistor	CRCW0603	Vishay
R1	10 $\Omega$ Resistor	CRCW060310R0F	Vishay

All trademarks are the property of their respective owners.

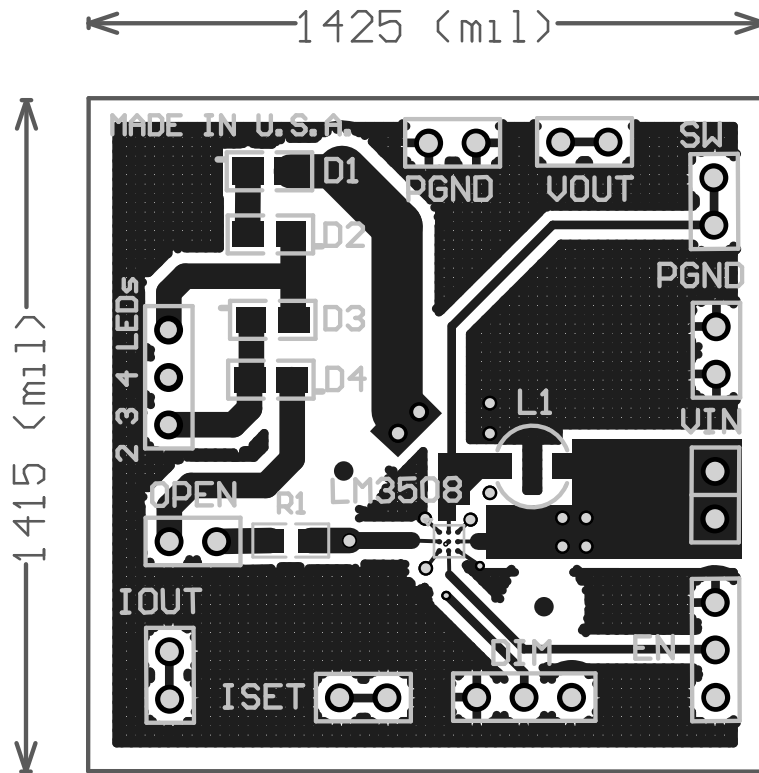


Figure 1. LM3508 Evaluation Board Layout Topside

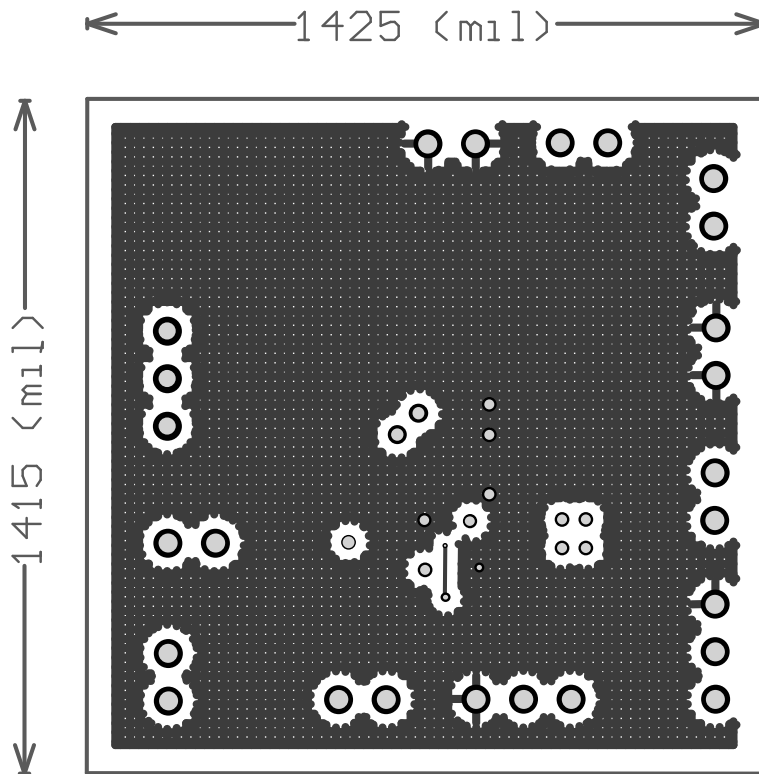


Figure 2. LM3508 Evaluation Board Layout Mid Layer 1

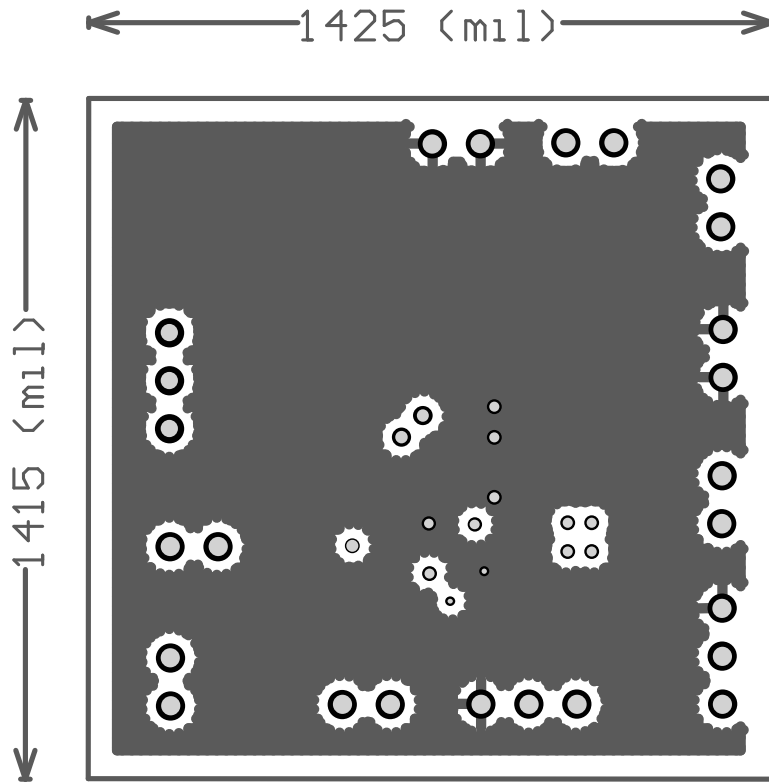


Figure 3. LM3508 Evaluation Board Layout Mid Layer 2

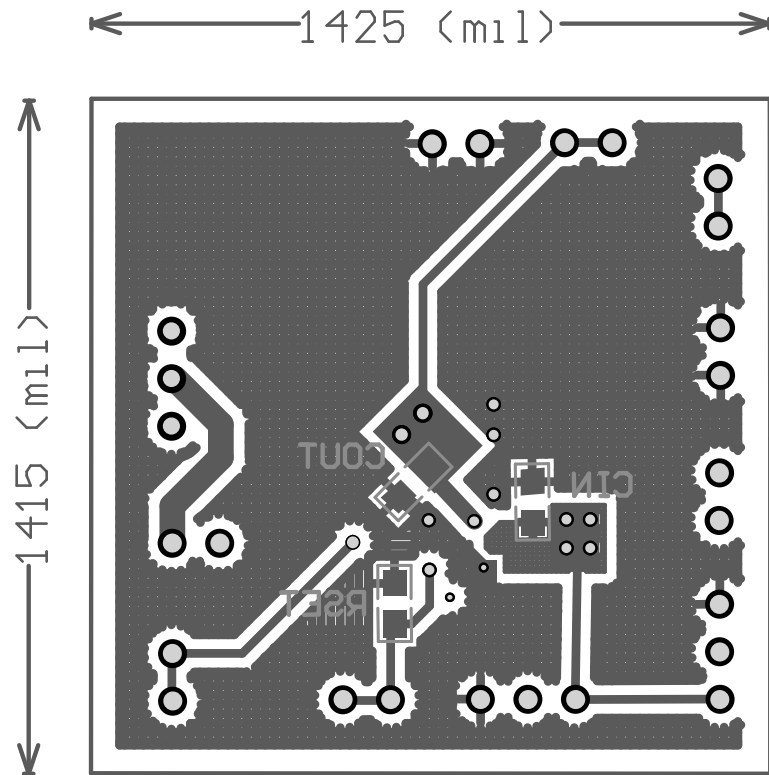


Figure 4. LM3508 Evaluation Board Layout Bottom Side

## 4 Board Operation

To operate the LM3508 evaluation board, connect a 2.7 V to 5.5 V supply between the VIN header and PGND.

## 5 Jumper Connections

- EN is a 3-position jumper (see the bottom right jumper in [Figure 2](#)). The middle pin connects to EN of the device. The top pin of the EN header connects to PGND (device disabled) and the bottom pin connects to the VIN (device enabled).
- DIM is a 3-position header (see [Figure 2](#)). The middle pin connects to DIM of the LM3508. The left pin of the DIM header connects to PGND (current source off). The right pin connects to VIN (current source on with max LED current of 20 mA). Drive DIM with aPWM waveform ( $V_H > 1.1V$ ,  $V_L < 0.5V$ ) at up to 100 kHz to adjust the LED brightness.
- 2 3 4 LEDs is a 3-position header (see [Figure 2](#)). Leave open to configure the board for four series LEDs. Place a jumper across the top and middle pin to short D3 and D4 (2 LED solution). Place a jumper across the bottom and middle pin to short only D4 (3 LED solution).
- The OPEN header opens the current path from the cathode of D4 and the input to the current source. Normally this is shorted. This is for demonstrating OVP and/or disconnecting the LEDs.

R1 is a short ( $0\ \Omega$ ), which can be replaced with a sense resistor for measuring the LED current or replaced with a fifth LED for evaluation of low VF LEDs. EN has an internal  $383\ k\Omega$  pull-down resistor which places the part in shutdown by default. DIM also has an internal  $383\ k\Omega$  pull-down resistor that turns off the current source by default. For more information regarding the operation of the LM3508, see the LM3508 data sheet.

## IMPORTANT NOTICE

Texas Instruments Incorporated and its subsidiaries (TI) reserve the right to make corrections, enhancements, improvements and other changes to its semiconductor products and services per JESD46, latest issue, and to discontinue any product or service per JESD48, latest issue. Buyers should obtain the latest relevant information before placing orders and should verify that such information is current and complete. All semiconductor products (also referred to herein as "components") are sold subject to TI's terms and conditions of sale supplied at the time of order acknowledgment.

TI warrants performance of its components to the specifications applicable at the time of sale, in accordance with the warranty in TI's terms and conditions of sale of semiconductor products. Testing and other quality control techniques are used to the extent TI deems necessary to support this warranty. Except where mandated by applicable law, testing of all parameters of each component is not necessarily performed.

TI assumes no liability for applications assistance or the design of Buyers' products. Buyers are responsible for their products and applications using TI components. To minimize the risks associated with Buyers' products and applications, Buyers should provide adequate design and operating safeguards.

TI does not warrant or represent that any license, either express or implied, is granted under any patent right, copyright, mask work right, or other intellectual property right relating to any combination, machine, or process in which TI components or services are used. Information published by TI regarding third-party products or services does not constitute a license to use such products or services or a warranty or endorsement thereof. Use of such information may require a license from a third party under the patents or other intellectual property of the third party, or a license from TI under the patents or other intellectual property of TI.

Reproduction of significant portions of TI information in TI data books or data sheets is permissible only if reproduction is without alteration and is accompanied by all associated warranties, conditions, limitations, and notices. TI is not responsible or liable for such altered documentation. Information of third parties may be subject to additional restrictions.

Resale of TI components or services with statements different from or beyond the parameters stated by TI for that component or service voids all express and any implied warranties for the associated TI component or service and is an unfair and deceptive business practice. TI is not responsible or liable for any such statements.

Buyer acknowledges and agrees that it is solely responsible for compliance with all legal, regulatory and safety-related requirements concerning its products, and any use of TI components in its applications, notwithstanding any applications-related information or support that may be provided by TI. Buyer represents and agrees that it has all the necessary expertise to create and implement safeguards which anticipate dangerous consequences of failures, monitor failures and their consequences, lessen the likelihood of failures that might cause harm and take appropriate remedial actions. Buyer will fully indemnify TI and its representatives against any damages arising out of the use of any TI components in safety-critical applications.

In some cases, TI components may be promoted specifically to facilitate safety-related applications. With such components, TI's goal is to help enable customers to design and create their own end-product solutions that meet applicable functional safety standards and requirements. Nonetheless, such components are subject to these terms.

No TI components are authorized for use in FDA Class III (or similar life-critical medical equipment) unless authorized officers of the parties have executed a special agreement specifically governing such use.

Only those TI components which TI has specifically designated as military grade or "enhanced plastic" are designed and intended for use in military/aerospace applications or environments. Buyer acknowledges and agrees that any military or aerospace use of TI components which have **not** been so designated is solely at the Buyer's risk, and that Buyer is solely responsible for compliance with all legal and regulatory requirements in connection with such use.

TI has specifically designated certain components as meeting ISO/TS16949 requirements, mainly for automotive use. In any case of use of non-designated products, TI will not be responsible for any failure to meet ISO/TS16949.

### Products

Audio	<a href="http://www.ti.com/audio">www.ti.com/audio</a>
Amplifiers	<a href="http://amplifier.ti.com">amplifier.ti.com</a>
Data Converters	<a href="http://dataconverter.ti.com">dataconverter.ti.com</a>
DLP® Products	<a href="http://www.dlp.com">www.dlp.com</a>
DSP	<a href="http://dsp.ti.com">dsp.ti.com</a>
Clocks and Timers	<a href="http://www.ti.com/clocks">www.ti.com/clocks</a>
Interface	<a href="http://interface.ti.com">interface.ti.com</a>
Logic	<a href="http://logic.ti.com">logic.ti.com</a>
Power Mgmt	<a href="http://power.ti.com">power.ti.com</a>
Microcontrollers	<a href="http://microcontroller.ti.com">microcontroller.ti.com</a>
RFID	<a href="http://www.ti-rfid.com">www.ti-rfid.com</a>
OMAP Applications Processors	<a href="http://www.ti.com/omap">www.ti.com/omap</a>
Wireless Connectivity	<a href="http://www.ti.com/wirelessconnectivity">www.ti.com/wirelessconnectivity</a>

### Applications

Automotive and Transportation	<a href="http://www.ti.com/automotive">www.ti.com/automotive</a>
Communications and Telecom	<a href="http://www.ti.com/communications">www.ti.com/communications</a>
Computers and Peripherals	<a href="http://www.ti.com/computers">www.ti.com/computers</a>
Consumer Electronics	<a href="http://www.ti.com/consumer-apps">www.ti.com/consumer-apps</a>
Energy and Lighting	<a href="http://www.ti.com/energy">www.ti.com/energy</a>
Industrial	<a href="http://www.ti.com/industrial">www.ti.com/industrial</a>
Medical	<a href="http://www.ti.com/medical">www.ti.com/medical</a>
Security	<a href="http://www.ti.com/security">www.ti.com/security</a>
Space, Avionics and Defense	<a href="http://www.ti.com/space-avionics-defense">www.ti.com/space-avionics-defense</a>
Video and Imaging	<a href="http://www.ti.com/video">www.ti.com/video</a>

### TI E2E Community

[e2e.ti.com](http://e2e.ti.com)