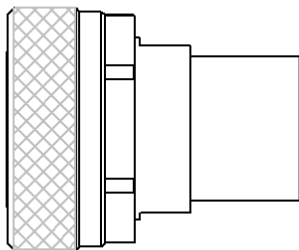
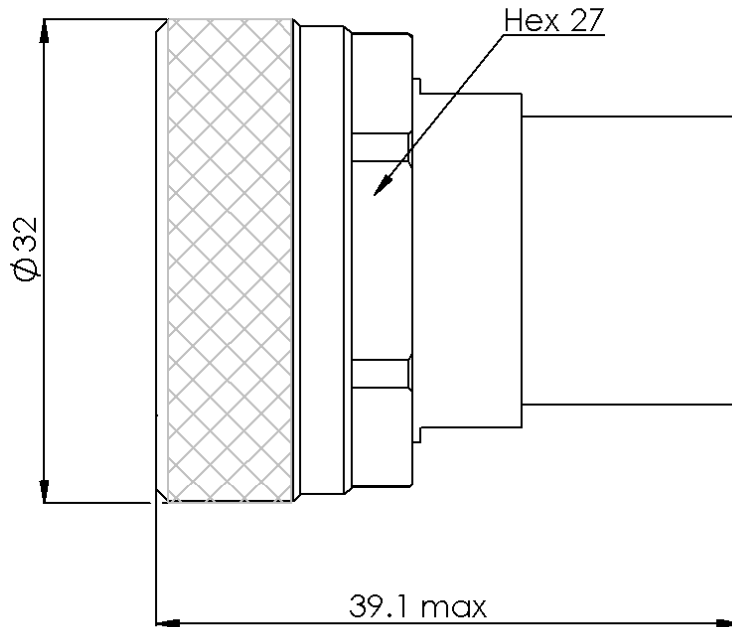


MALE 7/16 COAXIAL TERMINATION

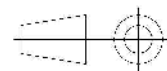
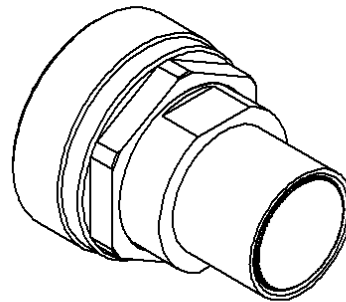
R404.170.111

DC - 4 GHZ , 2W

Series : **TERMINATION**



Scale 1/1



All dimensions are in mm.

COMPONENTS	MATERIALS	PLATING(µm)
BODY	BRASS	SILVER 3 OVER COPPER 0.5
CENTER CONTACT	BRASS	BBR 2
OUTER CONTACT	BRASS	SILVER 5 OVER COPPER 0.5
INSULATOR	PTFE	
GASKET	SILICONE RUBBER	
SUBSTRATE		
RESISTOR		
OTHERS PARTS		

Issue : 1249 D

In the effort to improve our products, we reserve the right to make changes judged to be necessary.



MALE 7/16 COAXIAL TERMINATION

R404.170.111

DC - 4 GHZ , 2W

Series : **TERMINATION**

ELECTRICAL CHARACTERISTICS

Frequency (GHz)	DC - 2	2 - 4
V.S.W.R (≤)	1.10	1.15

Operating Frequency Range	DC - 4	GHz
Impedance	50	Ω
DC Resistance	50	Ω ± 5%
Peak power at 25°C (1μs, 1%)	500	W
Average power at 25°C	2	W (Free Air Cooled)
		W (Conduction Cooled)

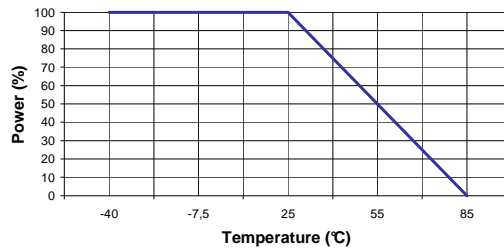
MECHANICAL CHARACTERISTICS

Connectors	7-16	Male	IEC 169-4
Weight	111,5800 g		

ENVIRONMENTAL CHARACTERISTICS

Operating temperature range	-40 / +85 °C
Storage temperature range	-40 / +85 °C

Power derating Versus temperature



SPECIFICATION

OTHER CHARACTERISTICS

Issue : 1249 D

In the effort to improve our products, we reserve the right to make changes judged to be necessary.

