

NOTES:

1.0 ELECTRICAL SPECIFICATIONS:

1.1 FREQUENCY RANGE: DC TO 4.0 GHz

1.2 INPUT POWER:

2 WATTS @ +25°C

0.5 WATTS @ +125°C

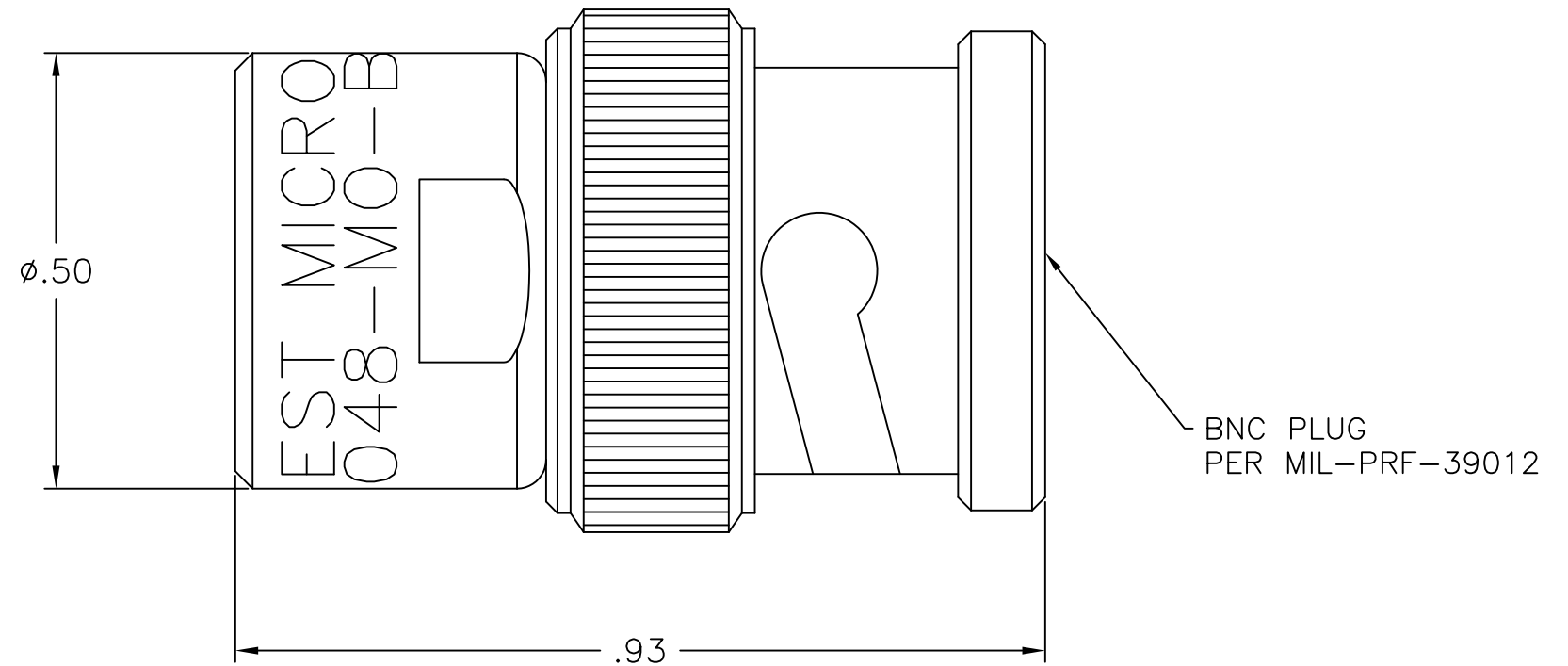
1.3 OPERATING TEMP RANGE: -55°C TO +125°C

1.4 IMPEDANCE: 50 OHMS

1.5 VSWR: 1.20:1 MAX

2.0 MARKING: (MARK UNIT AS SHOWN)

REF: INK-02638-27-04



NOTICE: The information contained in this drawing is proprietary and must not be used without the permission of Emerson Network Power. UNLESS OTHERWISE NOTED DIMENSIONS ARE IN INCHES AND TOLERANCES ARE: 3 PLACE DECIMALS ±.005 2 PLACE DECIMALS ±.02 FRACTIONS ±1/64 PARALLELITY: T.I.R. _____ FLATNESS: T.I.R. _____ CONCENTRICITY: T.I.R. _____ ANGLES AND PERPENDICULARITY: ±1°	CAGE CODE 34078	MIDWEST MICROWAVE	
			TITLE TERMINATION OUTLINE DRAWING
DRAWN/DATE A.BEATTY 9/24/91	ENG./DATE G.KOZAK 9/24/91	DRAWING NUMBER TRM-2048-MO-BNC-10-01	REV. C
CHECKED/DATE	APPROVED/DATE	SCALE: 5=1	SHEET 1 of 1

REV.	DESCRIPTION	DATE
-	RELEASED	3/21/79
A	ECR 6545 (RENUMBER)	6/29/89
B	ECN 10572	5/24/91
B1	REDRAW ON CAD	9/24/91
B2	ADDED TITLEBLOCK	10/26/05
C	ECO 23981	11/29/11