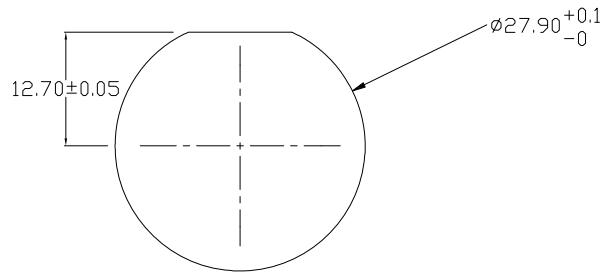
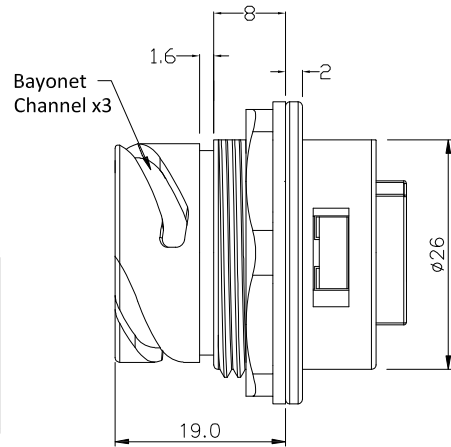
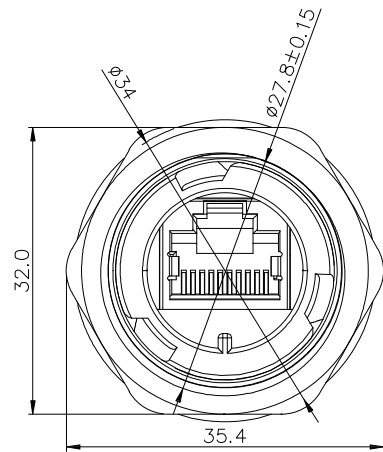
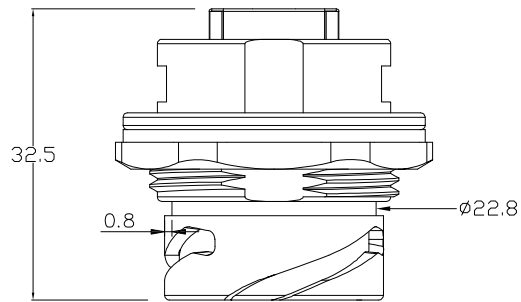
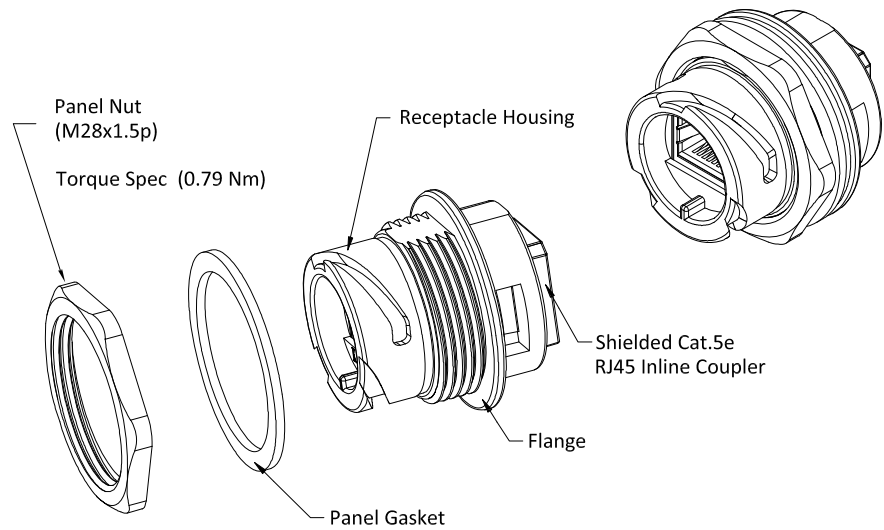


DESCRIPTION: IPRJ CONNECTOR - METAL



Panel Cut-Out



Electrical Specifications:

Meets EIA/TIA - 568 - B.2 Cat.5e Specification  
 Contact Resistance: 20 mOhm max  
 Insulation Resistance: 500 MOhm min @100V DC  
 Current Rating: 1.5A max  
 Voltage Rating: 100VDC  
 DWV: 1000V DC/60s min Contact to Contact, 1500V DC/60s Contact to Metal Shell  
 Operating Temperature: -40°C TO +85°C

Material and Finish:

Receptacle Housing: Zn Alloy 3, Nickel Plated  
 Panel Nut: Copper Alloy, Nickel Plated  
 Panel Gasket: Silicone  
 RJ45 Jack Metal Shell: Copper Alloy, Nickel Plated  
 RJ45 Jack Plastic Housing: Engineering Thermoplastic Flammability Rating UL94 V-0  
 Color: Black  
 RJ45 Jack Contact: Phosphor Bronze, finish: 50u" Gold over Nickel

Connector can be front mounted to a maximum panel thickness of 3.2mm.

RoHS COMPLIANT

UNITS = mm

DO NOT SCALE FROM DRAWING



THESE DRAWINGS AND SPECIFICATIONS ARE THE PROPERTY OF NorComp AND SHALL NOT BE REPRODUCED, COPIED OR USED AS THE BASIS FOR THE MANUFACTURE OR SALE OF APPARATUS WITHOUT WRITTEN PERMISSION.

DRAWN:  
**M. SIGMON**  
 DATE:  
 05/10/2013

**NorComp**

SCALE: NTS	SHEET 1	OF 1	REV 4
DWG NO.		IPRJCONN-M	