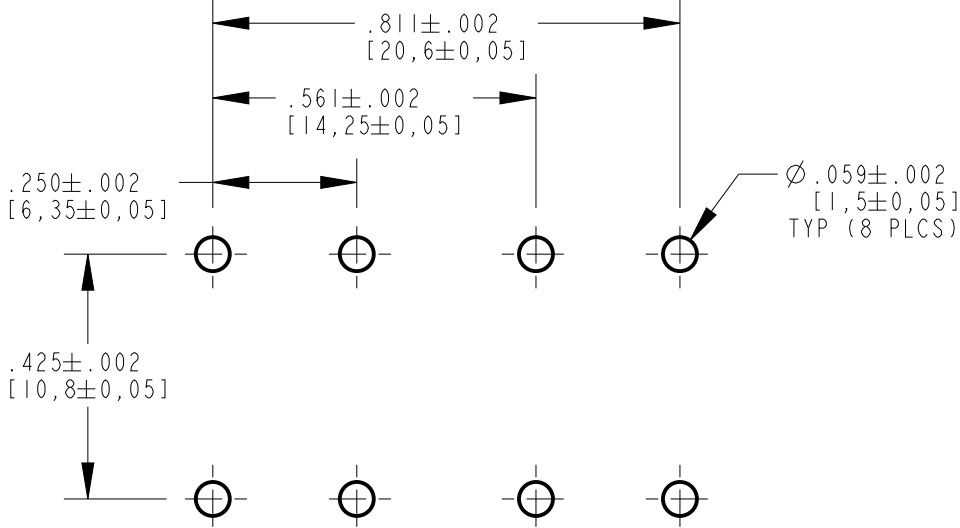
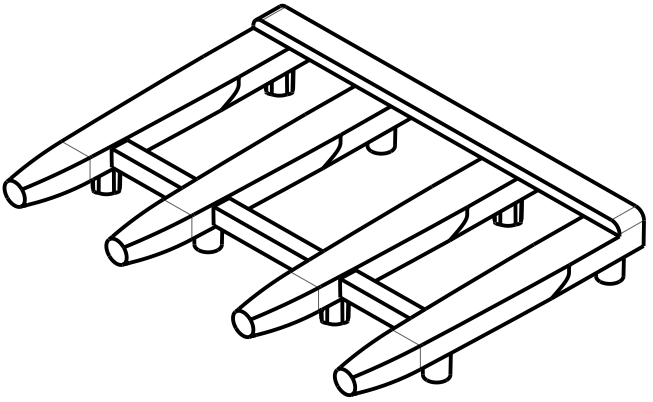
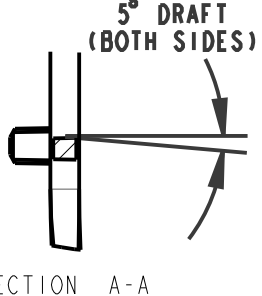
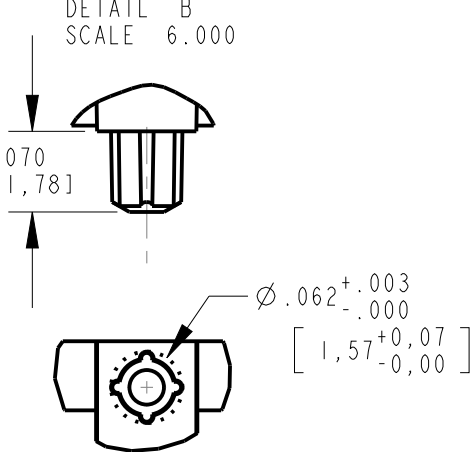
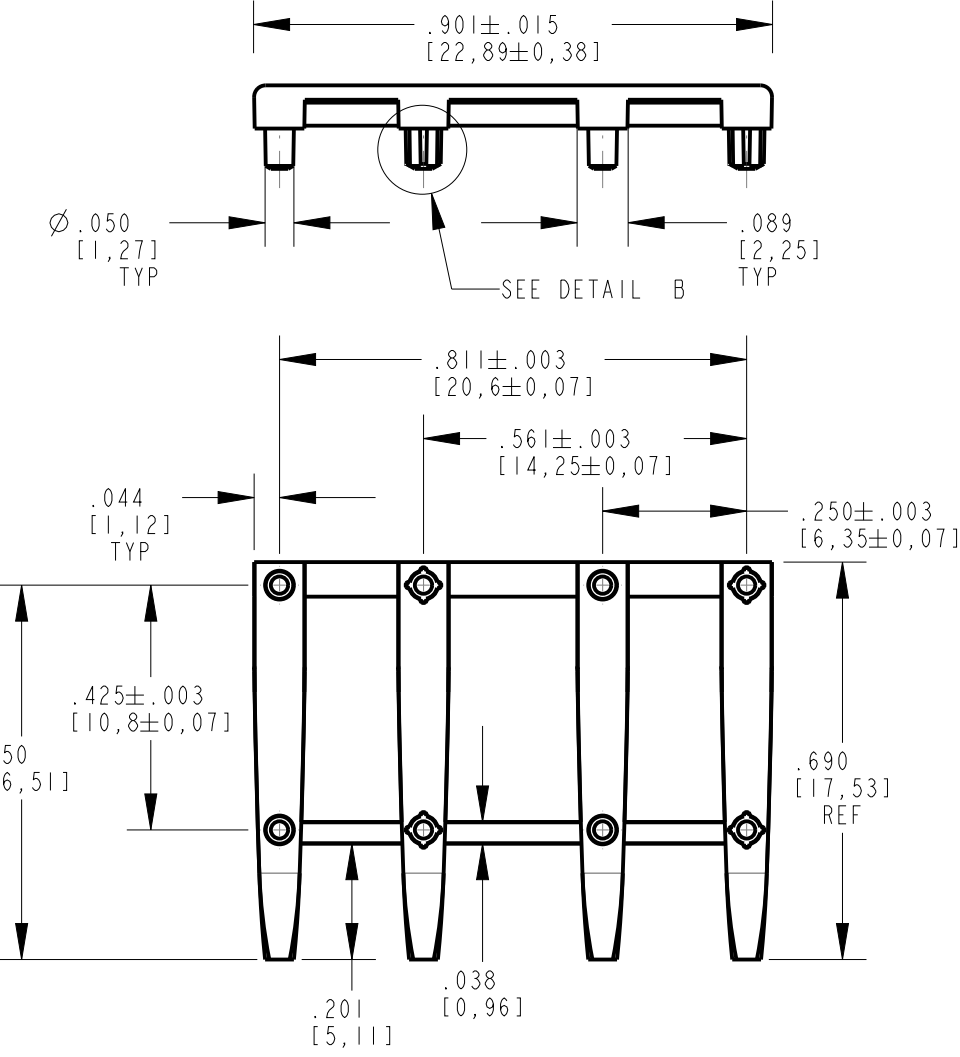
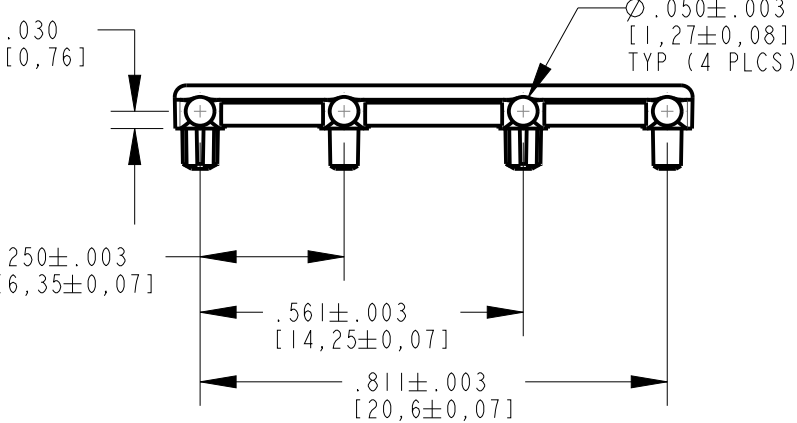
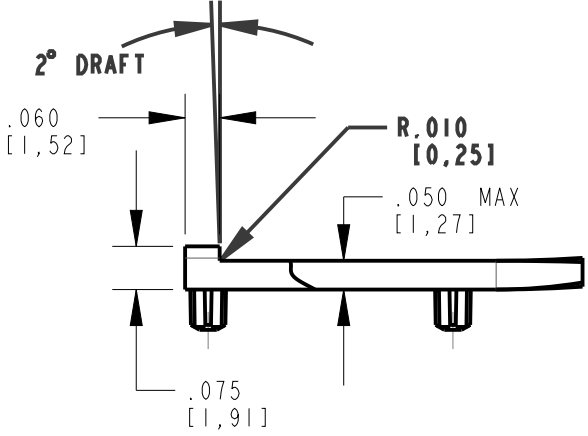


| REV | ECN NO | REVISIONS | DRN | CKD | APP | DATE |
|-----|--------|---|-----|-----|------|---------|
| A | | NEW RELEASE | KLJ | NO | MES | 8-9-11 |
| B | | ".060" WAS ".040"; ".075" WAS ".110"; ADDED ".690 REF"; ADDED ".044" | WFB | JTD | N.O. | 5-16-13 |

RoHS COMPLIANT 515-1166F

Part Numbers with the "F" suffix ending are RoHS Compliant. Packaging is marked with "RoHS Compliant" label or equivalent markings.



RECOMMENDED HOLE PATTERN

- NOTES:
1. COMPONENTS MOLDED IN A CLEAR TRANSMISSIVE POLYCARBONATE (UL 94V-0 FLAMMABILITY).
 2. ALL OPTICAL SURFACES TO BE POLISHED (SPI-A2 OR BETTER).
 3. COMPONENTS DESIGNED TO BE PRESSED INTO PC BOARD.
 4. STORAGE AND OPERATING TEMPERATURE: -30°C TO 100°C
 5. DIALIGHT PART NUMBER: 515-1166F

| | | |
|---|--|----------|
| THIS DRAWING AND THE CONTENTS HEREIN ARE CONFIDENTIAL AND THE SOLE PROPERTY OF DIALIGHT. REPRODUCTION OF THIS DRAWING OR CONSTRUCTION OF ANY PARTS WITHIN THIS DRAWING ARE FORBIDDEN WITHOUT THE WRITTEN CONSENT OF DIALIGHT. | | |
| SCALE: 3.000 ALL DIM'S IN: INCHES (MM) | DRAWING NUMBER C-17717 | REV B |
| TOLERANCES: UNLESS OTHERWISE SPECIFIED FRACTIONS: ±1/64 DECIMALS (.XX): ±.01 DECIMALS (.XXX): ±.005 | TITLE Ø.050 4 ELEMENT LOW PROFILE LIGHT PIPE; RoHS COMPLIANT | |
| ANGLES: ±3° | MATERIAL SEE NOTES | |
| FINISH: SEE NOTES | Dialight 1501 ROUTE 34 SOUTH FARMINGDALE, NJ 07727 | |
| FSCM 83330 | SHEET 1 OF 1 FAMILY TABLE: | |