

CONFIDENTIAL. THE INFORMATION CONTAINED IN THIS DOCUMENT IS THE PROPERTY OF COOPER INDUSTRIES, INC. IT IS NOT FOR PUBLIC DISCLOSURE. POSSESSION OF THE INFORMATION DOES NOT CONVEY ANY RIGHT TO LOAN, SELL OR DISCLOSE THE INFORMATION. UNAUTHORIZED REPRODUCTION OR USE OF THE INFORMATION IS PROHIBITED. THIS DOCUMENT IS TO BE RETURNED TO COOPER INDUSTRIES, INC. UPON COMPLETION OF THE PURPOSE FOR WHICH IT IS LOANED OR UPON REQUEST.

COPYRIGHT Cooper Industries Inc.  
This is an unpublished work. The disclosure of this work is limited to select personnel. Further dissemination or disclosure to the public is PROHIBITED. This unpublished work is protected by Federal Copyright law and all rights thereunder are reserved by Cooper Industries, Inc.

SCALE	UNLESS OTHERWISE SPECIFIED TOLERANCES TO BE:
1.5x	METRIC ± 41mm
	DECIMAL ± 016"
	ANGULAR ± 2°

DATE	NO
7-10-03	HCM-D

TITLE  
**FUSE HOLDER**

▲ (O) INDICATES CRITICAL DIMENSION OR FEATURE

SUP NO	DATED
HCM-D	5-8-02

PAGE 1 OF 2

DWG	CK	CHANGE
BAM		Y
ENC		N03069

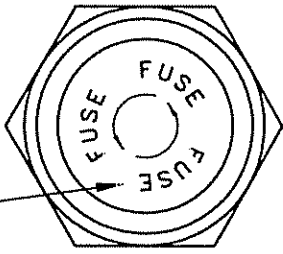
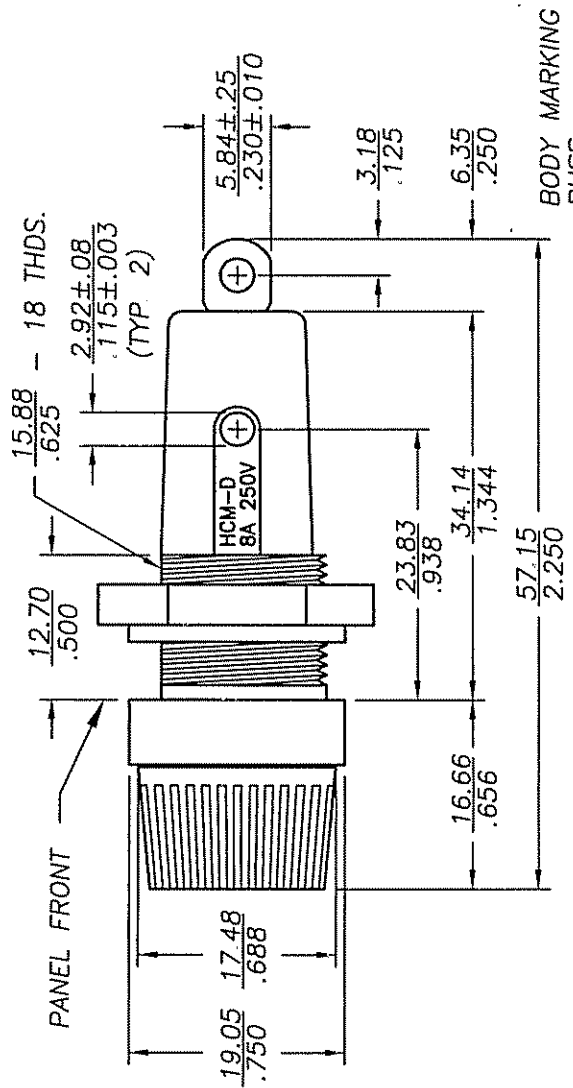
(W) METRIC(mm)  
INCHES

(W) REVISED &  
REDRAWN

**COOPER Bussmann**  
St. Louis, MO 63178

DISTRIBUTION	56	J
52860		

HOLDER WITH CAP NOTCHED TO HOLD 1/4" X 1-1/4" FUSES LISTED BY UNDERWRITERS LABORATORIES



WHITE LETTERING PAD TRANSFER PRINT

