

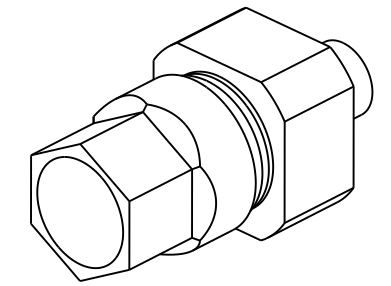
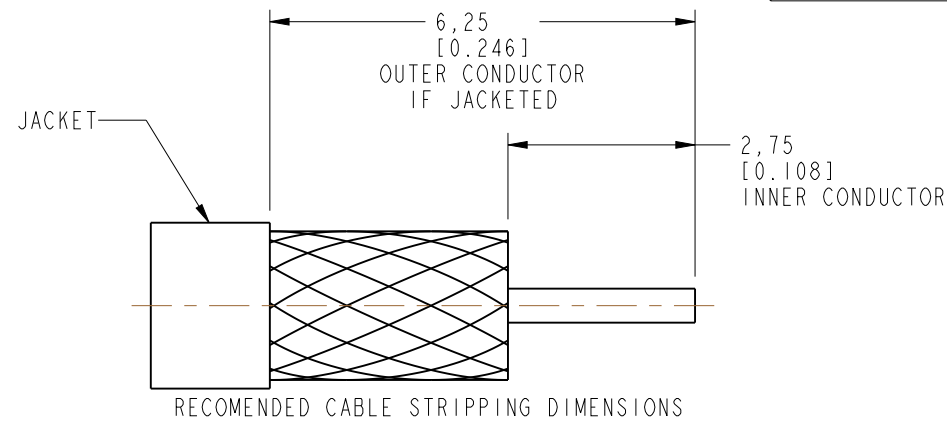
NOTES:

1. MATERIALS AND FINISHES:  
 BODIES - BRASS, GOLD PLATED  
 CONTACT - BERYLLIUM COPPER, GOLD PLATED  
 INSULATOR - PTFE  
 O-RING - SILICONE RUBBER
2. ELECTRICAL:  
 A. IMPEDANCE: 50 OHM  
 B. FREQUENCY RANGE: DC - 6 GHz
3. MECHANICAL:  
 A. DURABILITY: 100 CYCLES MIN.  
 B. TEMPERATURE RANGE: -65° C TO 165° C  
 C. CONNECTOR IS SEALED IN MATED CONDITION ONLY
4. PACKAGING:  
 A. QUANTITY: SINGLE PACK  
 B. MARKING: BAG TO BE MARKED  
 "AMPHENOL RF, SMP-MSSB-C07, AND DATE CODE"
5. ASSEMBLY INSTRUCTIONS  
 A. STRIP CABLE AS SHOWN.  
 B. SOLDER CABLE INTO REAR BODY.  
 C. INSTALL REAR-BODY TO PANEL, AND SECURE WITH BODY.  
 TORQUE TO 10-12 IN-LBS, WITH 6 MM HEX SOCKET
6. ONLY MATES WITH SMP-FS-C07-1 OR SIMILAR IP67 PLUG.  
 CONTACT AMPHENOL RF FOR COMPATIBILITY REQUIREMENTS.

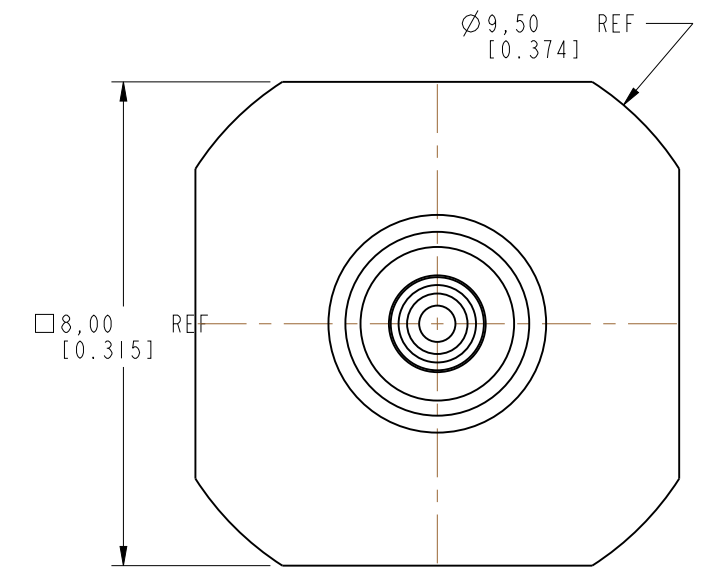
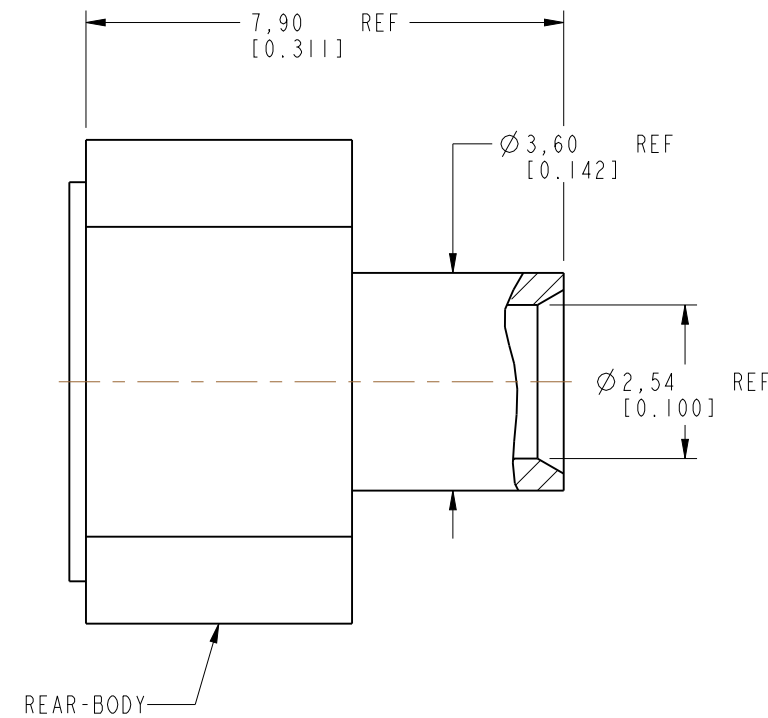
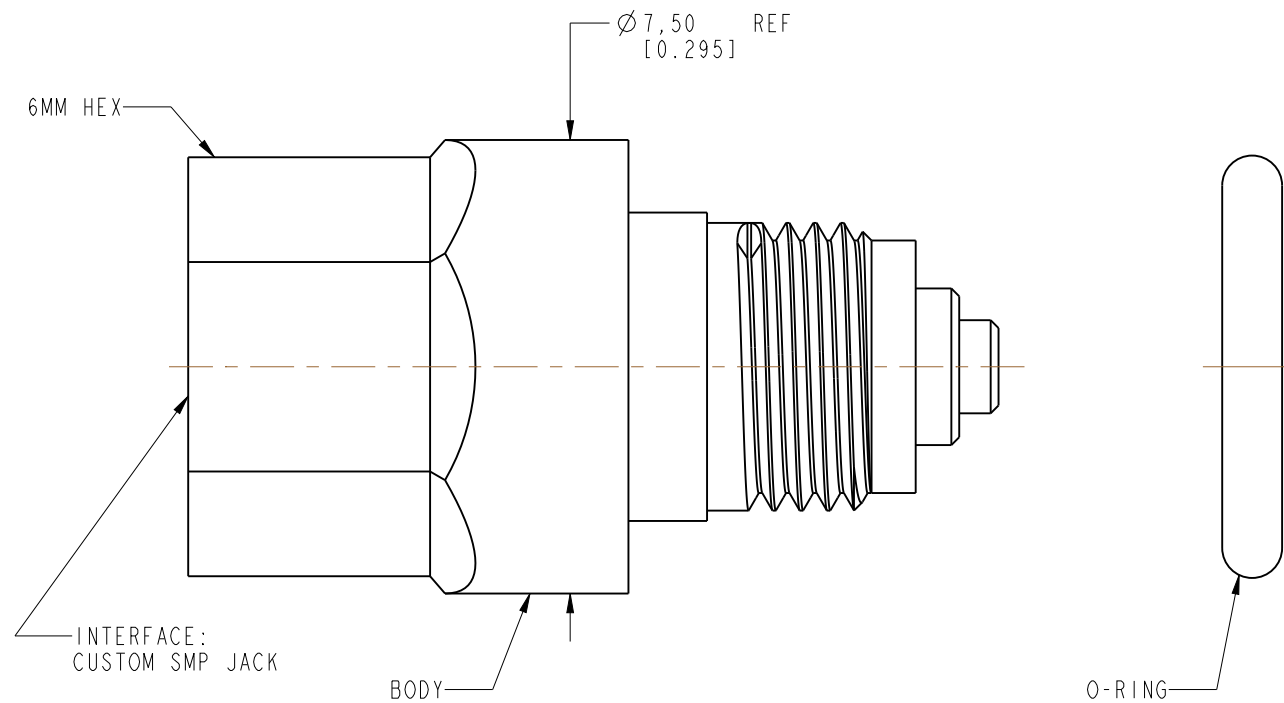
THIRD ANGLE PROJ.

REVISIONS

REV	DESCRIPTION	DATE	ECO	APPR
A	RELEASE TO MFG.	18-Jun-14	50045	JC
B	ADDED NOTE 6, UPDATED TITLE BLOCK, ADDED SHEET 3	17-SEP-20	15336	EH



SCALE 3.000



**CUSTOMER OUTLINE DRAWING**

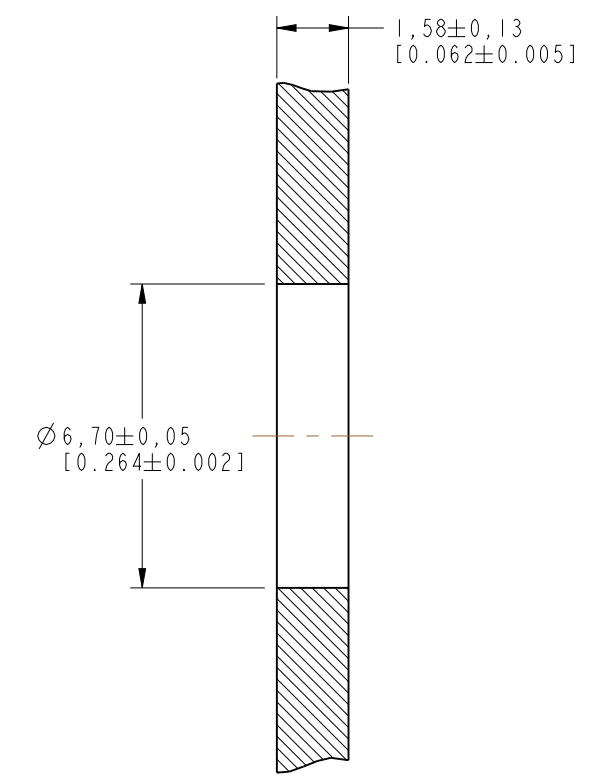
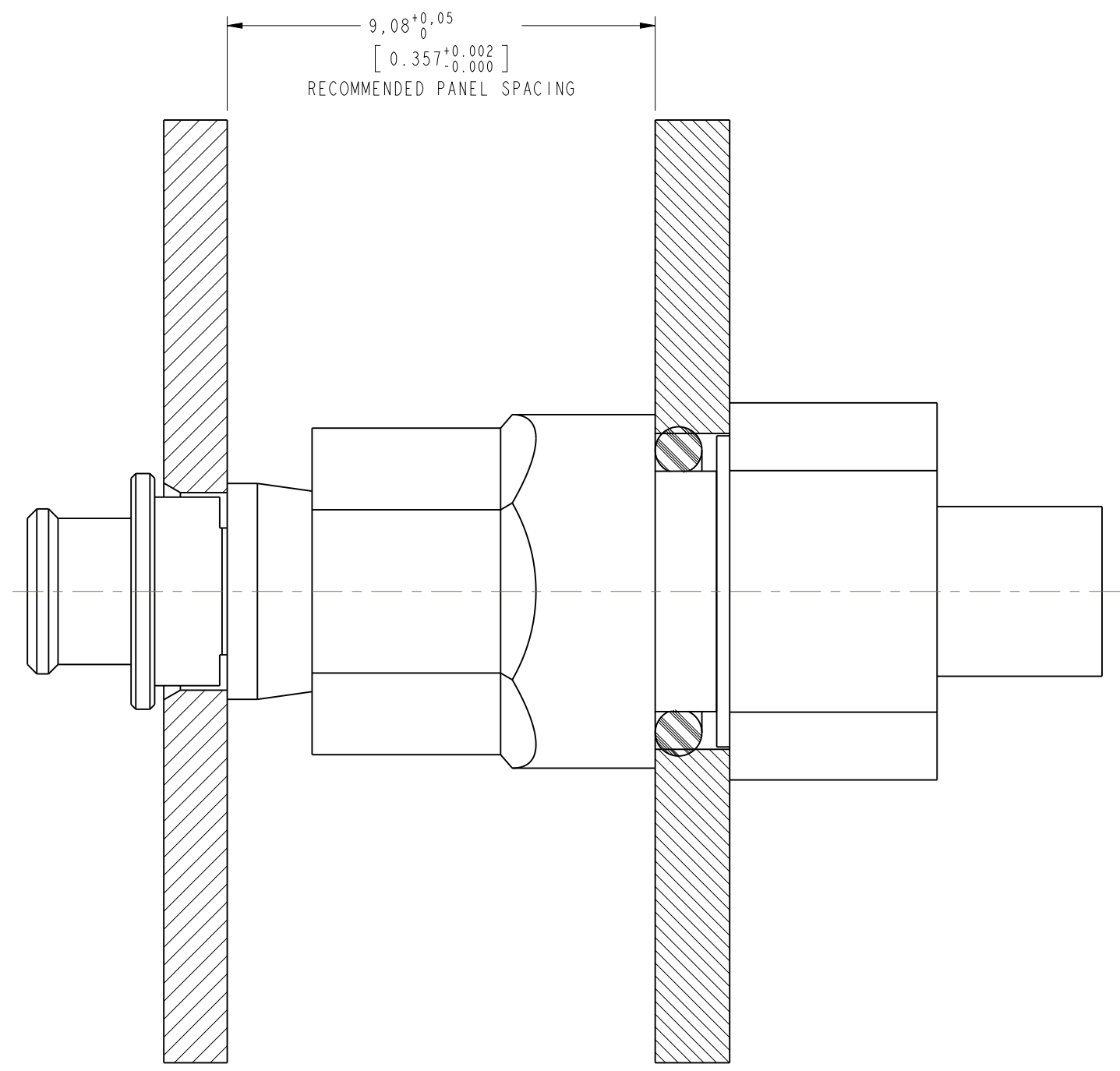
ALL OTHER SHEETS ARE FOR INTERNAL USE ONLY

<p>UNLESS OTHERWISE SPECIFIED, DIMENSIONS ARE IN METRIC AND TOLERANCES ARE:          &lt;0.5mm ± 0.05mm    0.5 - 6mm ± 0.1mm    6 - 30mm ± 0.2mm    30 - 120mm ± 0.3mm    ANGLES ± 1°</p> <p>NOTICE - These drawings, specifications, or other data (1) are, and remain the property of Amphenol corp. (2) must be returned upon request; and (3) are confidential and not to be disclosed to any person other than those to whom they are given by Amphenol Corp. the furnishing of these drawings, specifications, or other data by Amphenol Corp., or to any other person to anyone for any purpose is not to be regarded by implication or otherwise in any manner licensing, granting rights to permitting such holder or any other person to manufacture, use or sell any product, process or design, patented or otherwise, that may in any way be related to or disclosed by said drawings, specifications, or other data.</p>	MATERIAL	DRAWN	DATE	TITLE SMP, JACK SMOOTH BORE, IP67 FOR .086" CABLE		Amphenol RF www.amphenolrf.com	
	SEE NOTES	JEKY.C	18-Jun-14				
	REFERENCE	APPROVED	DATE	SCALE: 8.0:1.0		DRAWING NO. SMP-MSSB-C07	
	EAR # 5814 & 615X-3057-998	S.HSIEH	01-Jul-14	SHEET 2 OF 3		ITEM NO. SMP-MSSB-C07	
CONFIGURATION LEVEL: In Work	CAD FILE	DWG SIZE		REV	PART NO. SMP-MSSB-C07		
FINISH		B		B			

THIRD ANGLE PROJ.

REVISIONS

REV	DESCRIPTION	DATE	ECO	APPR
A	RELEASE TO MFG.	18-Jun-14	50045	JC
B	UPDATED SHEET 2 NOTES, UPDATED TITLE BLOCK, ADDED SHEET 3	17-SEP-20	15336	EH



RECOMMENDED PANEL HOLE SIZE FOR SMP-MSSB-C07

MATED PAIR: SMP-MSSB-C07 AND SMP-FS-C07-1

<p>UNLESS OTHERWISE SPECIFIED, DIMENSIONS ARE IN METRIC AND TOLERANCES ARE:          &lt;0.5mm ± 0.05mm    0.5 - 6mm ± 0.1mm    6 - 30mm ± 0.2mm    30 - 120mm ± 0.3mm    ANGLES ± 1°</p> <p>NOTICE - These drawings, specifications, or other data (1) are, and remain the property of Amphenol corp. (2) must be returned upon request; and (3) are confidential and not to be disclosed to any person other than those to whom they are given by Amphenol Corp. the furnishing of these drawings, specifications, or other data by Amphenol Corp., or to any other person to anyone for any purpose is not to be regarded by implication or otherwise in any manner licensing, granting rights to permitting such holder or any other person to manufacture, use or sell any product, process or design, patented or otherwise, that may in any way be related to or disclosed by said drawings, specifications, or other data.</p>	MATERIAL	DRAWN JEKY.C	DATE 14-AUG-20	<p>TITLE SMP, JACK SMOOTH BORE, IP67 FOR .086" CABLE</p>	<p>Amphenol RF www.amphenolrf.com</p>
	REFERENCE EAR # 5814    AND    --	ENGINEER E.WANKOFF	DATE 14-AUG-20		
	CONFIGURATION LEVEL: In Work	APPROVED	DATE	SCALE: 8.0:1.0    SHEET 3 OF 3	ITEM NO. SMP-MSSB-C07
	FINISH	CAD FILE	DWG SIZE B	REV B	PART NO. SMP-MSSB-C07