

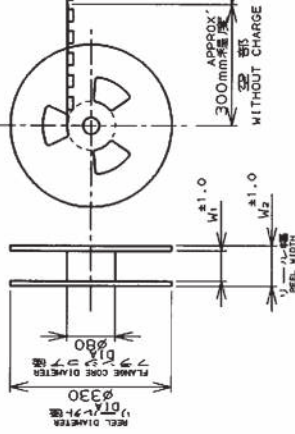
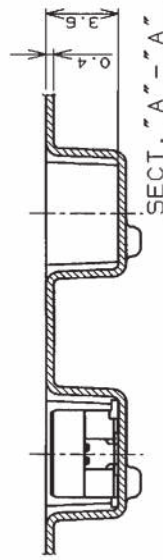
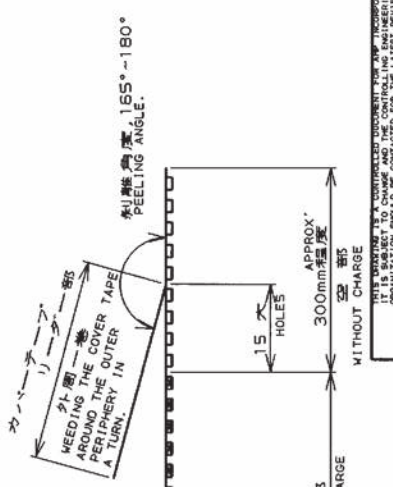
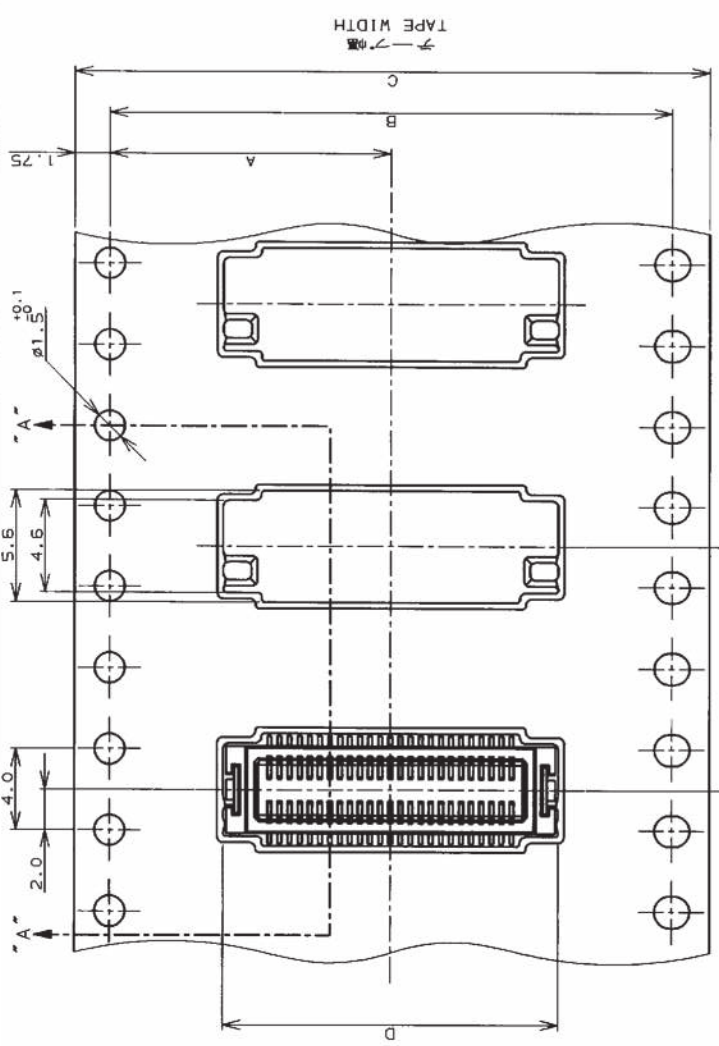
THIS DRAWING IS UNPUBLISHED.
 © COPYRIGHT 19 BY AMP INCORPORATED. ALL RIGHTS RESERVED.

RELEASED FOR PUBLICATION
 ,19

REVOLUTIONS		REVISIONS	
P	LTR	DESCRIPTION	ECN
0	成	FJ00-0061-97	2/28/97
A	訂	FJ00-2247-98	12/3/98
B	訂	FJ00-2287-98	1/10/98

注記：
 △ 指示穴は 50種品のみ適用。
 NOTE:
 △ THESE HOLES ARE APPLIED TO 50P-os. ONLY.

引出し方向
 TOP OF REEL



36.7	33.5	19.1	32	28.4	14.2	50	5-	-0	6-	-0
20.7	17.5	9.1	16	7.5	1000	20	2-316112-0	2-316117-0		
M ₂	M ₁	D	C	B	A	数量 (ヶ)	極数 (ヶ)	コネクタ型番 (シールド)	リール型番	コネクタ型番
MIRE RANGE						BTY/REEL	CONNECTION P/N (L/P)	TAPPING P/N		

INSTRUCTION SHEET
 取扱説明書
 411-5808
 地名: 電線断面係
 DWN 2/28/97
 Y. NAKAZAWA
 CHK 4/7/97
 K. ASAKAWA
 APVD 4/7/97
 KAWASAKI, JAPAN
 AMP
 ON TAPING (EMB055)
 0.5mm PITCH Fine Mate CONN.
 TAB ASSEMBLY (V-TYPE)
 SIZE (CASE CODE) DRAWING NO
 A3 00779 C=316117
 RESTRICTED TO
 CUSTOMER DRAWING
 SCALE 尺度
 SHEET 1 OF 2
 REV B
 参考 図面

