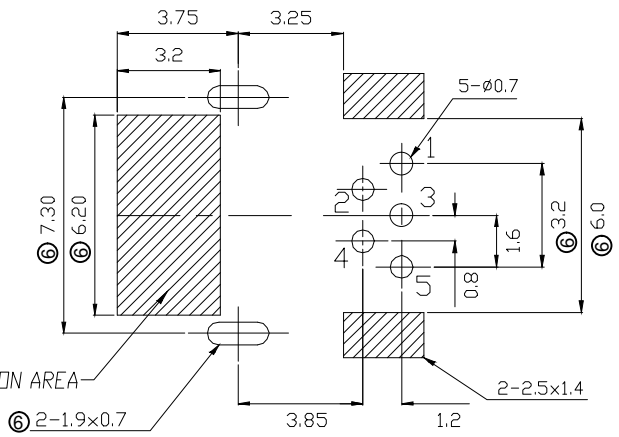
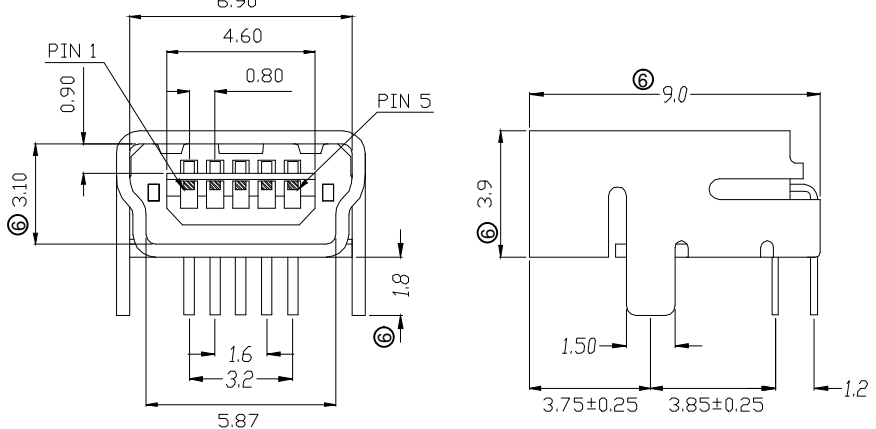
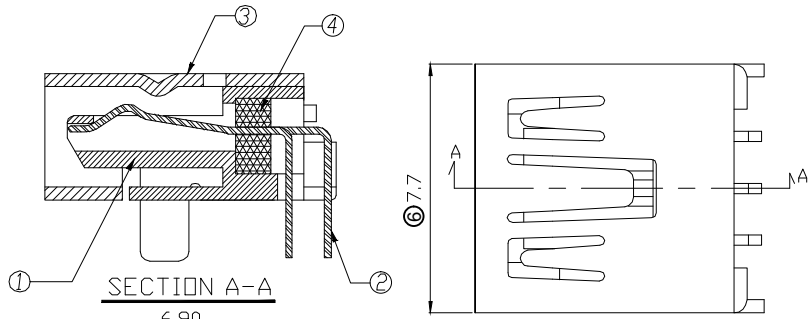


⑤ **USB2.0 COMPLIANT**

NOTES:

- ⑥ 1.Contact Resistance: 50m ohm.Max
- ⑥ 2.Insulation Resistance: 100M ohm Min . At 500VDC
- ⑦⑥ 3.Rating Voltage and Current :1.5A Max at 30VAC .
- ⑥ 4.Dielectric Withstanding Voltage :100V AC for 1minutes
- ⑥ 5.Durability : 1500 cycles
- ⑥ 6.Insertion force : 35N Max.
- ⑥ 7.Extraction force:7N Min
- ⑥ 6.Temperature range: -40°C~+60°C
- ⑥ Packing: Tray



RECOMMENDED PCB PATTERN LAYOUT
(PCB THICKNESS:0.8±0.1)

NO.	NAME	MATERIAL	FINISH	Q'TY	REMARK
⑥ 1	HOUSING	NYLON PA9T G.F	BLACK	1	
2	PIN TERM.	PBS T:0.2	GOLD/TIN PLATED	5	Gold:30u"; NI:40~60u"; TIN:120u" (100% pure Tin of lead free plating)
3	SHELL	BRASS T:0.4	NICKEL PLATED	1	Ni:80~120u"
4	CENTER PASTERN	NYLON PA9T G.F	BLACK	1	

RoHS compliant

Scale	1:1	⑦	Change rating current to 1.5A Max	04.05.2020	Luca	Date	Name	Customer-No.
TOLERANCE		⑥	Update	30.03.2018	Winnie	Drawn	03.07.2003	Hellwig
.X	±0.30	⑤	Update	19.08.2013	Winnie	Approved	04.05.2020	Luca
.XX	±0.20	④	Add the Packing	04.06.2013	Winnie			
.XXX	±0.10	③	Temperature range add in	24.07.2012	Lucas			
DIM	TOL	②	Modify drawing	07.07.2009	Dean			
X.°	±1°	Id.	Modification	Date	Name			Drawing-No.
Angle	TOL							ASSMANN WSW-No.
UNIT	mm							ASS 1455 CO
								rev07
								SHEET