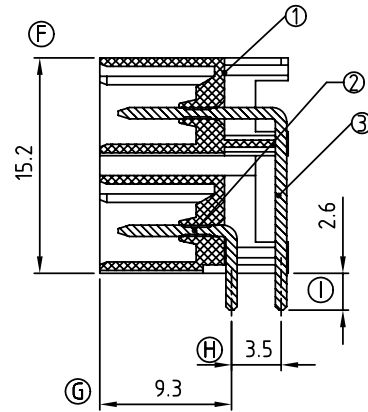
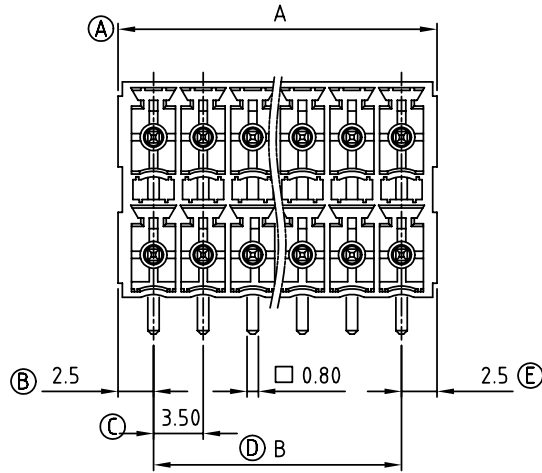


SIGN	DATE	DESCRIPTION	APPROVER
△	9/17'10	How to order is changed	Runner
THIS IS CAD DRAWING, DO NOT REVISE MANUALLY!!!			



Material:

- Item ① Terminal(housing): PA66 30% GF (UL94V-0)
- Item ② Contact pin of short: copper Tin plated
- Item ③ Contact pin of long: copper Tin plated

Electrical:

- Voltage rating: 160V
- Current rating: 5.5A
- Withstanding Voltage: 1.32 KV
- Operating temperature: -40°C to +115°C
- Soldering temperature: 250°C ±10°C/5 Sec
- APPROVAL: US

cULus

KE xx 1 1 x 1 xxxx G

No. OF POLES

- 04: 2×2 POLES
- 06: 2×3 POLES
- ...
- 48: 2×24 POLES

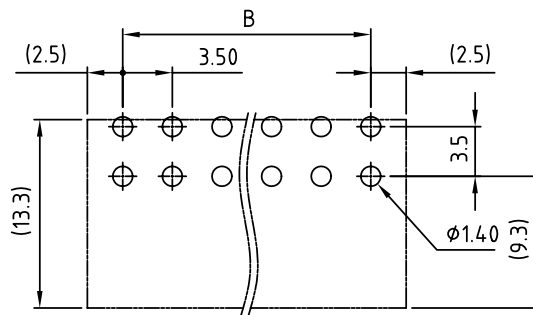
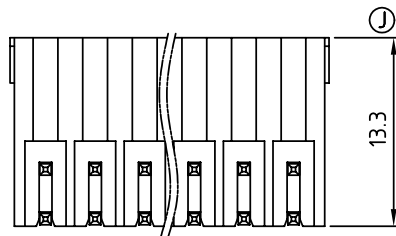
COLOR

- 0 Black (RAL9005)
- 2 Red (RAL3001/D)
- 3 Orange(RAL2011/P)
- 4 Yellow(RAL1018/A)
- 5 Green(RAL6018/T)
- 6 Blue (RAL5015/A)
- 8 Grey(RAL7035/D)

G: Pb<40000ppm

- △ A00 0: "@" Mark
- △ A00 A: "ANYTEK" Mark

Any special item by customer request. please contact sales department.



PCB Layout

POLE		2×2	2×3	2×4	2×5	2×6	2×7	2×8	2×9	2×10	2×11	2×12	
A		8.50	12.00	15.50	19.00	22.50	26.00	29.50	33.00	36.50	40.00	43.50	
B		3.50	7.00	10.50	14.00	17.50	21.00	24.50	28.00	31.50	35.00	38.50	
Tol.		±0.15					±0.20						
POLE		2×13	2×14	2×15	2×16	2×17	2×18	2×19	2×20	2×21	2×22	2×23	2×24
A		47.00	50.50	54.00	57.50	61.00	64.50	68.00	71.50	75.00	78.50	82.00	85.50
B		42.00	45.50	49.00	52.50	56.00	59.50	63.00	66.50	70.00	73.50	77.00	80.50
Tol.		±0.25					±0.30						

**ANYTEK**

**CUSTOMER COPY**

ALL RIGHTS RESERVED. REPRODUCTION OR ISSUE TO THIRD PARTIES IN ANY FORM WHATSOEVER IS NOT PERMITTED WITHOUT WRITTEN AUTHORITY FROM THE PROPRIETOR. PROPERTY OF ANYTEK TECHNOLOGY CO., LTD

TITLE		KE 3.5mm W/O Flange Series (Right angle) DIP type										
PART NO.	KExx11x1xxxxG	DWG NO.	8KE0007									
APPROVED	CHECKED	DESIGNED	DRAWN	CUST NO.								Tolerance
		Runner	Runner									X. ±0.50
		2010.09.17	2010.04.12		UNIT: mm							
				SHEET: 01/01	REV.: C						X.XX ±0.10	
											X° ±1°	