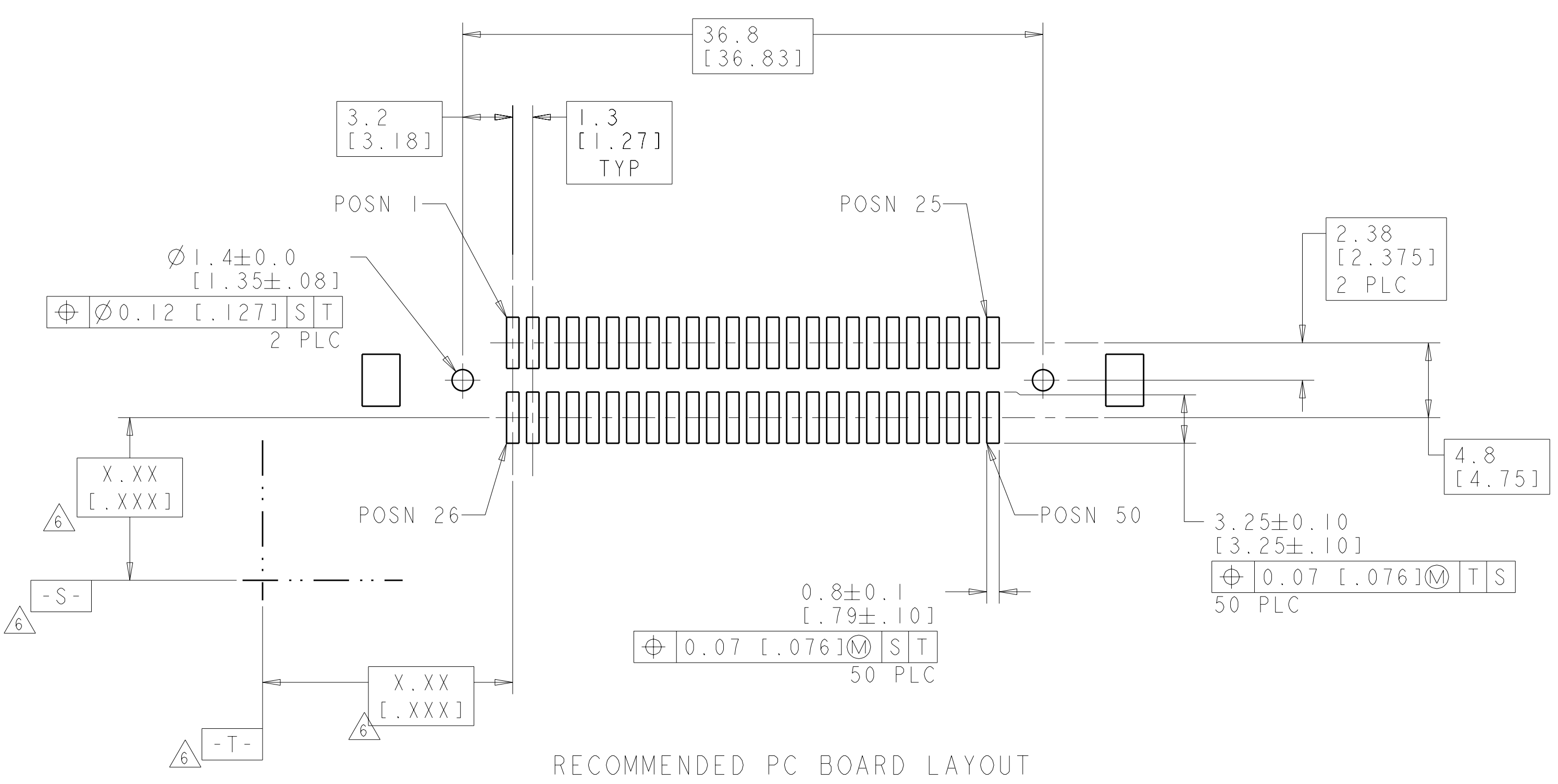
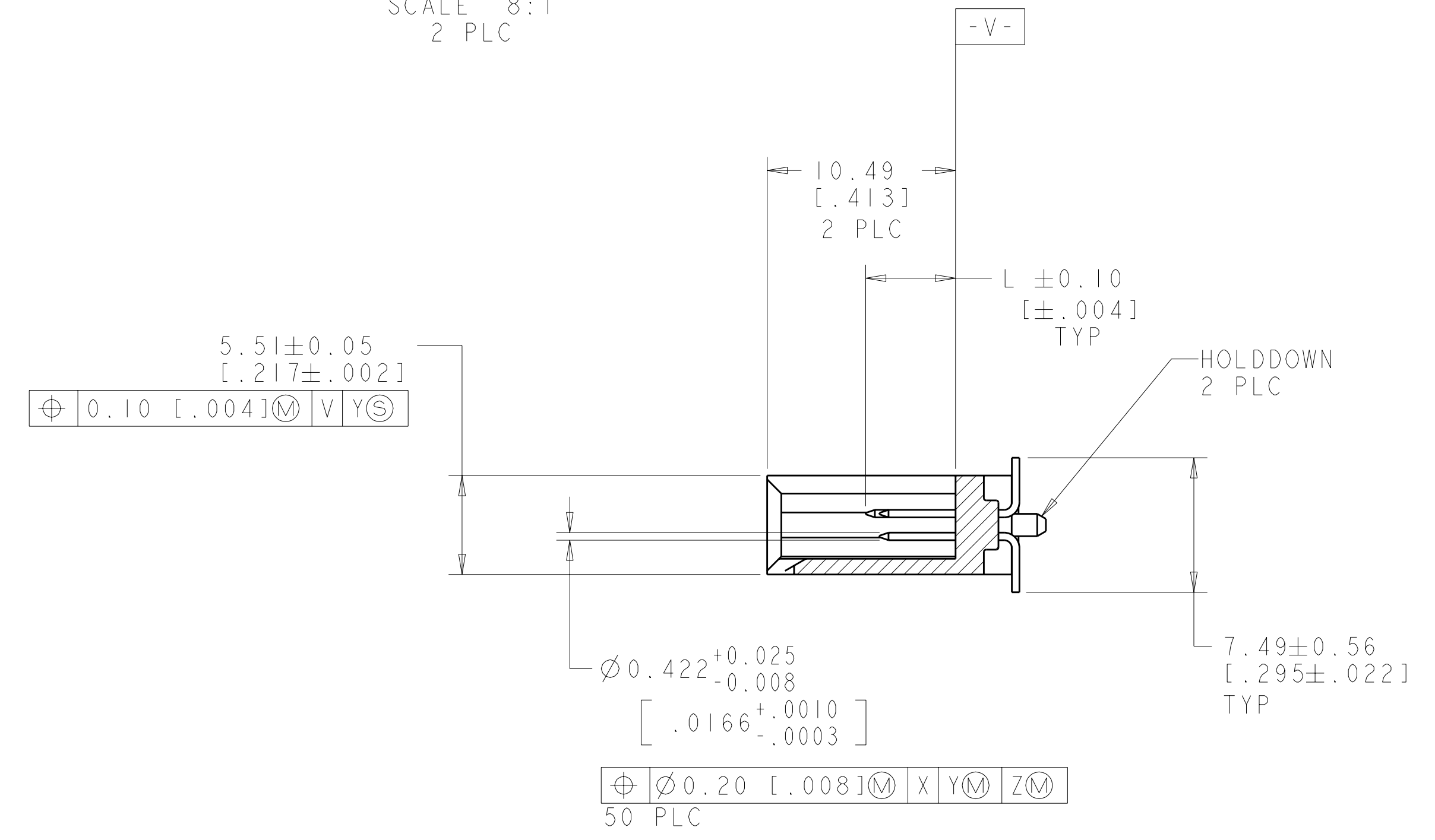
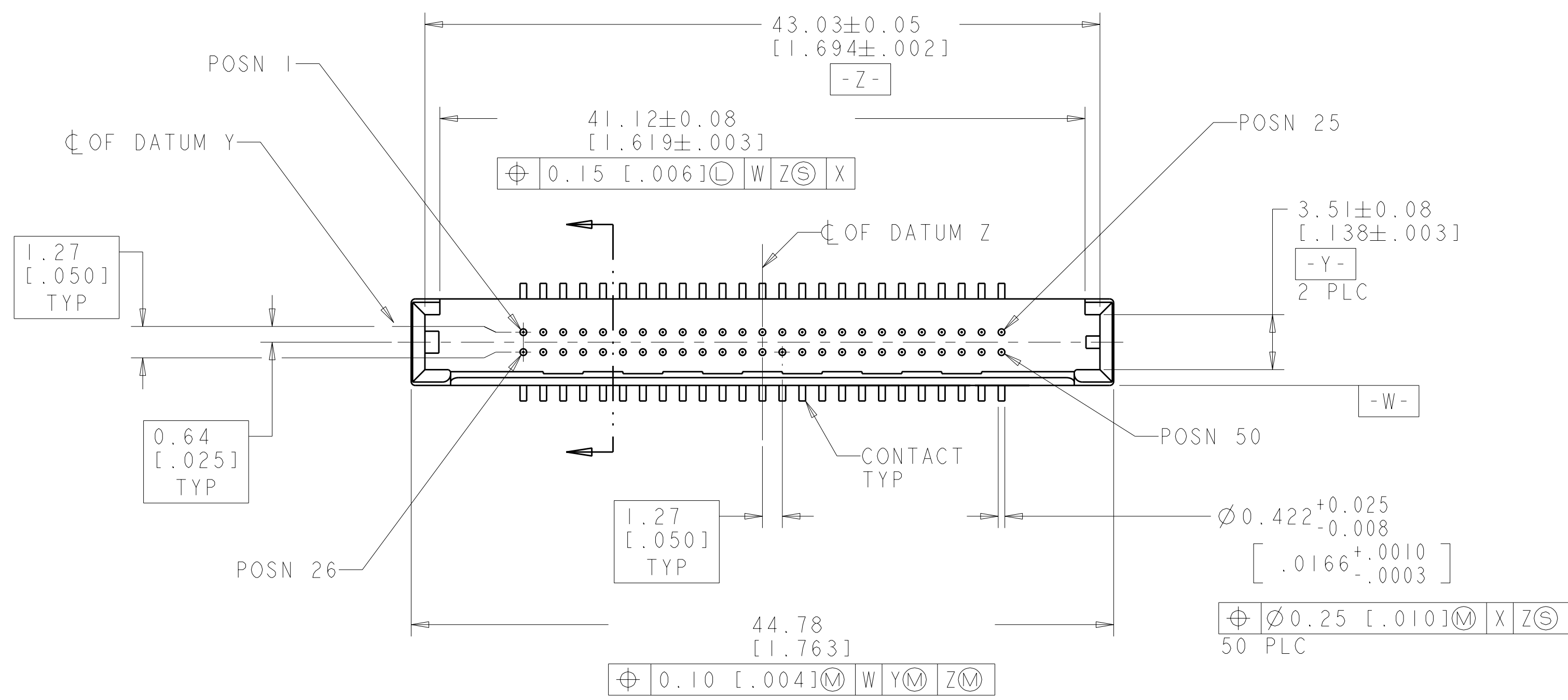
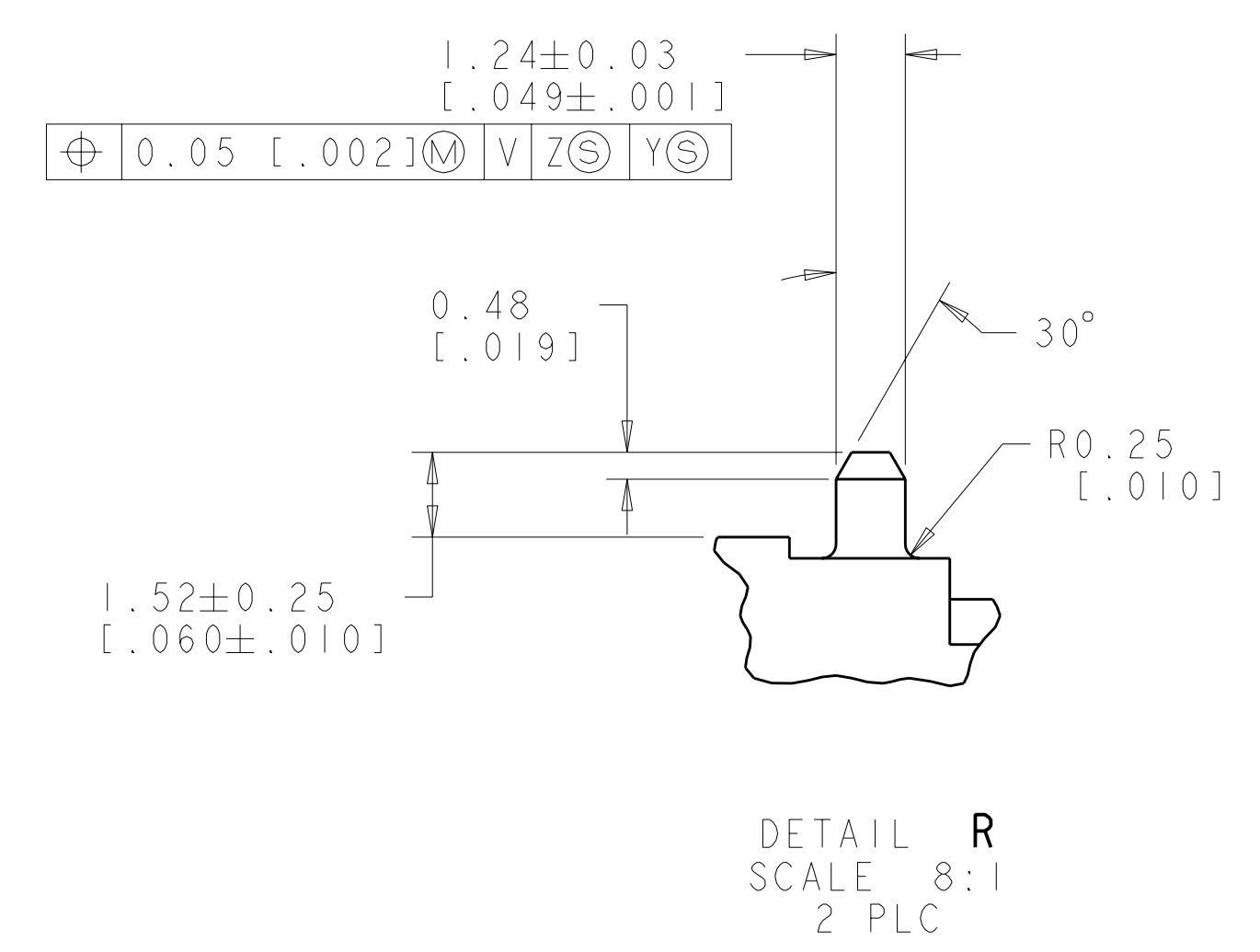
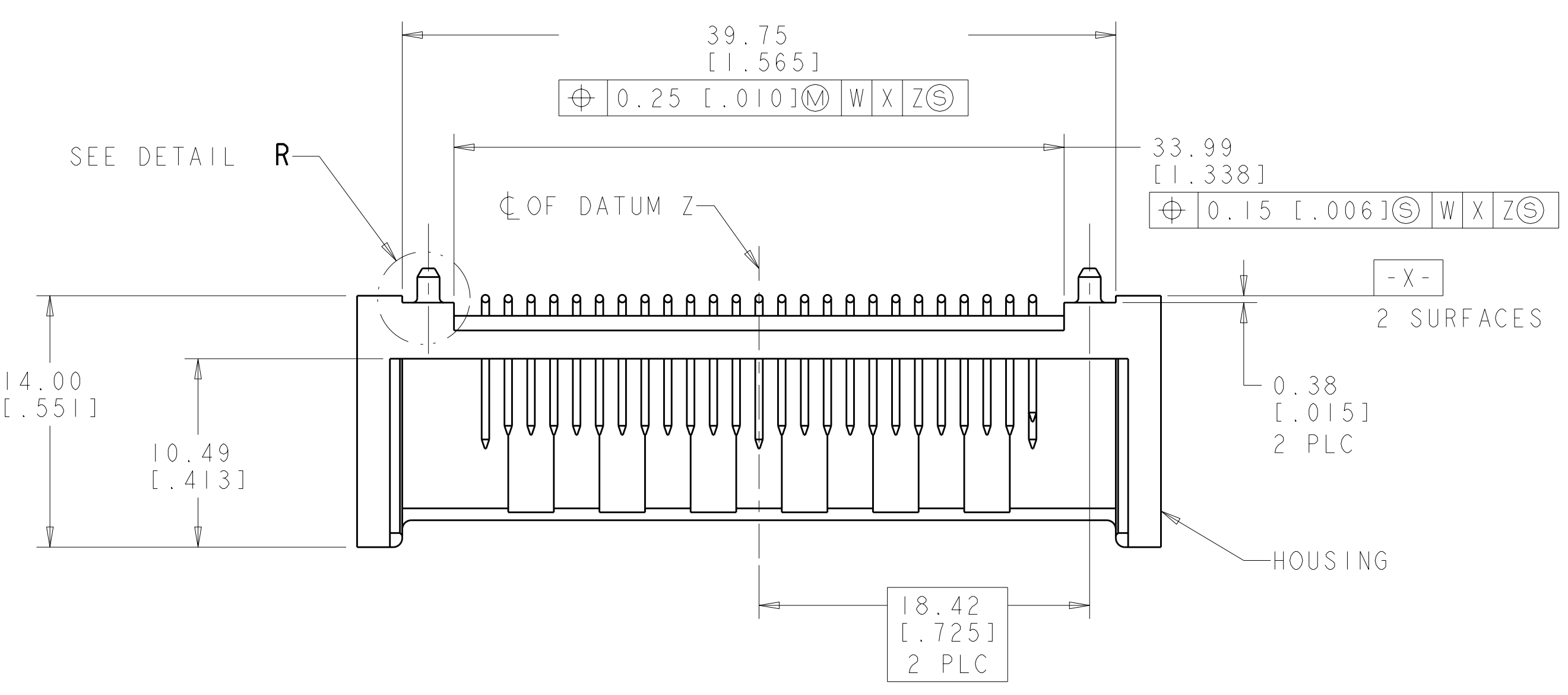


LOC	DIST	REV	DATE	BY	APPD
GP	00	A	17 JUL 2009	CR	DG
		A1	30 JUN 2010	CJV	DLG



- 1 HOUSING: POLYESTER LCP, BLACK. CONTACTS: BRASS.
- 2 CONTACTS: 0.76  $\mu\text{m}$  [0.000030] MIN GOLD FOR A LENGTH OF 3.51 [0.138] MIN IN CONTACT AREA, 3.81  $\mu\text{m}$  [0.000150] MIN TIN-LEAD FOR A LENGTH OF 2.0 [0.079] MIN ON SOLDER TAILS, ALL OVER 1.27  $\mu\text{m}$  [0.000050] MIN NICKEL.
- 3 DIMENSION APPLIES TO POSITIONS 25 AND 26.
- 4 DIMENSION APPLIES TO POSITIONS 2 THRU 12, 14 THRU 24, 27 THRU 37 AND 39 THRU 49.
- 5 DIMENSION APPLIES TO POSITIONS 1, 13, 38 AND 50.
- 6 DATUMS AND BASIC DIMENSIONS ESTABLISHED BY CUSTOMER.

5.00 [0.197] 5	4.24 [0.167] 4	3.51 [0.138] 3	788643-1																																																							
L			PART NUMBER																																																							
<table border="1"> <tr> <td>DWN</td> <td>D. HARDY</td> <td>29MAR99</td> <td rowspan="2">  Tyco Electronics Harrisburg, PA 17105-3608             </td> </tr> <tr> <td>CHK</td> <td>C. OBERMAN</td> <td>05APR99</td> </tr> <tr> <td>APPD</td> <td>M. PERCHERKE</td> <td>05APR99</td> <td>NAME</td> </tr> <tr> <td colspan="3">DIMENSIONS: mm [INCHES]</td> <td>PRODUCT SPEC</td> </tr> <tr> <td colspan="3">TOLERANCES UNLESS OTHERWISE SPECIFIED:</td> <td>APPLICATION SPEC</td> </tr> <tr> <td colspan="3">9 PLC <math>\pm</math></td> <td>SIZE</td> </tr> <tr> <td colspan="3">1 PLC <math>\pm 0.13</math> [1.005]</td> <td>CAGE CODE</td> </tr> <tr> <td colspan="3">5 PLC <math>\pm</math></td> <td>DRAWING NO</td> </tr> <tr> <td colspan="3">4 PLC <math>\pm</math></td> <td>RESTRICTED TO</td> </tr> <tr> <td colspan="3">ANGLES <math>\neq 90^\circ</math></td> <td></td> </tr> <tr> <td colspan="3">MATERIAL 1</td> <td>WEIGHT</td> </tr> <tr> <td colspan="3">FINISH 2</td> <td>SCALE</td> </tr> <tr> <td colspan="3">CUSTOMER DRAWING</td> <td>SHEET 1 OF 1</td> </tr> <tr> <td colspan="3"></td> <td>REV A1</td> </tr> </table>				DWN	D. HARDY	29MAR99	Tyco Electronics Harrisburg, PA 17105-3608	CHK	C. OBERMAN	05APR99	APPD	M. PERCHERKE	05APR99	NAME	DIMENSIONS: mm [INCHES]			PRODUCT SPEC	TOLERANCES UNLESS OTHERWISE SPECIFIED:			APPLICATION SPEC	9 PLC $\pm$			SIZE	1 PLC $\pm 0.13$ [1.005]			CAGE CODE	5 PLC $\pm$			DRAWING NO	4 PLC $\pm$			RESTRICTED TO	ANGLES $\neq 90^\circ$				MATERIAL 1			WEIGHT	FINISH 2			SCALE	CUSTOMER DRAWING			SHEET 1 OF 1				REV A1
DWN	D. HARDY	29MAR99	Tyco Electronics Harrisburg, PA 17105-3608																																																							
CHK	C. OBERMAN	05APR99																																																								
APPD	M. PERCHERKE	05APR99	NAME																																																							
DIMENSIONS: mm [INCHES]			PRODUCT SPEC																																																							
TOLERANCES UNLESS OTHERWISE SPECIFIED:			APPLICATION SPEC																																																							
9 PLC $\pm$			SIZE																																																							
1 PLC $\pm 0.13$ [1.005]			CAGE CODE																																																							
5 PLC $\pm$			DRAWING NO																																																							
4 PLC $\pm$			RESTRICTED TO																																																							
ANGLES $\neq 90^\circ$																																																										
MATERIAL 1			WEIGHT																																																							
FINISH 2			SCALE																																																							
CUSTOMER DRAWING			SHEET 1 OF 1																																																							
			REV A1																																																							