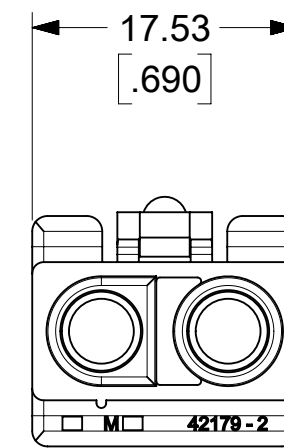
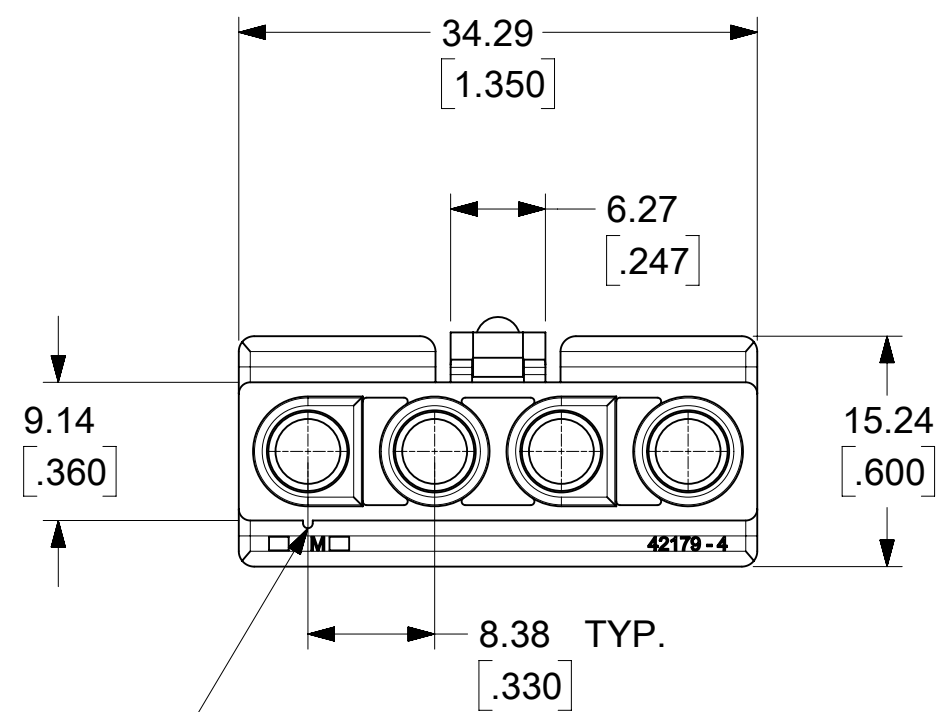


3 CIRCUIT RECEPTACLE



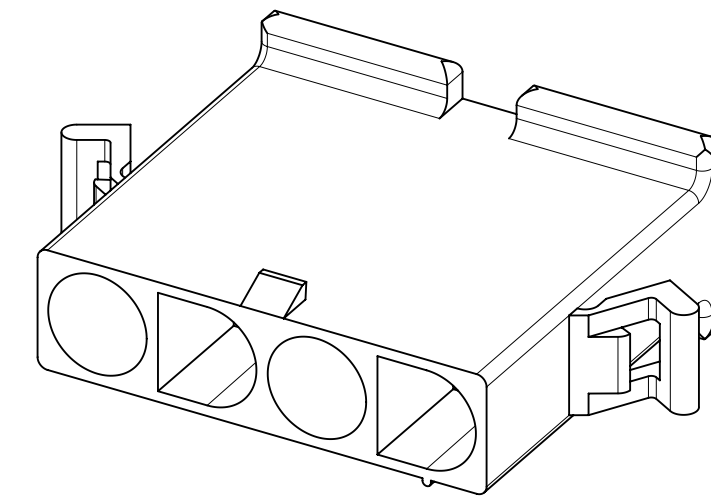
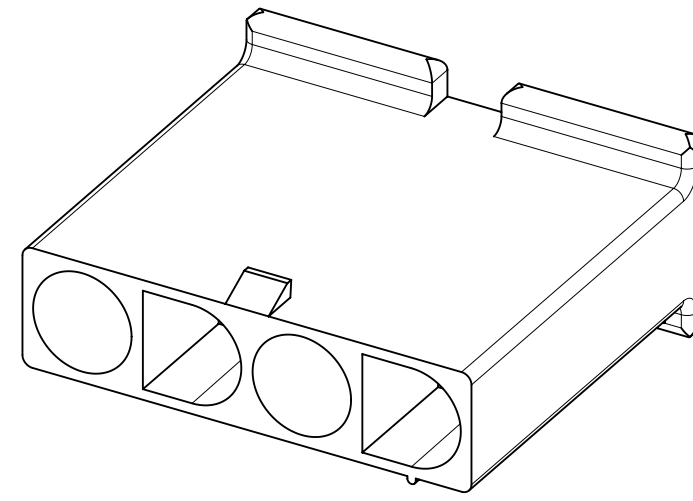
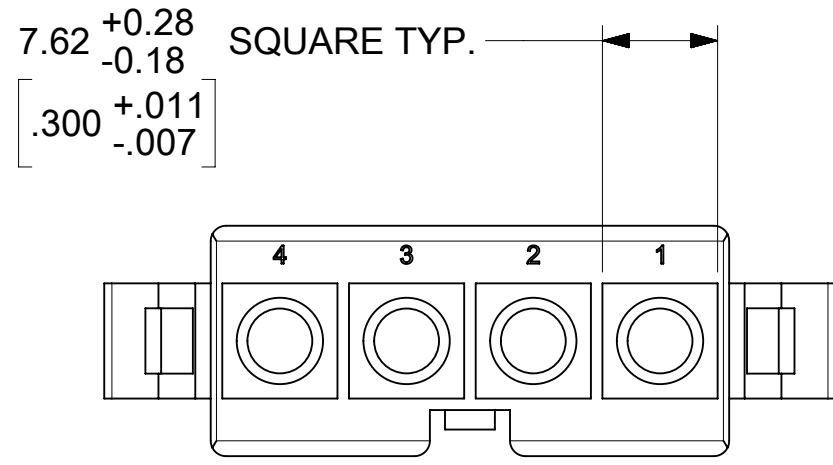
2 CIRCUIT RECEPTACLE



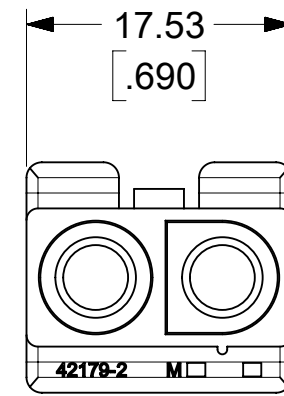
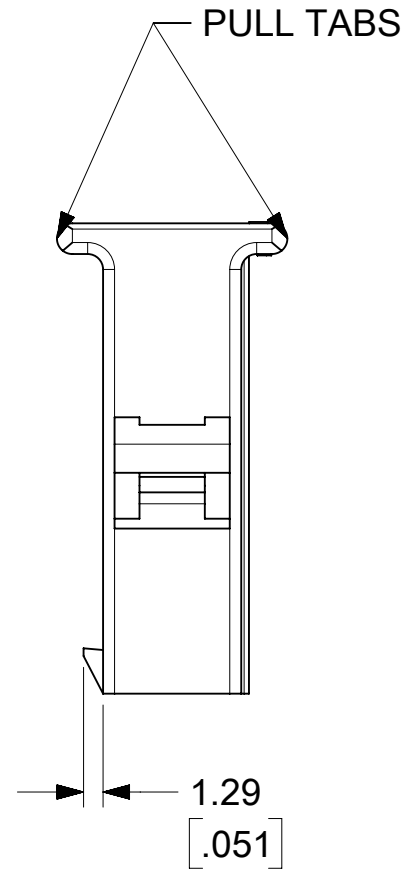
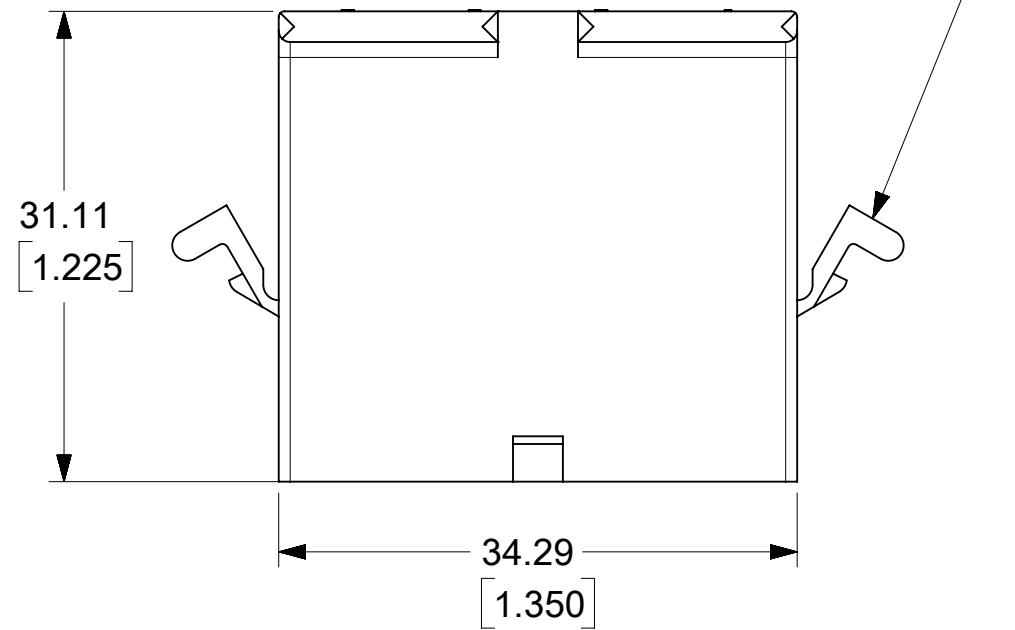
RIB TO IDENTIFY CIRCUIT 1

RECEPTACLES

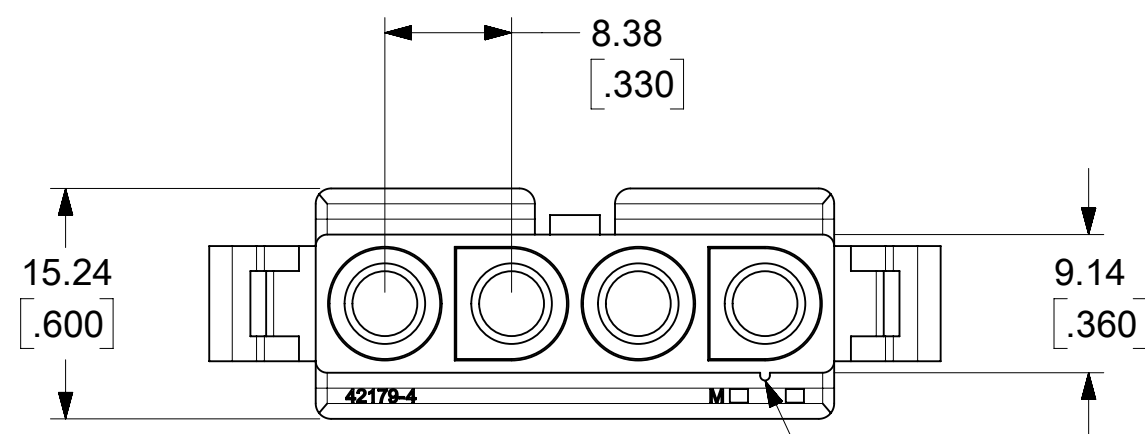
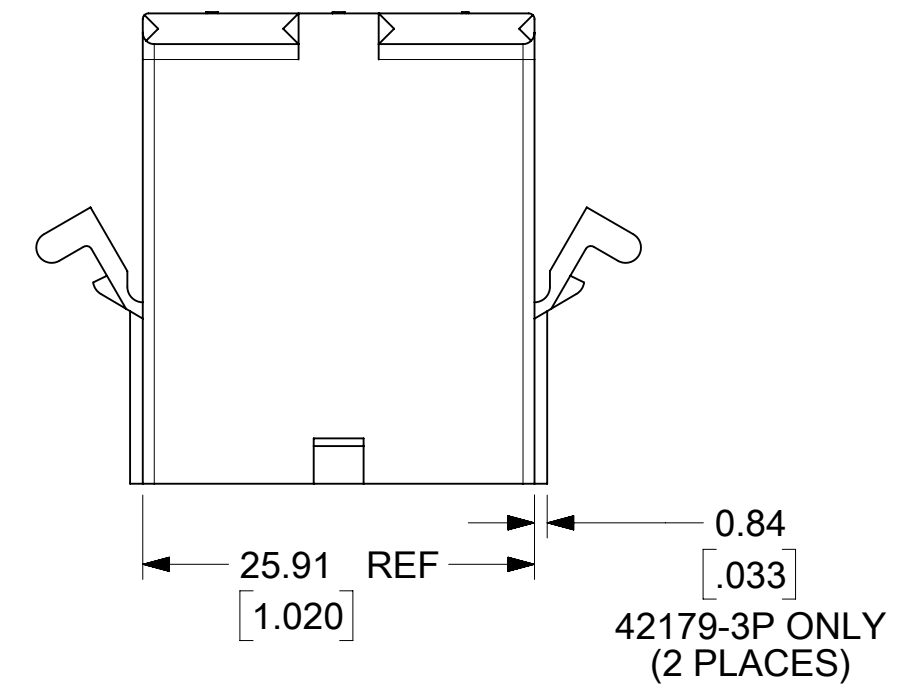
THIS DRAWING CONTAINS INFORMATION THAT IS PROPRIETARY TO MOLEX ELECTRONIC TECHNOLOGIES, LLC AND SHOULD NOT BE USED WITHOUT WRITTEN PERMISSION													
CORRECT 7.62 TOL	2017/10/17	2017/10/18	2017/10/23	GENERAL TOLERANCES (UNLESS SPECIFIED)		DIMENSION UNITS	SCALE	molex .125/(3.17) PLUG AND RECEPTACLE HOUSINGS					
	MM	INCH	MM	INCH	MM/INCH	2:1							
	4 PLACES	±	±	DRWN BY	DATE	MKIPPER	2017/03/15	PRODUCT CUSTOMER DRAWING					
	3 PLACES	±	± 0.007	CHK'D BY	DATE	JBELL	2017/03/17						
	2 PLACES	± 0.18	± 0.01	APPR BY	DATE	FSMITH	2017/03/20						
1 PLACES	± 0.25	±	ANGULAR TOL ±	DRAWING SIZE	THIRD ANGLE PROJECTION	C	<table border="1"> <tr> <td>SERIES</td> <td>MATERIAL NUMBER</td> <td>CUSTOMER</td> </tr> <tr> <td>42179</td> <td>SEE CHART</td> <td>GENERAL MARKET</td> </tr> </table>				SERIES	MATERIAL NUMBER	CUSTOMER
SERIES	MATERIAL NUMBER	CUSTOMER											
42179	SEE CHART	GENERAL MARKET											
0 PLACES	±	±	DRAFT WHERE APPLICABLE MUST REMAIN WITHIN DIMENSIONS					DOCUMENT NUMBER	DOC TYPE	DOC PART	SHEET NUMBER		
A1	REV	APPR	EC NO: 123491	DRWN: AZAHROVIC	CHKD: MKIPPER	REV	APPR	FSMITH	2017/03/20	421790000-SD	PSD	000	1 OF 3



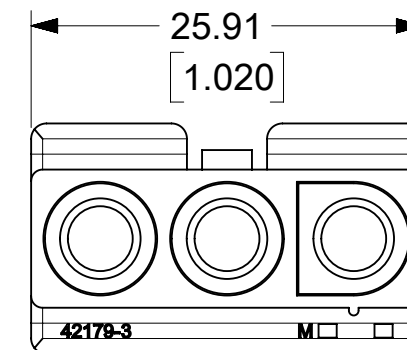
OPTIONAL MOUNTING EARS



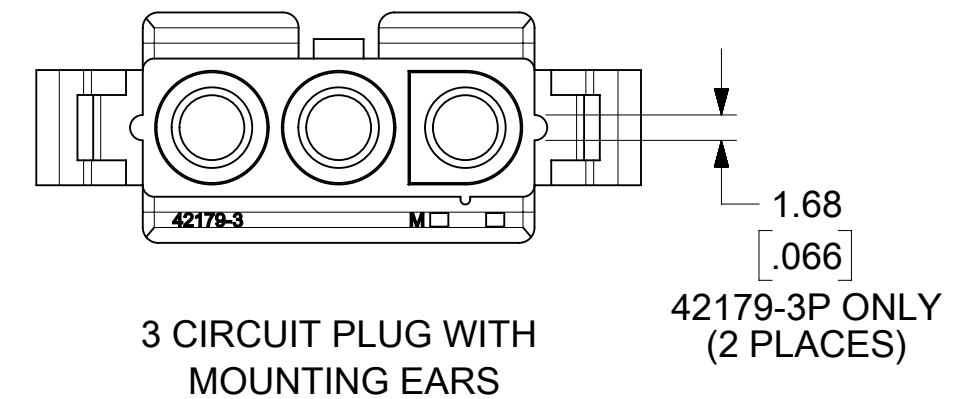
2 CIRCUIT PLUG



RIB TO IDENTIFY CIRCUIT 1



3 CIRCUIT PLUG



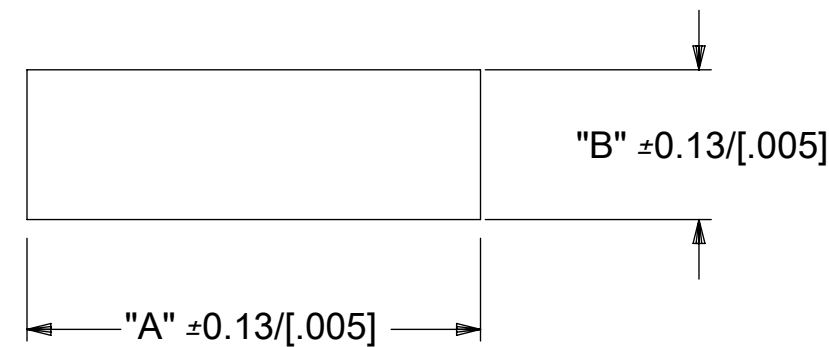
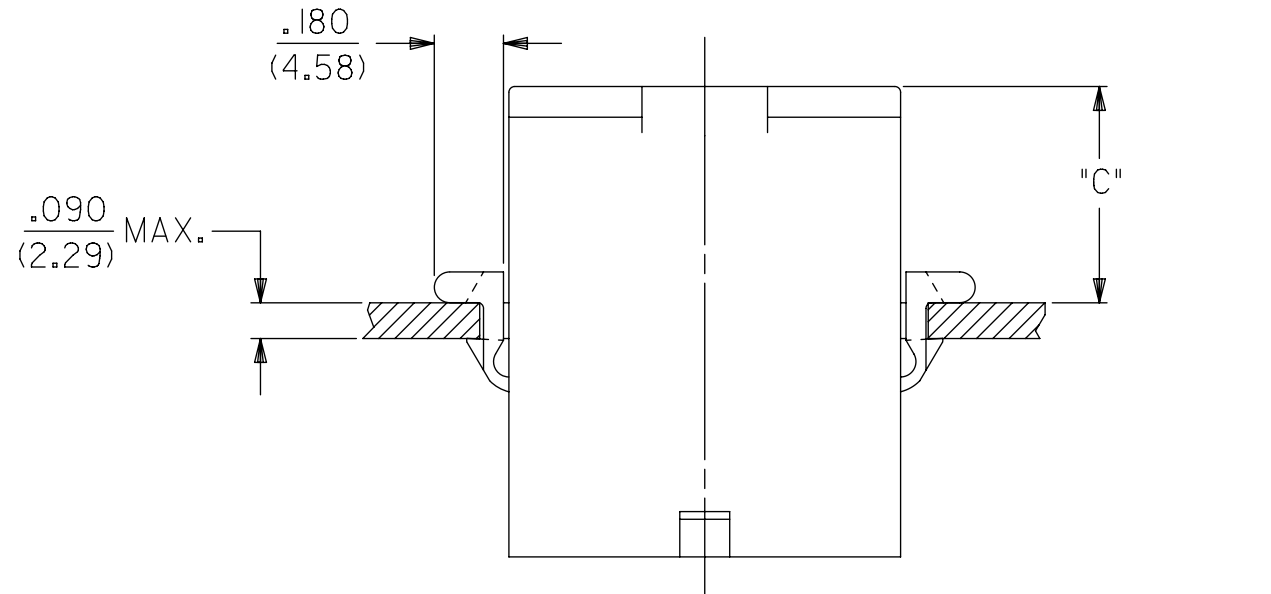
3 CIRCUIT PLUG WITH MOUNTING EARS

PLUGS

THIS DRAWING CONTAINS INFORMATION THAT IS PROPRIETARY TO MOLEX ELECTRONIC TECHNOLOGIES, LLC AND SHOULD NOT BE USED WITHOUT WRITTEN PERMISSION										
CORRECT 7.62 TOL	EC NO: 123491 DRWN: AZAHROVIC CHKD: MKIPPER REV / APPR: FSMITH	GENERAL TOLERANCES (UNLESS SPECIFIED)		DIMENSION UNITS	SCALE	 .125/(3.17) PLUG AND RECEPTACLE HOUSINGS PRODUCT CUSTOMER DRAWING SERIES: 42179 MATERIAL NUMBER: SEE CHART CUSTOMER: GENERAL MARKET DOCUMENT NUMBER: 421790000-SD DOC TYPE: PSD DOC PART: 000 SHEET NUMBER: 2 OF 3				
		MM	INCH	MM/INCH	2:1					
		4 PLACES	±	±	DRWN BY: MKIPPER					DATE: 2017/03/15
		3 PLACES	±	± 0.007	CHK'D BY: JBELL					DATE: 2017/03/17
		2 PLACES	± 0.18	± 0.01	APPR BY: FSMITH					DATE: 2017/03/20
1 PLACES	± 0.25	±	DRAWING SIZE: C	THIRD ANGLE PROJECTION						
0 PLACES	±	±	ANGULAR TOL ±							
DRAFT WHERE APPLICABLE MUST REMAIN WITHIN DIMENSIONS										

PLUGS			
CIRCUITS	PART NO.	ENG. NO.	EARS
2	03-12-2026	42179-2P1	NO
2	03-12-2025	42179-2P	YES
3	03-12-2036	42179-3P1	NO
3	03-12-2035	42179-3P	YES
4	03-12-2046	42179-4P1	NO
4	03-12-2045	42179-4P	YES

RECEPTACLES		
CIRCUITS	PART NO.	ENG. NO.
2	03-12-1026	42179-2R1
3	03-12-1036	42179-3R1
4	03-12-1046	42179-4R1



RECOMMENDED HOLE CUTOUT

CIRCUITS	PLUG PART NO.	DIM. "A"	DIM. "B"	DIM. "C"
2	03-12-2025	21.62 / [.851]	11.18 / [.440]	14.5 / [.57]
3	03-12-2035	30.00 / [1.181]		
4	03-12-2045	38.38 / [1.511]		

NOTES:

1. MATERIAL: NYLON (PA6/6), UL94V-2, COLOR-NATURAL (TRANSLUCENT)
2. FINISH: NONE
3. PRODUCT SPECIFICATION: PSX-42179
4. PACKAGING SPECIFICATION: PK-42179-001
5. PART ACCEPTS A MAXIMUM .250/(6.35) INSULATION DIAMETER WIRE.
6. FOR USE WITH ALL MOLEX .125/(3.17) DIAMETER SERIES TERMINALS EXCEPT THE 1219/1220 SERIES.
7. PARTS CONFORM TO CLASS B REQUIREMENTS OF COSMETIC SPECIFICATION PS-45499-002.
8. THIS DRAWING REPLACES SD-42179-2*, SD-42179-3*, AND SD-42179-4*.

THIS DRAWING CONTAINS INFORMATION THAT IS PROPRIETARY TO MOLEX ELECTRONIC TECHNOLOGIES, LLC AND SHOULD NOT BE USED WITHOUT WRITTEN PERMISSION

CORRECT 7.62 TOL EC NO: 123491 DRWN: AZAHROVIC CHKD: MKIPPER REV / APPR: FSMITH	GENERAL TOLERANCES (UNLESS SPECIFIED)		DIMENSION UNITS	SCALE	<p>.125/(3.17) PLUG AND RECEPTACLE HOUSINGS</p> <p>PRODUCT CUSTOMER DRAWING</p> <p>SERIES: 42179 MATERIAL NUMBER: SEE CHART CUSTOMER: GENERAL MARKET</p> <p>DOCUMENT NUMBER: 421790000-SD DOC TYPE: PSD DOC PART: 000 SHEET NUMBER: 3 OF 3</p>
			MM/INCH	2:1	
	4 PLACES	±	±	DRWN BY: MKIPPER DATE: 2017/03/15	
	3 PLACES	±	± 0.007	CHK'D BY: JBELL DATE: 2017/03/17	
	2 PLACES	± 0.18	± 0.01	APPR BY: FSMITH DATE: 2017/03/20	
	1 PLACES	± 0.25	±		
0 PLACES	±	±			
ANGULAR TOL ±		DRAWING SIZE: C		THIRD ANGLE PROJECTION	
DRAFT WHERE APPLICABLE MUST REMAIN WITHIN DIMENSIONS					