

AN-1702 LP5524 Evaluation Kit

1 LP5524 Overview

The LP5524 is a highly integrated dual-zone LED driver that can drive up to four LEDs in parallel with a total output current of 100 mA. Regulated high side internal current sources deliver excellent current and brightness matching in all LEDs. Extremely low minimum headroom voltage allows the use of operating voltages that are close to LED forward voltages.

LED driver current sources are split into two independently controlled banks for driving secondary displays, keypads and indicator LEDs. Brightness control is achieved by applying PWM signals to each enable pin. Default LED current is 5mA and an optional external resistor can be used to set initial brightness to user required values. LP5524 is available in TI's tiny 9-bump DSBGA package.

2 Evaluation Kit Overview

LP5524 evaluation kit enables designers an easy way to evaluate the performance of the device. The evaluation board has jumpers for each enable pin for easy on/off type control. These inputs can also be fed with external PWM source. Jumpers on LED outputs allow easy LED current measuring. ISET pin has a jumper for selecting between two LED current levels.

The kit supports complete functional evaluation of the circuit. The evaluation kit consists of:

- LP5524 Evaluation Board
- *LP5524 Parallel LED Driver With PWM Brightness Control in DSBGA Package Data Sheet* ([SNVS500](#))
- Evaluation Kit document (this document)

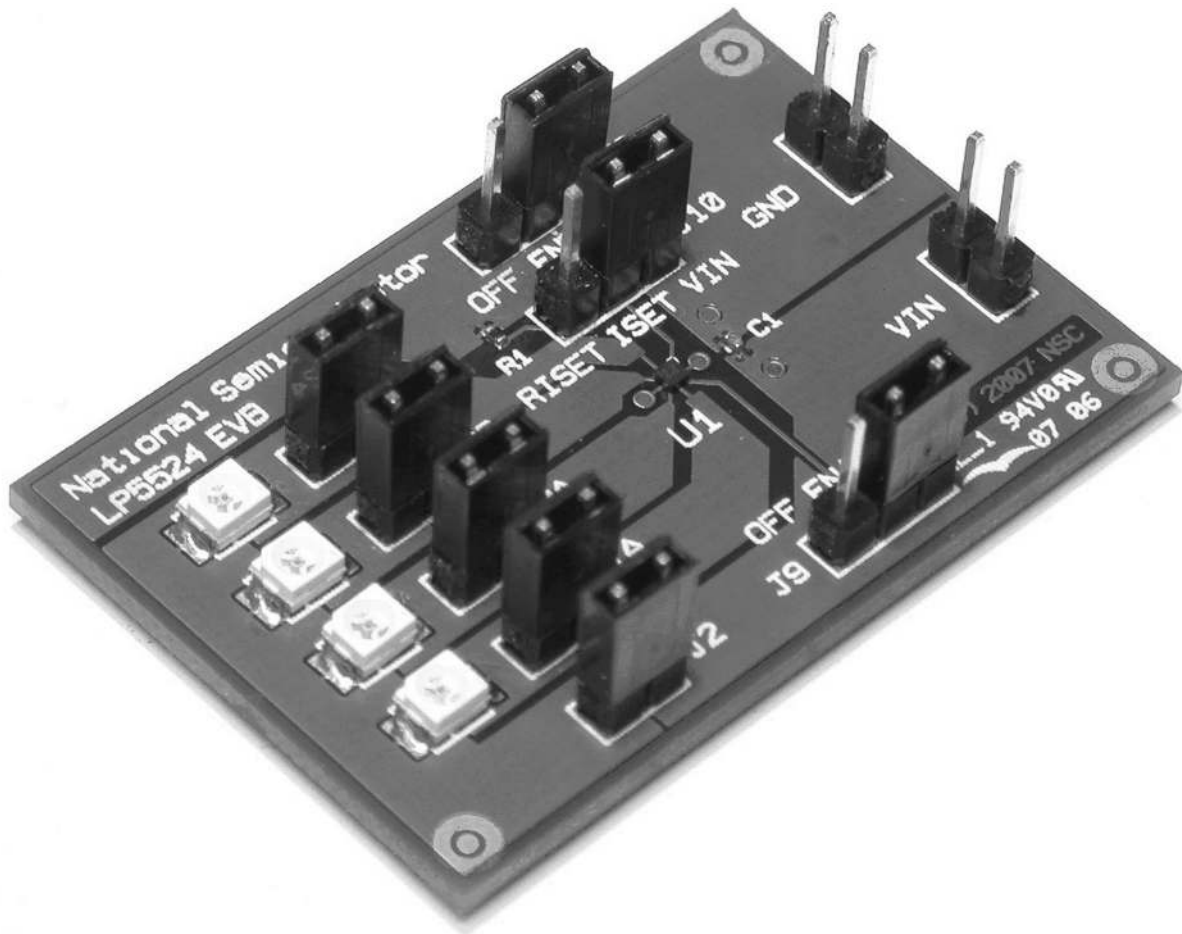


Figure 1. LP5524 Evaluation Board

3 Jumper Description

This describes the jumpers and the connectors on the LP5524 evaluation board.

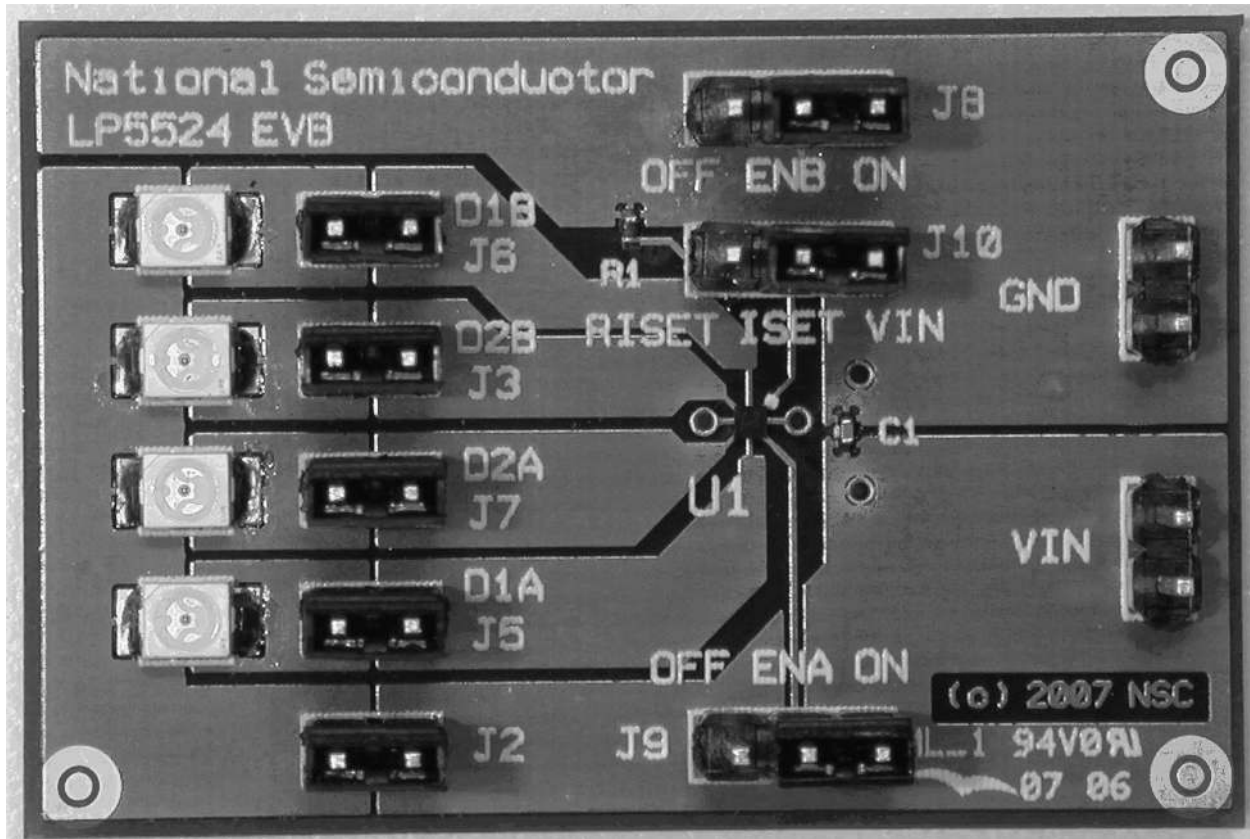


Figure 2. LP5524 Evaluation Board Top View

VIN – J1

This connector is the positive input for power supply. The evaluation board can operate with supply voltages from 2.7 V to 5.5 V. The input leads from power supply should be twisted and kept as short as possible. There is an input capacitor (C1) on board to smooth the input voltage.

GND – J4

This is the negative input for power supply.

J2

This jumper disconnects all LED cathodes from the GND. This can be used to separate the LED currents from the circuit current.

D1B – J6

This jumper can be used to disconnect the D1B output from the LED anode. This can be used to measure the D1B current.

D2B - J3

This jumper can be used to disconnect the D2B output from the LED anode. This can be used to measure the D2B current.

D2A – J7

This jumper can be used to disconnect the D2A output from the LED anode. This can be used to measure the D2A current.

D1A – J5

This jumper can be used to disconnect the D1A output from the LED anode. This can be used to measure the D1A current.

D2A – J7

This jumper can be used to disconnect the D2A output from the LED anode. This can be used to measure the D2A current.

ENB – J8

This is the ENB input. A three pin connector is applied to allow ENB to be connected either to V_{IN} or to GND. The center pin is connected directly to ENB pin. This pin can be used to connect external PWM signal. Smaller than 300 Hz PWM frequency is recommended.

ISET – J10

ISET pin jumper. This can be used to connect the ISET pin either to V_{IN} or to onboard RISET resistor. Connecting ISET to V_{IN} sets the LED current to default 5mA and connecting it to RISET sets the current to 15.6 mA. Center pin is connected directly to ISET pin and it can be used to connect external current set resistors.

ENA – J9

This is the ENA input. A three pin connector is applied to allow ENA to be connected either to V_{IN} or to GND. The center pin is connected directly to ENA pin. This pin can be used to connect external PWM signal. Smaller than 300 Hz PWM frequency is recommended.

4 Getting Started

The following instructions show how to set up and use the LP5524 evaluation kit. Use ESD protection to prevent any unwanted damaging ESD events.

1. Check the onboard jumpers. Jumpers on the LED outputs (J3, J5-J7) and the jumper from LED cathodes to gnd (J2) should be on. Remove jumpers from enables (J8 and J9). ISET can be connected either to V_{DD} or RISET.
2. Connect evaluation board to a power supply. Check that operation voltage is between 2.7 V to 5.5 V.
3. Set the enable jumpers to ON position. ENA jumper enables drivers D1A and D2A and ENB jumper enables drivers D1B and D2B.
4. The Evaluation Kit is now ready to use.

4.1 Current Measurements

To measure the current of a single LED driver remove the jumper from that driver's output and connect current meter to jumper's pins. To measure the current of all LEDs remove the J2 jumper and connect current meter to J2 pins. To measure the current consumption of the device separate the LED ground current from the board's ground current by removing the J2 jumper and connecting the LED ground to power supply ground with separated wire. Then connect the current meter to evaluation board's ground wire. [Figure 3](#) illustrates how to measure different currents.

4.2 PWM Dimming

To dim the LEDs, feed a proper PWM signal to ENx pin. Less than 300 Hz PWM frequency is recommended. Ensure that the PWM signals are high and that the low levels are adequate.

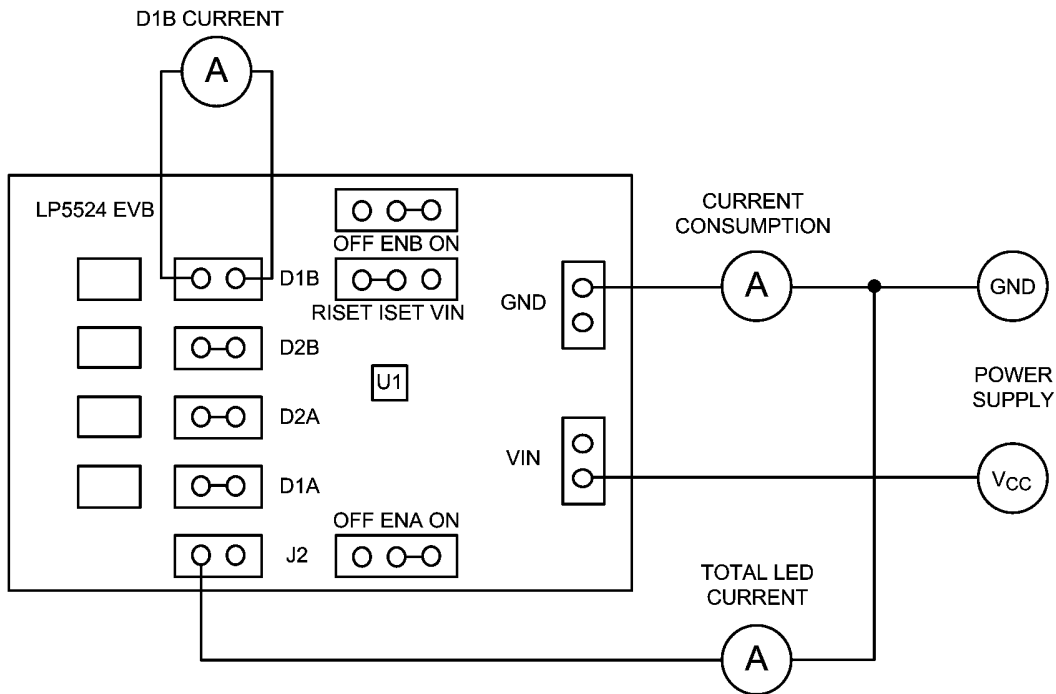


Figure 3. LP5524 Evaluation Board Current Measurements

5 Board Layout

A four layer board was used to enable the use of micro-VIAs. Micro VIA is required for routing the center pad of the LP5524. The evaluation board layers are:

- Top, component side, signal
- Layer 2, V_{IN} plane (signal)
- Layer 3, GND plane
- Bottom, GND plane

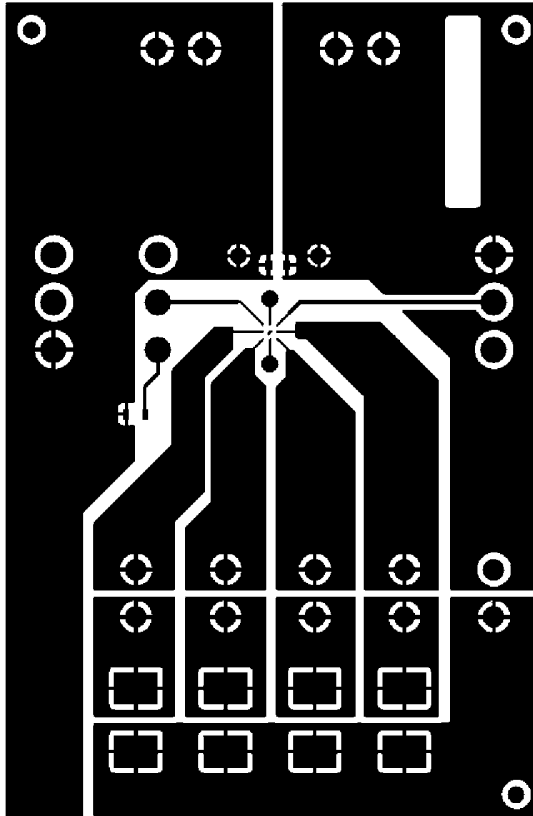


Figure 4. LP5524 Evaluation Board Layer 1 (Top).

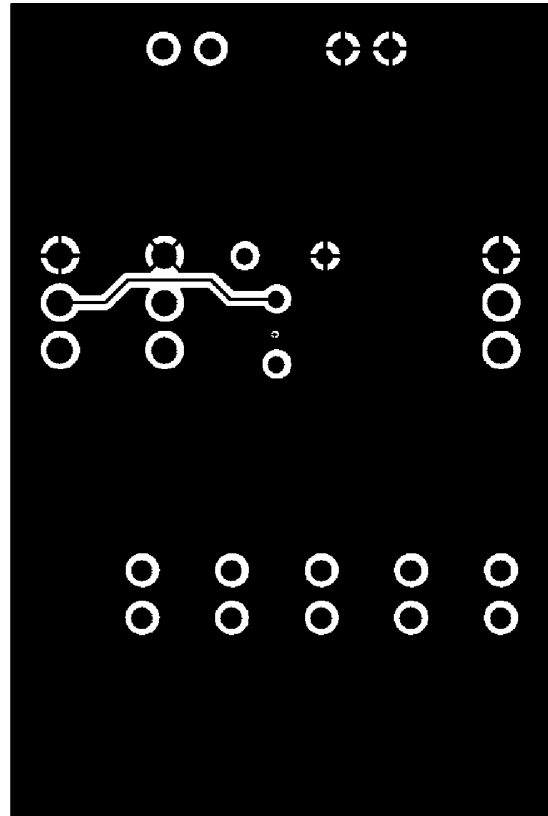


Figure 5. LP5524 Evaluation Board Layer 2.

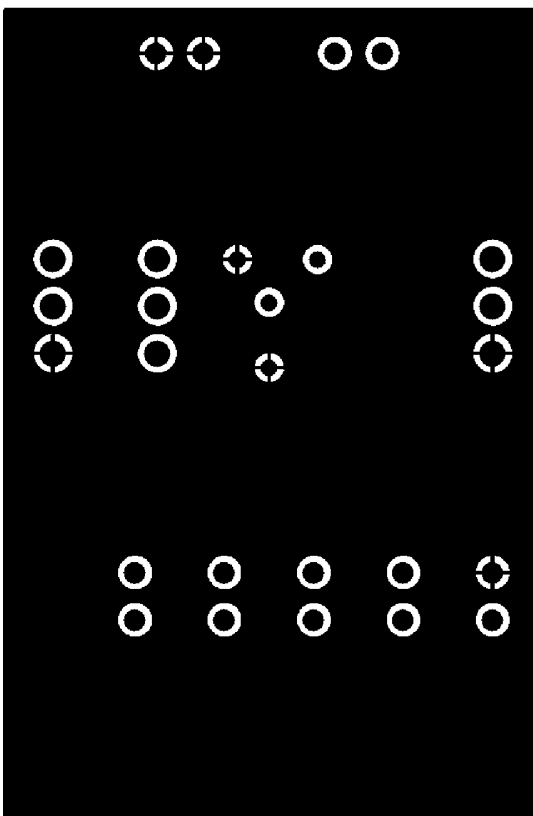


Figure 6. LP5524 Evaluation Board Layer 3.

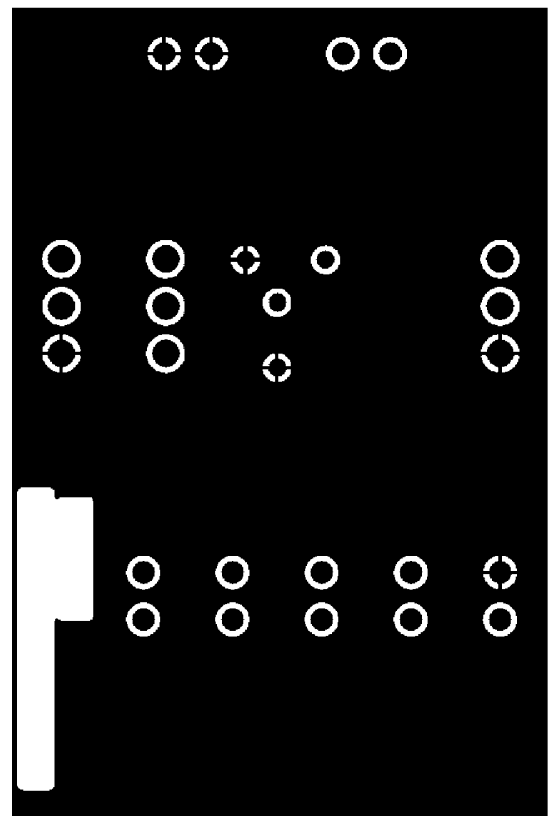


Figure 7. LP5524 Evaluation Board Layer 4 (Bottom)

6 Schematic

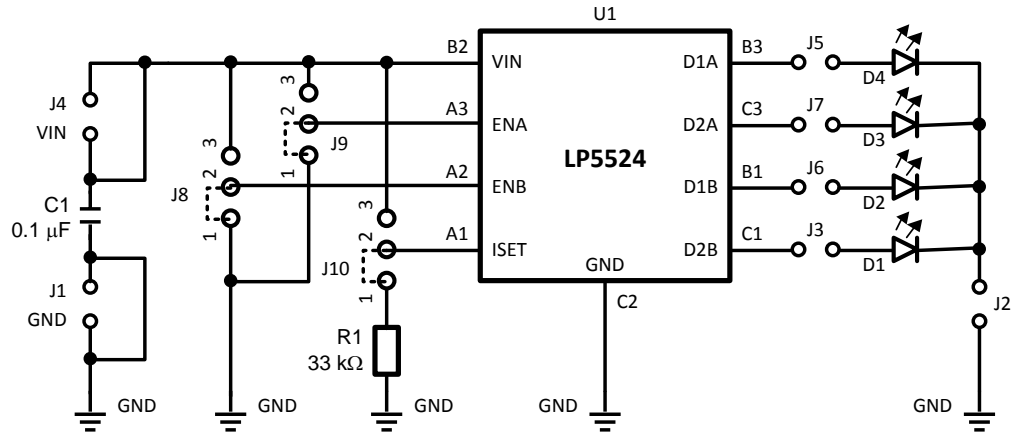


Figure 8. LP5524 Evaluation Board Schematic

7 List of Components

Reference	Model	Type	Vendor	Size
C1	100 nF 10 V	Ceramic X5R	TDK	0402 (1005)
R1	33kΩ 1%	-	-	0402 (1005)
D1 -D4	LS T676	LED Red	Osram	3.0 mm x 3.4 mm x 2.1 mm
U1	LP5524	-	TI	1.215 mm x 1.215 mm x 0.6 mm

IMPORTANT NOTICE

Texas Instruments Incorporated and its subsidiaries (TI) reserve the right to make corrections, enhancements, improvements and other changes to its semiconductor products and services per JESD46, latest issue, and to discontinue any product or service per JESD48, latest issue. Buyers should obtain the latest relevant information before placing orders and should verify that such information is current and complete. All semiconductor products (also referred to herein as "components") are sold subject to TI's terms and conditions of sale supplied at the time of order acknowledgment.

TI warrants performance of its components to the specifications applicable at the time of sale, in accordance with the warranty in TI's terms and conditions of sale of semiconductor products. Testing and other quality control techniques are used to the extent TI deems necessary to support this warranty. Except where mandated by applicable law, testing of all parameters of each component is not necessarily performed.

TI assumes no liability for applications assistance or the design of Buyers' products. Buyers are responsible for their products and applications using TI components. To minimize the risks associated with Buyers' products and applications, Buyers should provide adequate design and operating safeguards.

TI does not warrant or represent that any license, either express or implied, is granted under any patent right, copyright, mask work right, or other intellectual property right relating to any combination, machine, or process in which TI components or services are used. Information published by TI regarding third-party products or services does not constitute a license to use such products or services or a warranty or endorsement thereof. Use of such information may require a license from a third party under the patents or other intellectual property of the third party, or a license from TI under the patents or other intellectual property of TI.

Reproduction of significant portions of TI information in TI data books or data sheets is permissible only if reproduction is without alteration and is accompanied by all associated warranties, conditions, limitations, and notices. TI is not responsible or liable for such altered documentation. Information of third parties may be subject to additional restrictions.

Resale of TI components or services with statements different from or beyond the parameters stated by TI for that component or service voids all express and any implied warranties for the associated TI component or service and is an unfair and deceptive business practice. TI is not responsible or liable for any such statements.

Buyer acknowledges and agrees that it is solely responsible for compliance with all legal, regulatory and safety-related requirements concerning its products, and any use of TI components in its applications, notwithstanding any applications-related information or support that may be provided by TI. Buyer represents and agrees that it has all the necessary expertise to create and implement safeguards which anticipate dangerous consequences of failures, monitor failures and their consequences, lessen the likelihood of failures that might cause harm and take appropriate remedial actions. Buyer will fully indemnify TI and its representatives against any damages arising out of the use of any TI components in safety-critical applications.

In some cases, TI components may be promoted specifically to facilitate safety-related applications. With such components, TI's goal is to help enable customers to design and create their own end-product solutions that meet applicable functional safety standards and requirements. Nonetheless, such components are subject to these terms.

No TI components are authorized for use in FDA Class III (or similar life-critical medical equipment) unless authorized officers of the parties have executed a special agreement specifically governing such use.

Only those TI components which TI has specifically designated as military grade or "enhanced plastic" are designed and intended for use in military/aerospace applications or environments. Buyer acknowledges and agrees that any military or aerospace use of TI components which have **not** been so designated is solely at the Buyer's risk, and that Buyer is solely responsible for compliance with all legal and regulatory requirements in connection with such use.

TI has specifically designated certain components as meeting ISO/TS16949 requirements, mainly for automotive use. In any case of use of non-designated products, TI will not be responsible for any failure to meet ISO/TS16949.

Products

Audio	www.ti.com/audio
Amplifiers	amplifier.ti.com
Data Converters	dataconverter.ti.com
DLP® Products	www.dlp.com
DSP	dsp.ti.com
Clocks and Timers	www.ti.com/clocks
Interface	interface.ti.com
Logic	logic.ti.com
Power Mgmt	power.ti.com
Microcontrollers	microcontroller.ti.com
RFID	www.ti-rfid.com
OMAP Applications Processors	www.ti.com/omap
Wireless Connectivity	www.ti.com/wirelessconnectivity

Applications

Automotive and Transportation	www.ti.com/automotive
Communications and Telecom	www.ti.com/communications
Computers and Peripherals	www.ti.com/computers
Consumer Electronics	www.ti.com/consumer-apps
Energy and Lighting	www.ti.com/energy
Industrial	www.ti.com/industrial
Medical	www.ti.com/medical
Security	www.ti.com/security
Space, Avionics and Defense	www.ti.com/space-avionics-defense
Video and Imaging	www.ti.com/video

TI E2E Community

e2e.ti.com