

5

4

3

2

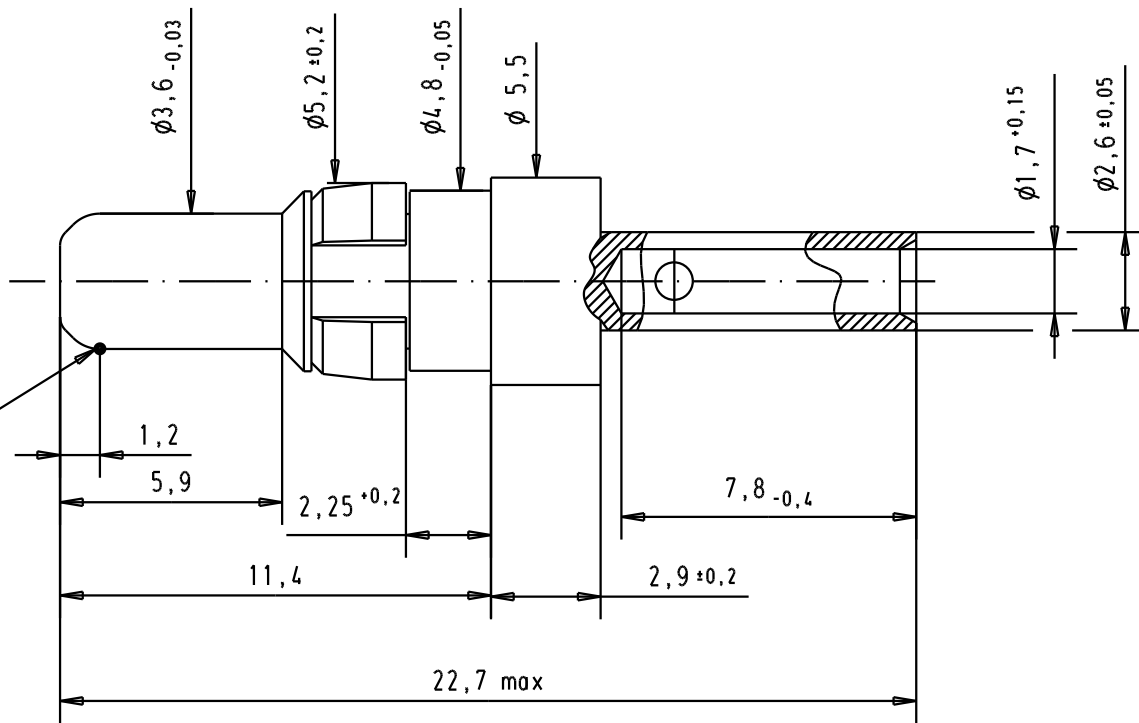
1

D

C

B

Point of plating thickness measurement



Crimping tool: 09 99 000 0509
 Positioner: 09 99 000 0504

A

						Detail.		Date	Name		Male High power contact, 10A, straight cable termination, crimp for AWG 16-20	Maßstab/ Scale 5:1
09692827420	Mating area	0,2 μ m Au				Insp.			JH			
	Termination area	0,2 μ m Au				Stand.						
09692825420	Mating area	0,8 μ m Au	32809	21/04/05	AL	HARTING EURL F-95972 Paris					TB 09 69 282 x420	Blatt / Page 1 / 1
	Termination area	0,2 μ m Au	31887	14/04/04	JH							
Part number	Plating		Mod.	Dat.	Name	Sub.						