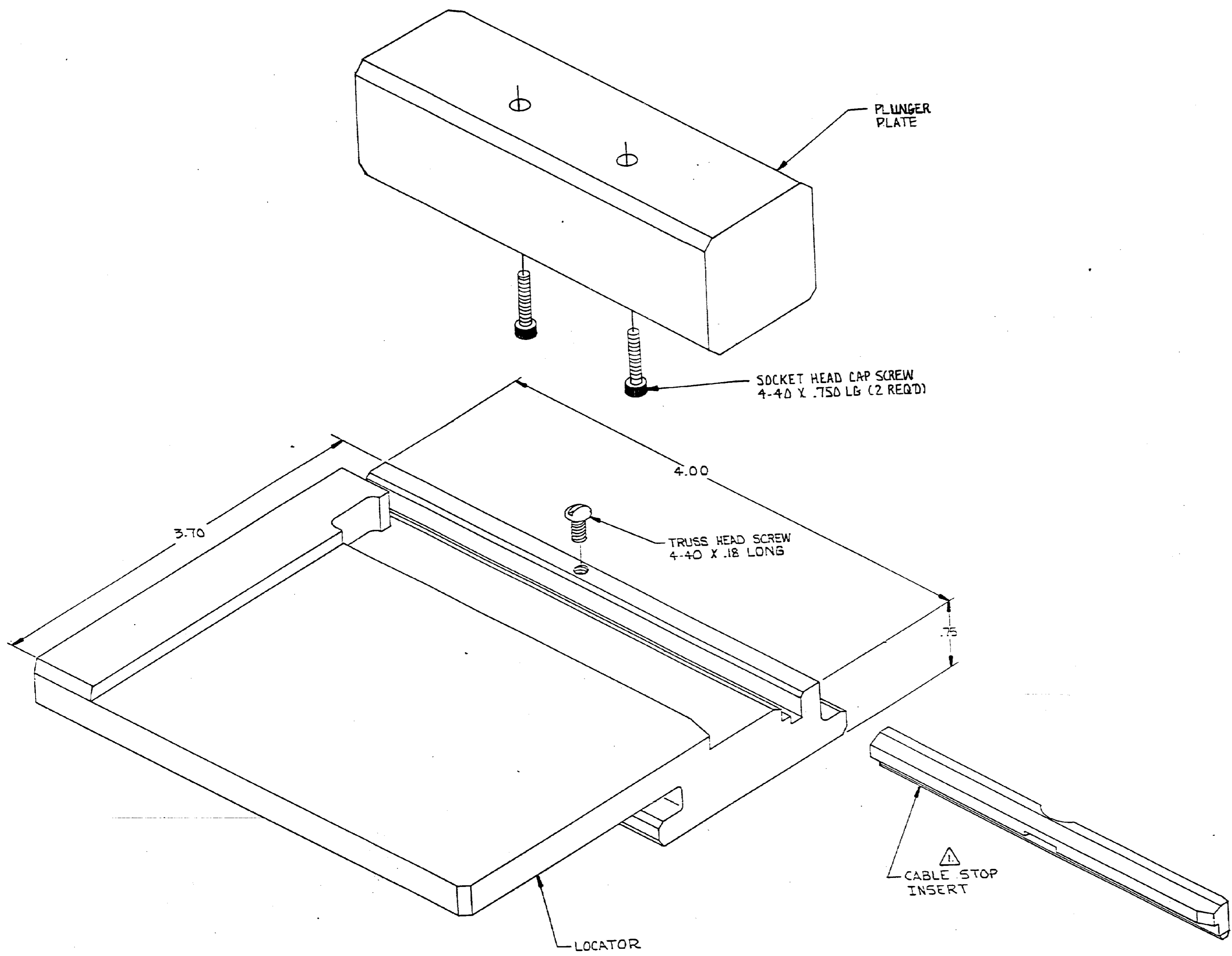


THIS DRAWING IS UNPUBLISHED. RELEASED FOR PUBLICATION  
 COPYRIGHT 1985 BY AMP INCORPORATED, HARRISBURG, PA. ALL INTERNATIONAL RIGHTS RESERVED. AMP PRODUCTS MAY BE COVERED BY U.S. AND FOREIGN PATENTS AND/OR PATENTS PENDING.

REVISIONS		DATE	APPROVED
P	F		
R	A	1-15-85	KS



⚠ CABLE STOP INSERT MAY BE ROTATED TO ACCOMMODATE FEED THRU OR DEAD END TERMINATIONS.

231576-1 AS SHOWN

UNLESS OTHERWISE SPECIFIED DIMENSIONS ARE IN INCHES. TOLERANCES ON: DECIMALS = ANGLES =		CONTRACT NO. DR CHA APPD OSGN APPD OTHER APPD		AMP INCORPORATED Harrisburg, Pa. 17105	
MATERIAL		APPD APPD		NAME LOCATOR KIT	
FINISH		SIZE D	FSCM NO. 00779	DRAWING NO. 231576	
		SCALE NONE		SHEET 1 OF 1	