

© 2020 TE Connectivity. All Rights Reserved.

REVISIONS

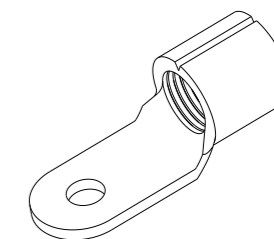
- 1. MAT'L THICKNESS 1.778±0.051 [.070±.002]
- 2. NOTE DELETED.

P	LTR	DESCRIPTION	DATE	DWN	APVD
	A3	REVISED PER ECO-20-004274	07APR2020	SM	DR

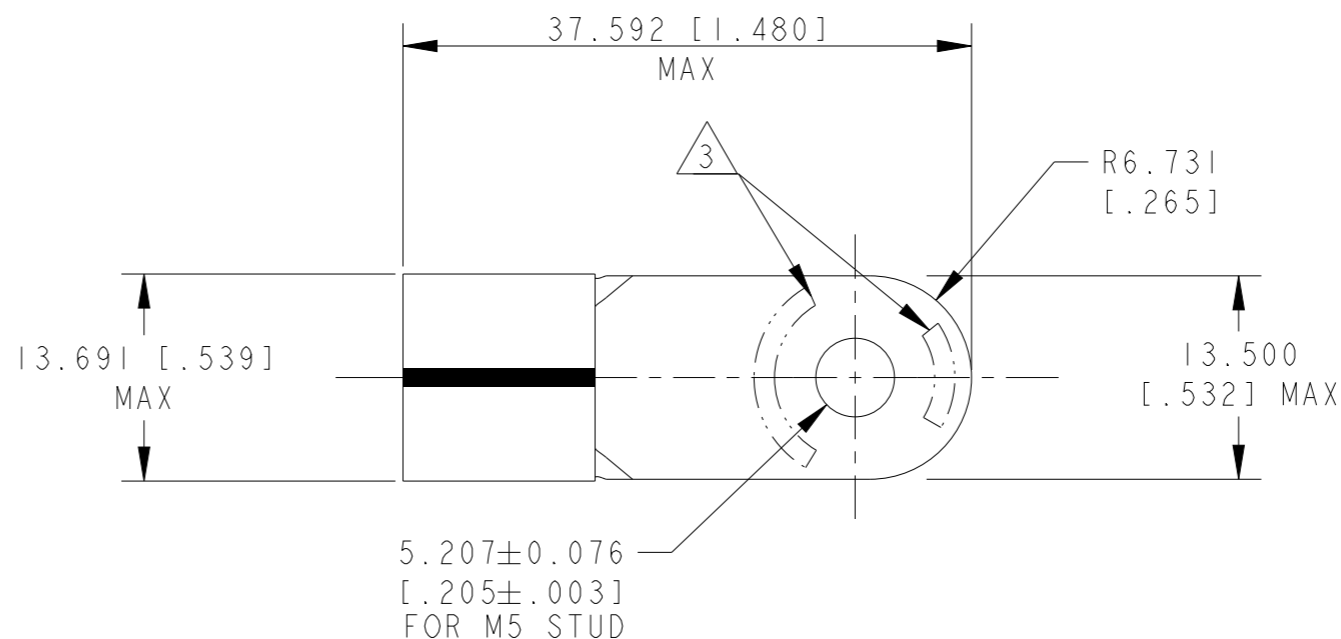
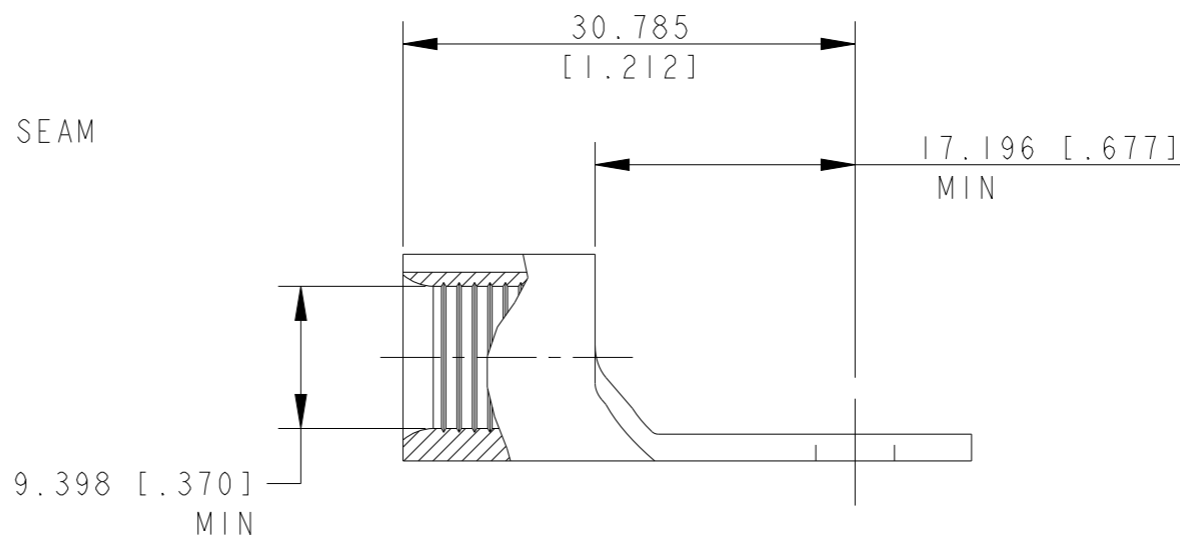
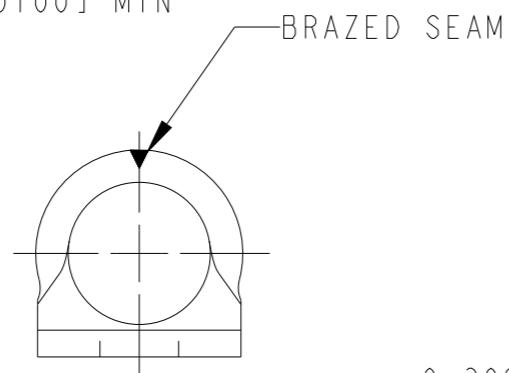
3 STAMP: AMP 2W*60-75 APPROX AS SHOWN

4 MATERIAL: COPPER PER ASTM B152.

5 FINISH: TIN PLATE 0.00254[.000100] MIN EXT THICKNESS PER ASTM B545.



SCALE 1:1



50	LOOSE PIECE	132101-2
QTY	PACKAGE TYPE	PART NUMBER

MAX RECOMMENDED OPERATING TEMPERATURE: 170°C [338°F]
VOLTAGE RATING: N/A
CIRCULAR MIL AREA: 26.7-42.2 mm ² [52,600-83,700] SOLID OR STRANDED

THIS DRAWING IS A CONTROLLED DOCUMENT.	
DIMENSIONS: mm/ INCHES	TOLERANCES UNLESS OTHERWISE SPECIFIED:
	0 PLC ±
	1 PLC ±-
	2 PLC ±
	3 PLC ±0.127[.005]
	4 PLC ±-
	ANGLES ±3
MATERIAL	FINISH
4	5

DWN JJ. DESPRETZ 04JUL2005
CHK G-ROBERT 04JUL2005
APVD Y-PETRONIN 04JUL2005
PRODUCT SPEC
APPLICATION SPEC
WEIGHT

TE Connectivity		NAME	
		TERMINAL, RING TONGUE, SOLISTRAND WIRE SIZE: 2 AWG,	
SIZE	CAGE CODE	DRAWING NO	RESTRICTED TO
A3	-	C-132101	
CUSTOMER DRAWING		SCALE	SHEET
		2:1	1 OF 1
		REV	A3