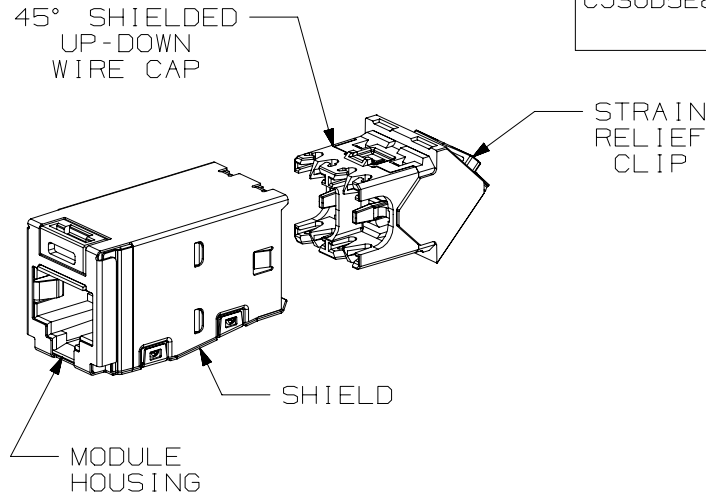


THIS COPY IS PROVIDED ON A RESTRICTED BASIS AND IS NOT TO BE USED IN ANY WAY DETRIMENTAL TO THE INTERESTS OF PANDUIT CORP.

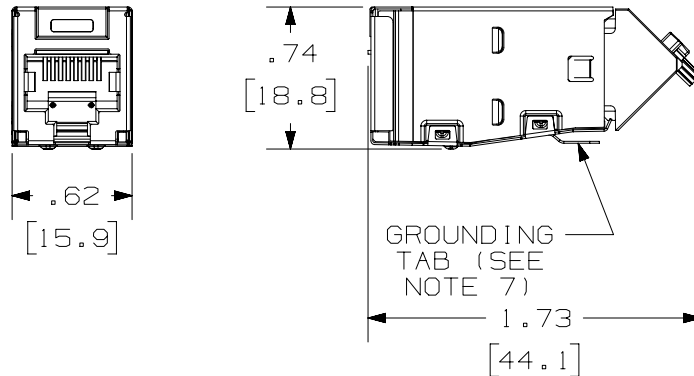
PART NO.	COLOR	DESCRIPTION	WEIGHT*
CJSUD6X88TG**Y	BLACK	8 POSITION, 8-WIRE SHIELDED MODULE WITH INTEGRAL SHIELD. TERMINATION CAP IS COLOR CODED FOR T568A AND T568B WIRING SCHEMES.	3.314 LB/100 PCS [1503 g/100 PCS]
CJSUD688TG**Y	RED		
CJSUD5E88TG**Y	BLUE		
	GREEN		
	VIOLET		
	YELLOW		

\*WEIGHT IS APPROXIMATE  
\*\*JACK COLOR SUFFIX

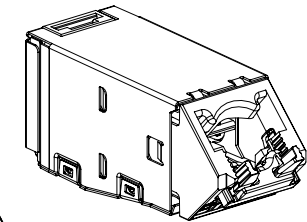
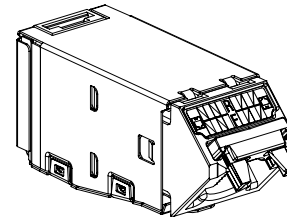


NOTES:

1. BLUE CAP DESIGNATES CAT 6A PERFORMANCE.
2. WHITE CAP DESIGNATES CAT 6 PERFORMANCE.
3. RED CAP DESIGNATES CAT 5E PERFORMANCE.
4. MATERIAL:  
MODULE HOUSING: ABS  
SHIELD: TIN PLATED PHOS. BRONZE  
WIRE CAP/CLIP: ZIND AND PC
5. ALL SHIELDED CATEGORY 6A, 6 & 5E, 8 POSITION 8-WIRE JACK MODULES ARE UNIVERSAL IN DESIGN. THEY ACCEPT SIX AND EIGHT POSITION MODULAR PLUGS WITHOUT DAMAGE.
6. DIMENSIONS IN [ ] ARE METRIC.
7. .187" x .010" GROUNDING TAB PROVIDED AS OPTIONAL CONDUCTIVE PATH FOR GROUNDING
8. ONLY THE COLORS LISTED IN THE TABLE ARE AVAILABLE.
9. RoHS COMPLIANT.



WIRE CAP SHOWN IN "DOWN" DIRECTION



WIRE CAP SHOWN IN "UP" DIRECTION

PART NUMBER		SEE TABLE		
TITLE				
STP JACK MODULE WITH 45-DEGREE UP-DOWN SHIELDED WIRE CAP ASSEMBLY				
CUSTOMER DRAWING				
ITEM REVISION NAME		00108EAD/00		
DATASET FILE NAME		00108EAD_DC/00A		
MATERIAL		SEE NOTES		
DRAWING NUMBER		00108EAD-DC		
DRAWN BY		DATE	CHK	SCALE
BJN		6-12-18	ROJC	FULL
SHEET 1 OF 1		A		

REV	DATE	BY	CHK	APR	DESCRIPTION	ECN
00A	6-12-18	BJN	ROJC	TMBA	RELEASED TO PRODUCTION	00108EAD-DC