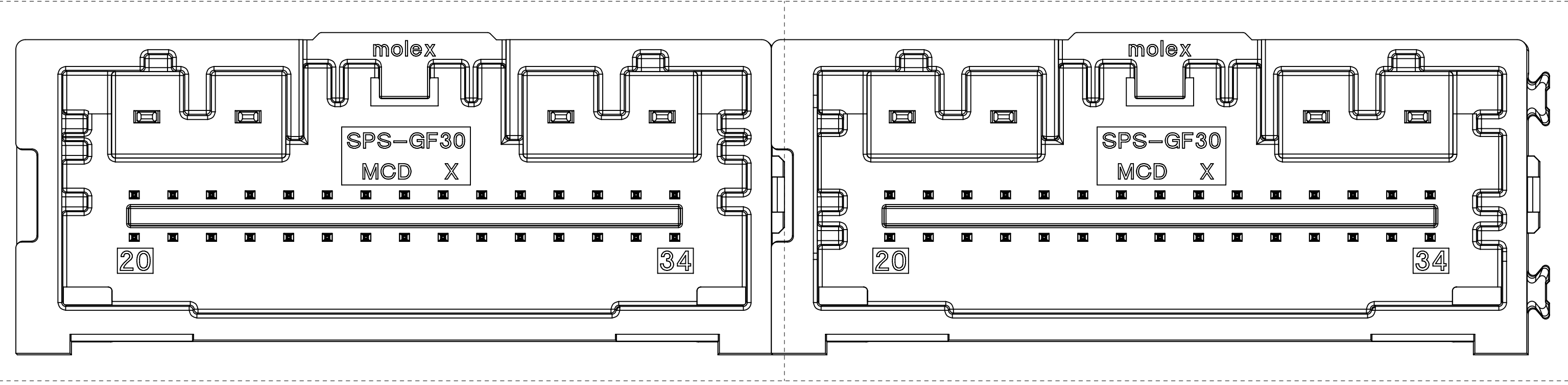


TABLE OF CONTENTS	
SHEET NO.	SHEET DESCRIPTION
1	NOTES, INSPECTION BALLOON NUMBER LOG, NOMINAL DIMENSION RANGE LIST, REV.COLUMN, 2-BAY MINI50 RIGHT ANGLE HEADER ASSEMBLY CHART FOR MULTIBAY CONFIGURATION
2	DETAIL DIMENSION VIEW REFERENCE PCB LAYOUT

2-BAY MINI50 VERTICAL HEADER ASSEMBLY
(P/N 34960-1200 SHOWN)

BAY 'A'

BAY 'B'



NOTES: VALID UNLESS OTHERWISE SPECIFIED

1. GENERAL:

- a. PRODUCT SPECIFICATION: PS-34959-001
- b. APPLICATION SPECIFICATION: AS-34959-001
- c. PACKAGING SPECIFICATION PER MOLEX DRAWING PK-31302-070 (TRAY)
- d. PACKAGING SPECIFICATION PER MOLEX DRAWING PK-31301-688 (TUBE)

ⓑ2 e. COSMETIC SPECIFICATION: PS-45499-002 Class B

ⓑ2 f. GEOMETRIC TOLERANCING: SEE DIN 16901 TABLE

ⓑ2 g. MATES WITH: SD-34959-030

ⓑ2 2. DESIGN: MATERIALS:

- a. SHROUD (PLASTIC HOUSING): RESIN - SPS
- b. PIN ALIGNMENT PLATE:
 - i. RESIN - SPS
 - ii. COLOR - BLACK
- c. 0.50mm BLADES:
 - i. BASE MATERIAL: BRASS
 - ii. PLATING TYPE: AS NOTED
- d. 1.20mm BLADES:
 - i. BASE MATERIAL: BRASS
 - ii. PLATING TYPE: AS NOTED

3. PLATING REQUIREMENTS:

- a. UNDERPLATING - OVERALL NICKEL
- b. OVERPLATING - OVERALL REFLOW TIN

ⓑ2 4. FOR DESCRIPTION OF INDIVIDUAL BAYS, REFER TO THE FOLLOWING SINGLE BAY DRAWINGS, REFER TO SD-34958-300

CHART FOR MULTIBAY CONFIGURATION

2 BAY PART NUMBER (TUBE PKG)	2 BAY PART NUMBER (TRAY PKG)	BAY A					BAY B					STATUS
		P/N	INTERFACE TYPE	POL	COLOR	QTY OF PINS	P/N	INTERFACE TYPE	POL	COLOR	QTY OF PINS	
TBD	34960-1200	34958-0340	34CKT	A	BLACK	34	34958-0341	34CKT	B	GREY	34	SALEABLE
TBD	34960-1210	34958-0380	38CKT	A	BLACK	38	34958-0381	38CKT	B	GREY	38	OBSOLETE
TBD	34960-1220	34958-0340	34CKT	A	BLACK	34	34958-0381	38CKT	B	GREY	38	OBSOLETE
TBD	34960-1211	34958-0383	38CKT	UPDATED A	BLACK	38	34958-0384	38CKT	UPDATED B	GREY	38	SALEABLE
TBD	34960-1221	34958-0340	34CKT	A	GREY	34	34958-0384	38CKT	UPDATED B	GREY	38	SALEABLE

DIN 16901	CODE LETTER	NOMINAL DIMENSION RANGE													
		OVER UP TO	0	1	3	6	10	15	22	30	40	53	70	90	120
PRECISION ENGINEERING	A		±0.10	±0.12	±0.14	±0.16	±0.20	±0.22	±0.24	±0.26	±0.28	±0.31	±0.35	±0.40	±0.50
	B		±0.05	±0.06	±0.07	±0.08	±0.10	±0.12	±0.14	±0.16	±0.18	±0.21	±0.25	±0.30	±0.40

A: FOR NON-MOLD RELATED DIMENSIONS (ACROSS PARTING LINE)
B: FOR MOLD RELATED DIMENSIONS (WITHIN MOLD COMPONENTS)

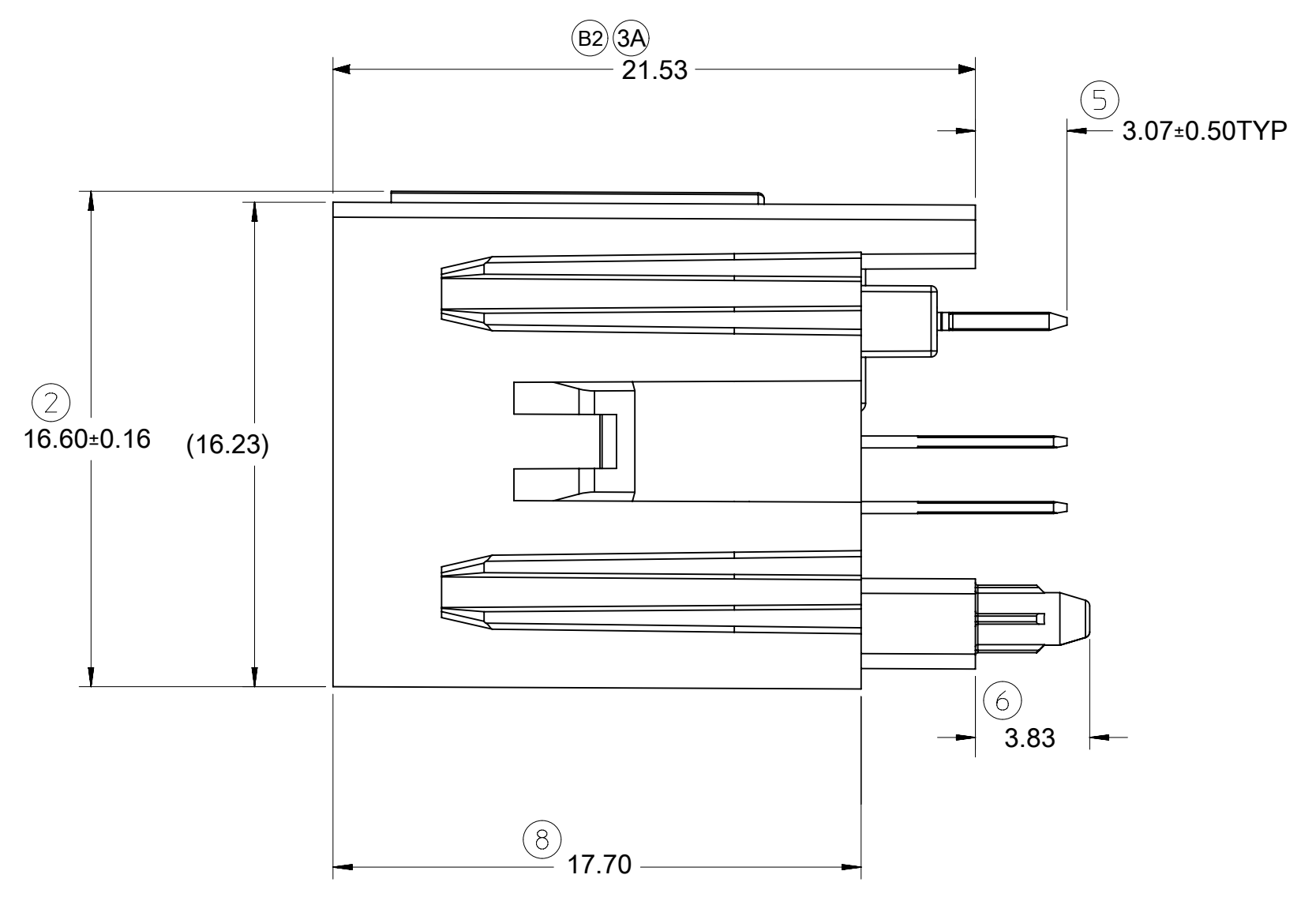
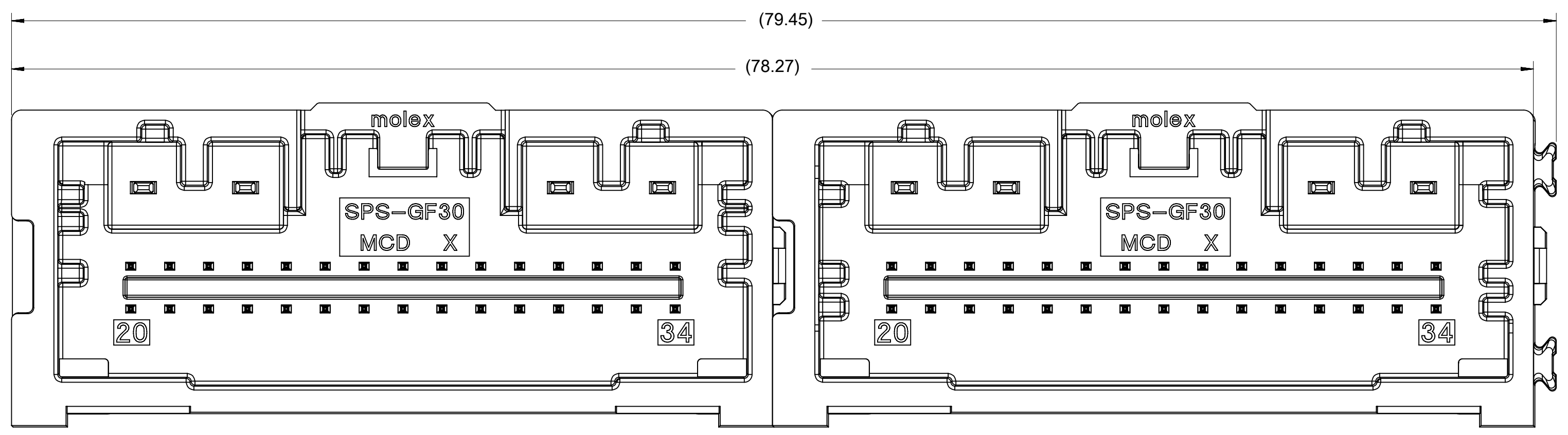
INSPECTION BALLOON NUMBER LOG
PER DRAWING REVISION: B2
LAST BALLOON NUMBER USED: 8
ADDED BALLOON NUMBERS: 3A
REMOVED BALLOON NUMBERS: 1, 3, 4, 9, 10, 11, 12

B2	1. SHEET 1: UPDATED NOTE INFORMATION 2. SHEET 2: ADDED DIM 3A	668374
B1	OBSOLETE PART NUMBERS 349601210 349601220	648358
B	ADDED NEW P/N: 34960-1211 \ 34960-1221 IN THE BOM ON SHEET 1. ADDED PRODUCT STATUS IN THE BOM ON SHEET 1.	612184
REV	REV DESCRIPTION	ECN SAP NO.

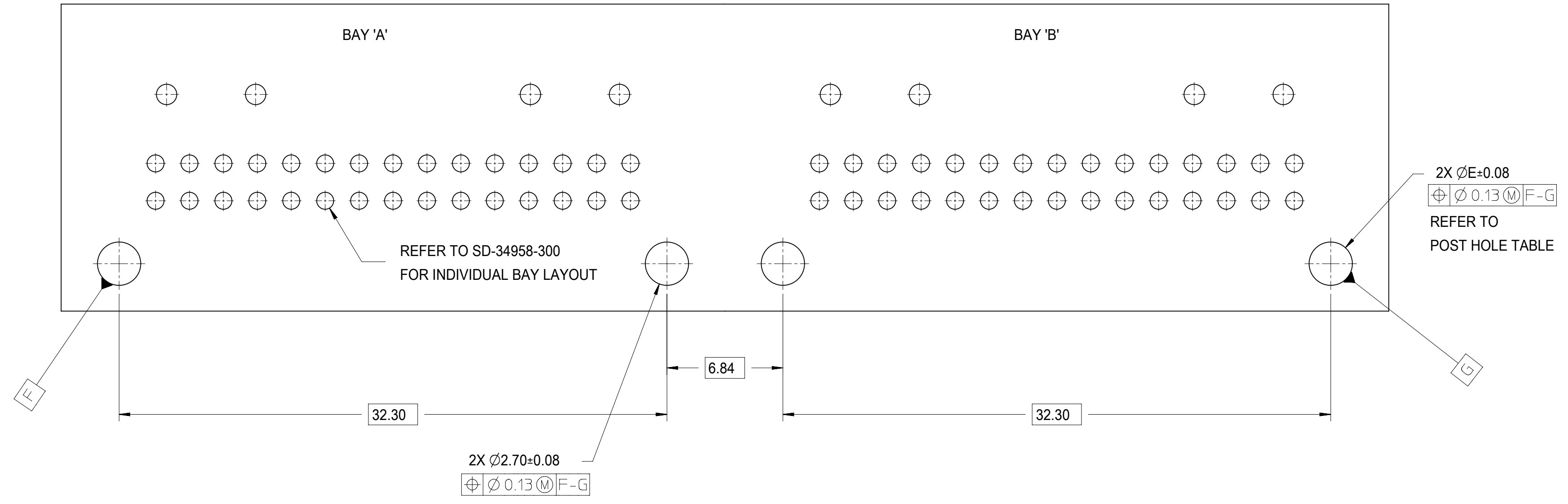
FUNCTIONAL SYMBOLS	THIS DRAWING CONTAINS INFORMATION THAT IS PROPRIETARY TO MOLEX ELECTRONIC TECHNOLOGIES, LLC AND SHOULD NOT BE USED WITHOUT WRITTEN PERMISSION		CURRENT REV DESC:		 34 & 38 CKT MINI50 2-BAY VERTICAL HEADER ASSEMBLY SALES DRAWING			
	DIMENSION UNITS	SCALE						
$\nabla_A = 0$	mm	1:1						
$\nabla_C = 0$	GENERAL TOLERANCES (UNLESS SPECIFIED)							
$\nabla_P = 0$	ANGULAR TOL ± °							
DIVISIONAL SYMBOLS	4 PLACES	±						
	3 PLACES	±						
	2 PLACES	±						
	1 PLACE	±						
	0 PLACES	±						
DRAFT WHERE APPLICABLE MUST REMAIN WITHIN DIMENSIONS		THIRD ANGLE PROJECTION	DRAWING	SERIES	MATERIAL NUMBER	CUSTOMER	SHEET NUMBER	
			D-SIZE	34960	SEE TABLE	GENERAL MARKET	1 OF 2	

DOCUMENT STATUS	P1	RELEASE DATE	2021/07/01	04:00:16
-----------------	----	--------------	------------	----------

TABLE OF CONTENTS	
SHEET NO.	SHEET DESCRIPTION
2	DETAIL DIMENSION VIEW REFERENCE PCB LAYOUT



RECOMMENDED PCB LAYOUT



POST HOLE TABLE:

FOR DIM E:	
PRESS FIT:	2.35
DROP IN:	2.70

FUNCTIONAL SYMBOLS FA = 0 FC = 0 FP = 0 DIVISIONAL SYMBOLS	THIS DRAWING CONTAINS INFORMATION THAT IS PROPRIETARY TO MOLEX ELECTRONIC TECHNOLOGIES, LLC AND SHOULD NOT BE USED WITHOUT WRITTEN PERMISSION DIMENSION UNITS: mm SCALE: 1:1	CURRENT REV DESC: EC NO: 668374 DRWN: SWU31 CHK'D: CDZHANG APPR: CDZHANG				
	GENERAL TOLERANCES (UNLESS SPECIFIED) ANGULAR TOL ± ° 4 PLACES ± 3 PLACES ± 2 PLACES ± 1 PLACE ± 0 PLACES ±	2021/06/28 2021/07/01 2021/07/01				34 & 38 CKT MINI50 2-BAY VERTICAL HEADER ASSEMBLY SALES DRAWING PRODUCT CUSTOMER DRAWING
	DRAFT WHERE APPLICABLE MUST REMAIN WITHIN DIMENSIONS	THIRD ANGLE PROJECTION	DRAWING: D-SIZE SERIES: 34960	MATERIAL NUMBER: SD-34960-1200 CUSTOMER: GENERAL MARKET	DOC TYPE: PSD DOC PART: 001 REVISION: B2	SHEET NUMBER: 2 OF 2
	DOCUMENT STATUS: P1 RELEASE DATE: 2021/07/01 04:00:16					