

Ratings

Voltage: 600 V
 Temperature: -40~105 °C
 Flammability: FT2

Conductor

Conductor count: 5
 Gauge: 30 AWG 0.05 mm²
 Material: tinned copper strands
 Strand size: $\varnothing 0.1 \times 7$
 Resistance at 20 °C: 381 Ω /km max

Insulator

Material: mPPE
 Color: red, black, white, yellow, blue
 Diameter: $\varnothing 0.8 \pm 0.08$ mm
 Average thickness: 0.23 mm
 Minimum thickness: 0.18 mm
 Resistance at 20 °C: 100 M Ω /km min

Shield

Type: foil
 Material: aluminum mylar
 Coverage: 100%

Filler

Material: cotton rope

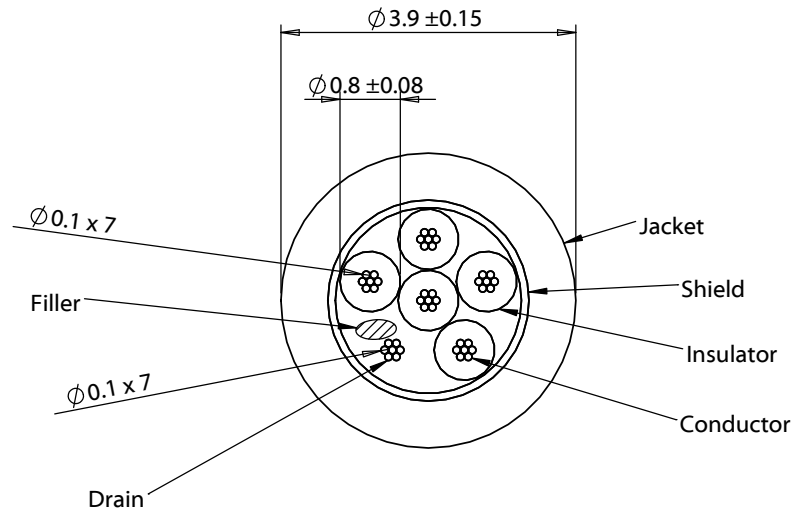
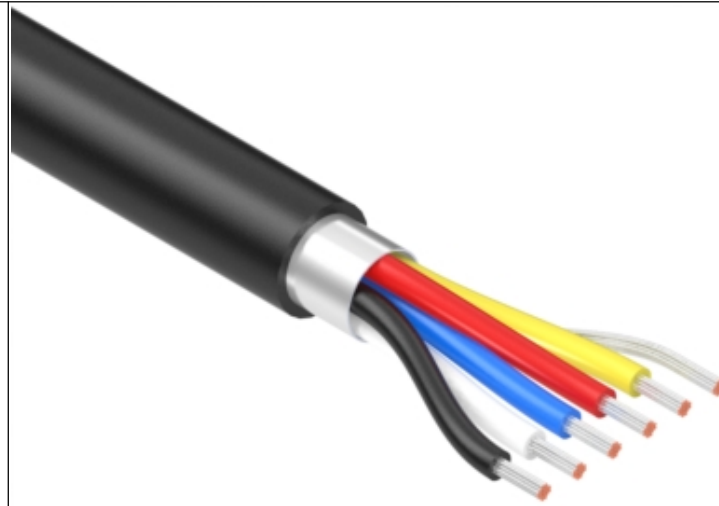
Outer jacket

Material: mPPE, 85A
 Color: black
 Diameter: $\varnothing 3.9 \pm 0.15$ mm
 Average thickness: 0.82 mm
 Minimum thickness: 0.57 mm

Wire marking: E339579 UL AWM STYLE 21509 30 AWG 105°C 600V --- cUL AWM I A 105°C 600V FT2 TENSILITY

Bend radius

Minimum: 6 times diameter (23.4 mm)



Revision:	Date:	Description:	Prepared:	Notes:	<h1>TENSILITY</h1> <p>tel 1.541.323.3228 800 877.670.7118 fax 1.541.323.4202 web tensility.com</p>	
A	4/20/2020	Initial release	JC <small>Digitally signed by JC Date: 2020.04.21 15:16:34 -0700</small>	RoHS compliant		
			Verified: AW <small>Digitally signed by AW Date: 2020.04.21 16:30:48 -0700</small>	Phthalate and halogen free	Size: Part number:	
			Dimensions are in millimeters. Tolerances: X: ± 0.5 mm X.X: ± 0.3 mm X.XX: ± 0.05 mm	Description: Wire, 5C TS, 30 AWG, 21509, 600V, 105C, 3.9 mm, shielded, FT2, mPPE	A 30-01462	
					Scale: 10:1	Sheet 1 of 1