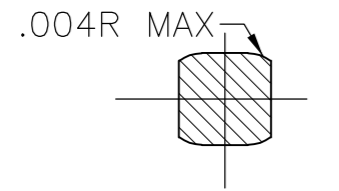
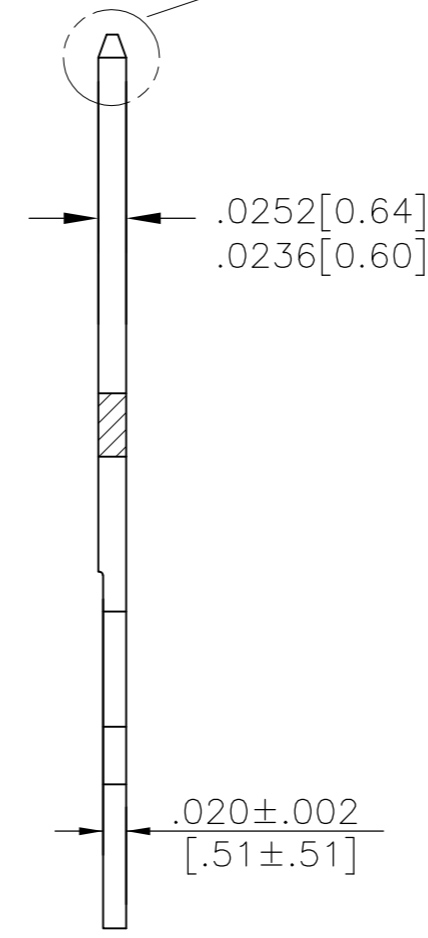
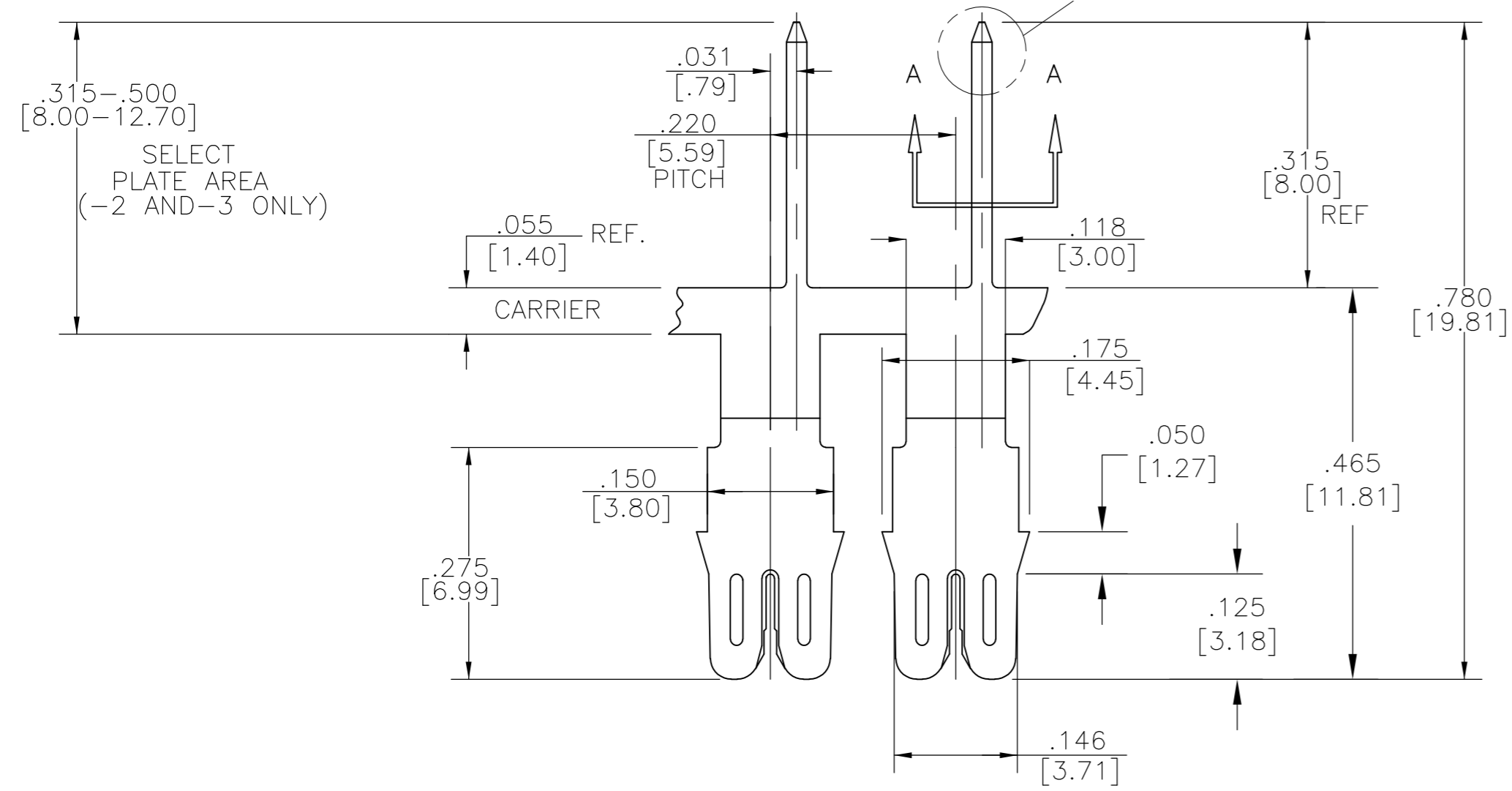
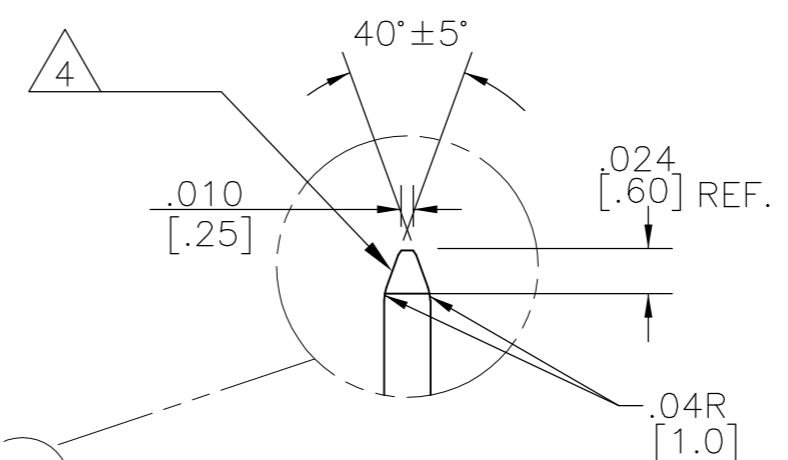
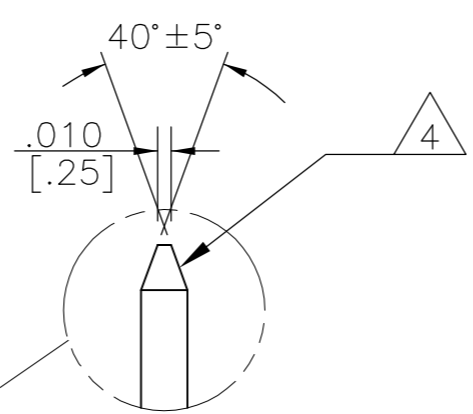


THIS DRAWING IS UNPUBLISHED. RELEASED FOR PUBLICATION  
 © COPYRIGHT - By - ALL RIGHTS RESERVED.

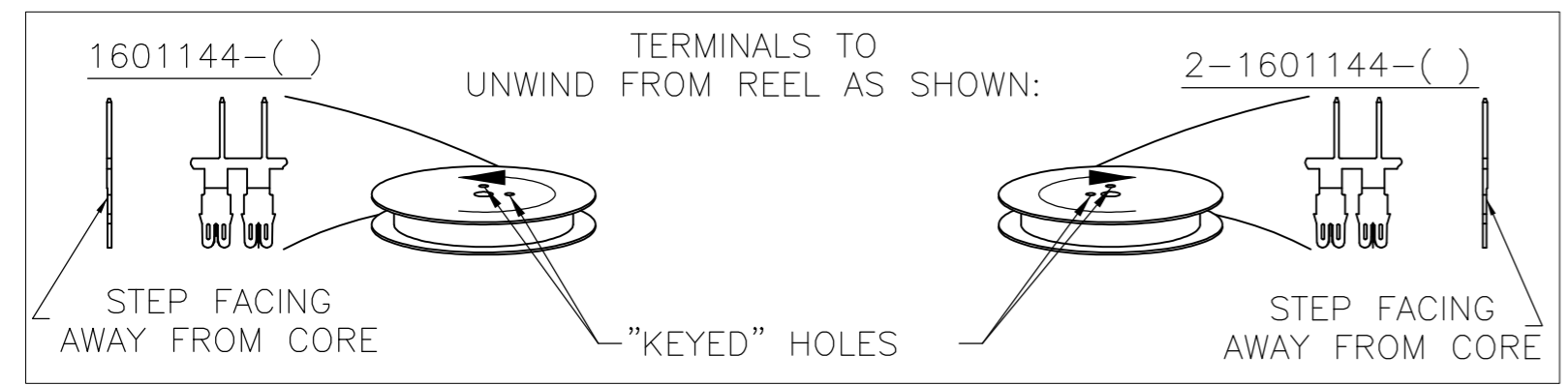
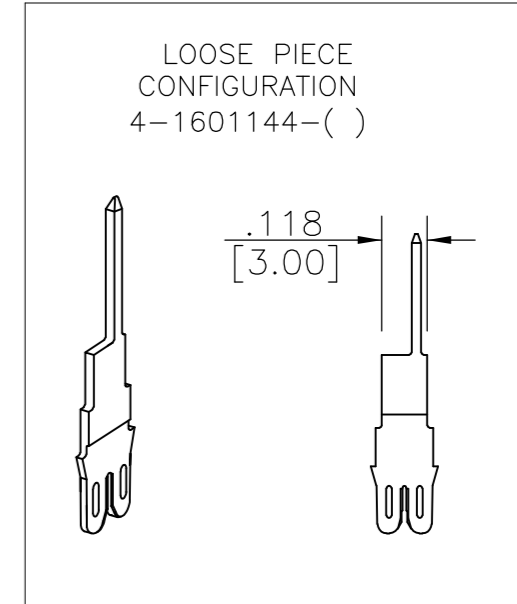
LOC	DIST	REVISIONS			
P	LTR	DESCRIPTION	DATE	DWN	APVD
AF	50	B3	REVISED PER ECR-13-015346	03OCT2013	KH GJ



SECTION A-A  
20 X SCALE



- SPECIFICATIONS:  
WIRE:(2) #20 AWG RESISTOR  
LEADS .031"  $\phi$ (0.812 mm)
- POCKET RECOMMENDATION:  
#1601424.
- TERMINAL APPLICATION TO COMPLY WITH TYCO ELECTRONICS SPECIFICATION 114-13166. CONSULT TYCO ELECTRONICS ENGINEERING FOR THE PROPER INSERTION DEPTH.
- TIP MAY BE RADIUSED WITHIN DIMENSIONS SHOWN AND HAVE CONVEX SIDES.
- TWO(2) TERMINALS SHOWN FOR ILLUSTRATION PURPOSES ONLY
- PRELIMINARY - NOT FOR PRODUCTION



	-	-
	-	-
	PRE-TIN PLATE OVER NICKEL UNDERPLATE	$\triangle 6$ 1601144-4
	SELECTIVE POST TIN PLATE OVER NICKEL UNDERPLATE	159-003-120 1601144-3
OBSOLETE	POST TIN-LEAD PLATE OVER NICKEL UNDERPLATE	159-003-119 1601144-2
	UNPLATED	159-003-000 1601144-1
	FINISH	REFERENCE PART NUMBER PART NUMBER

THIS DRAWING IS A CONTROLLED DOCUMENT.		DWN J.WELLER 11JAN2002	TE Connectivity
DIMENSIONS: INCHES		CHK M.FEHER 11JAN2002	
TOLERANCES UNLESS OTHERWISE SPECIFIED:		APVD K.RANDOLPH 11JAN2002	
0 PLC $\pm$ - 1 PLC $\pm$ - 2 PLC $\pm$ .01[0.13] 3 PLC $\pm$ .005[0.26] 4 PLC $\pm$ - ANGLES $\pm$ 2°		NAME	
MATERIAL BRASS, 3/4 HARD		FINISH SEE TABLE	MULTIPLE WIRE I.D.C.TO OFFSET SQUARE PIN SIAMEZE TERMINAL SIZE A2 CAGE CODE 00779 DRAWING NO C=1601144 RESTRICTED TO - WEIGHT - SCALE 1:1 SHEET 1 of 1 REV B3