

# Bluetooth® 5.0 low energy Module: EYSKBNZWB

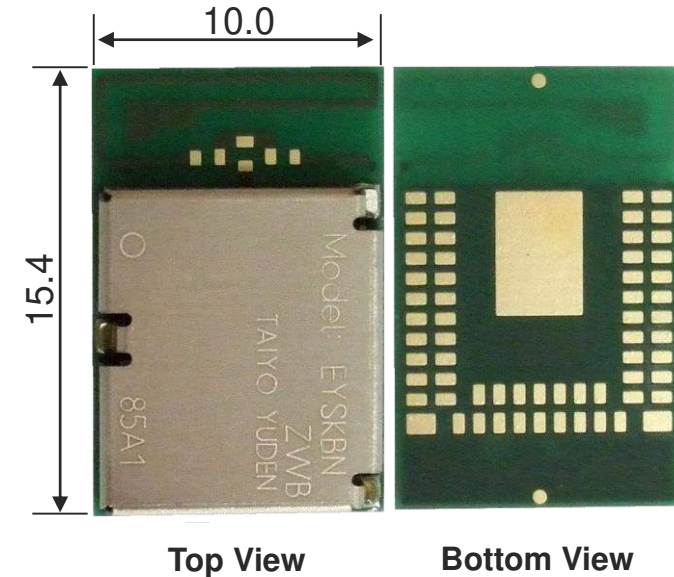
## Features

- Frequency: 2402 to 2480 MHz with **+8dBm** Output power
- Single power supply: 1.7 – 5.5V
- Single Mode **Bluetooth 5.0 / 802.15.4** (e.g. Thread, Zigbee)
- **Bluetooth 5 data rate support: 2M / 1M / 500k / 125kbps**
- Chip: **nRF52840** (Nordic)
- Integrated System/**Sleep Clock, 2 x LC for DC/DC**
- Integrated high performance PCB antenna
- **ARM® Cortex M4F** 32bit processor and **1MB Flash & 256kB RAM**
- **ARM® TrustZone® Cryptocell 310 cryptographic accelerator**
- Interface: **USB, NFC-A, SPI, UART, I2C, I2S, PDM** and 12bit ADC
- Outline: **10.0 x 15.4 x 2.0** mm
- Operating Temperature range: -40 to 85 deg-C
- Bluetooth and Japan, FCC, IC qualified
- ETSI EN 300 328 v2.1.1 Conducted Test Report Available
- RoHS compliant / Complete Lead Free

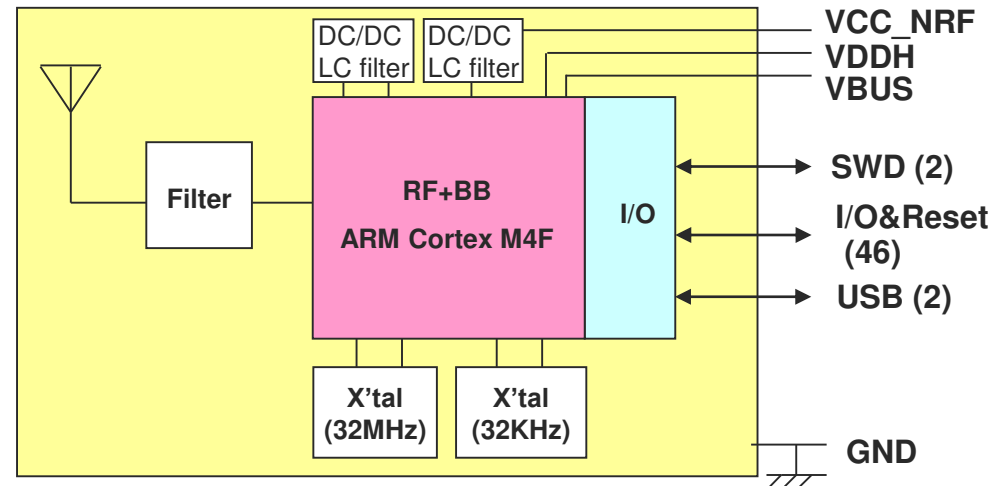
## Applications

- Advanced wearables
  - Connected watches
  - Advanced personal fitness devices
  - Wearables with wireless payment
  - Connected health
  - Virtual/Augmented reality applications
- Internet of Things
  - Smart home sensors and controllers
  - Industrial IoT sensors and controllers
- Interactive entertainment devices

## Outline



## Block Diagram



All specifications are subject to change without notice.

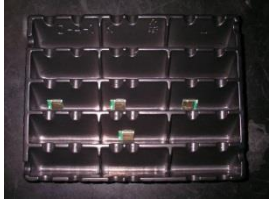
The Bluetooth® word mark and logos are owned by the Bluetooth SIG, Inc. and any use of such marks by TAIYO YUDEN CO., LTD. is under license.

**TAIYO YUDEN**

# Bluetooth® low energy Module Sample, Evaluation Board / Kit

## EYSKBNZWB (Module)

### Module samples



or



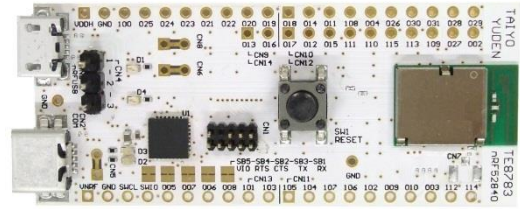
Tray

Tape



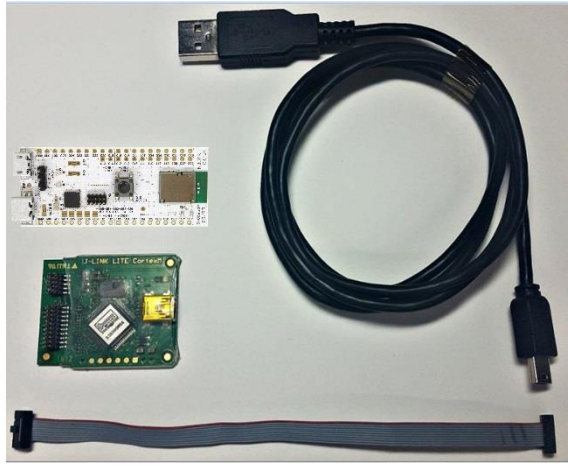
## EBSKBNZWB (EV-B)

### Evaluation board



## EKSKBNZWB (EV-K)

### Evaluation kit



SEGGER  
J-Link LITE  
Attached