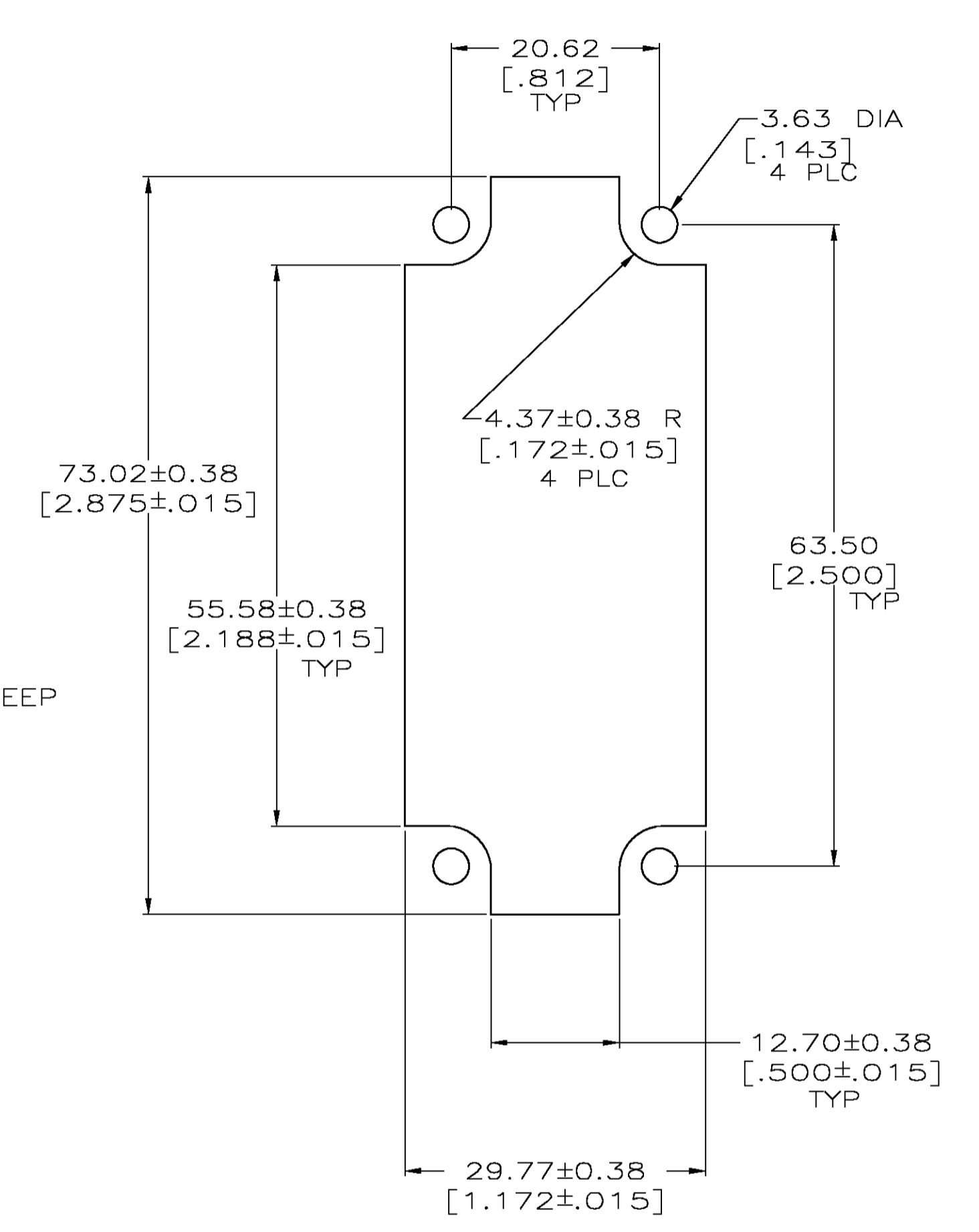
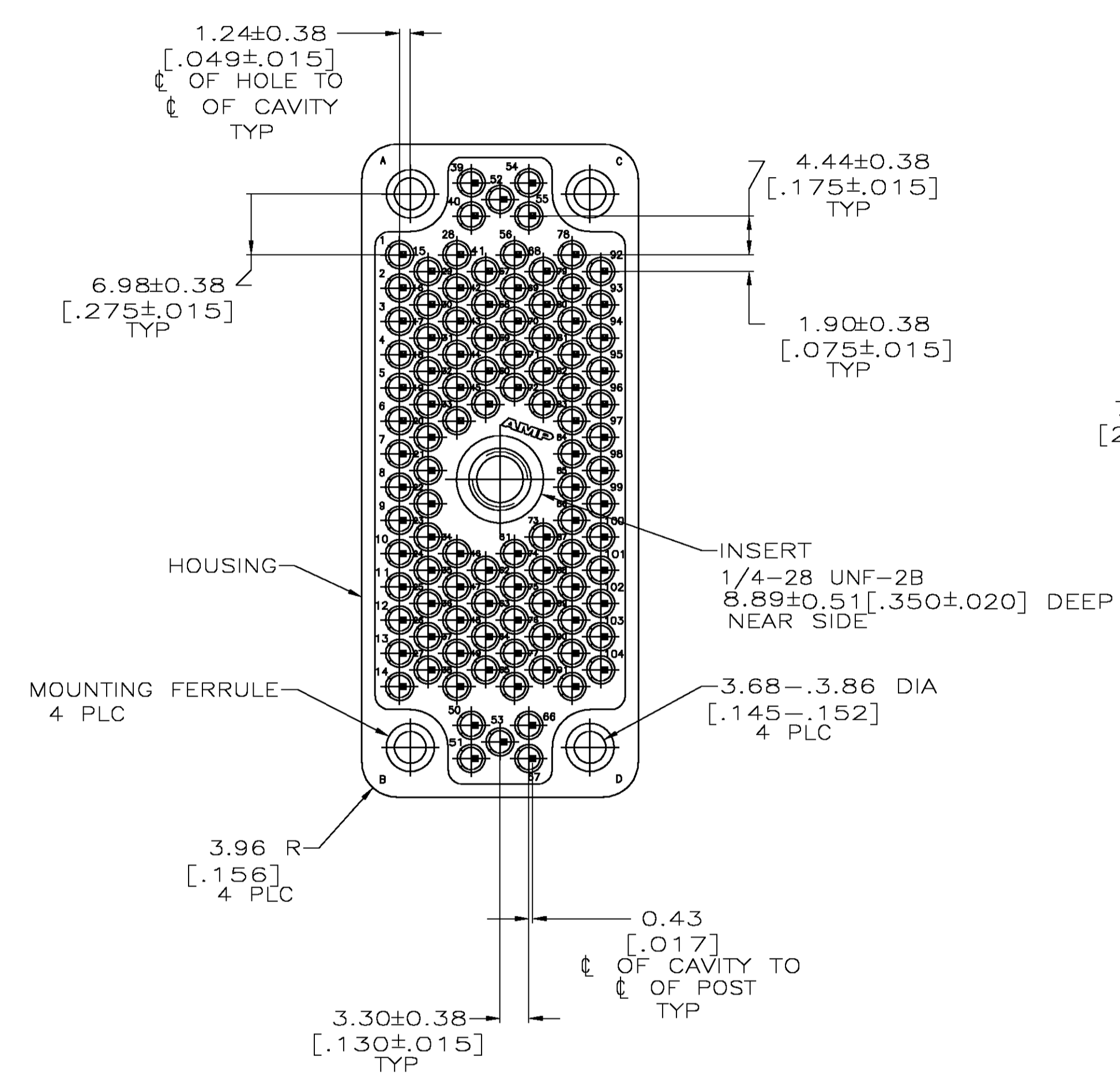
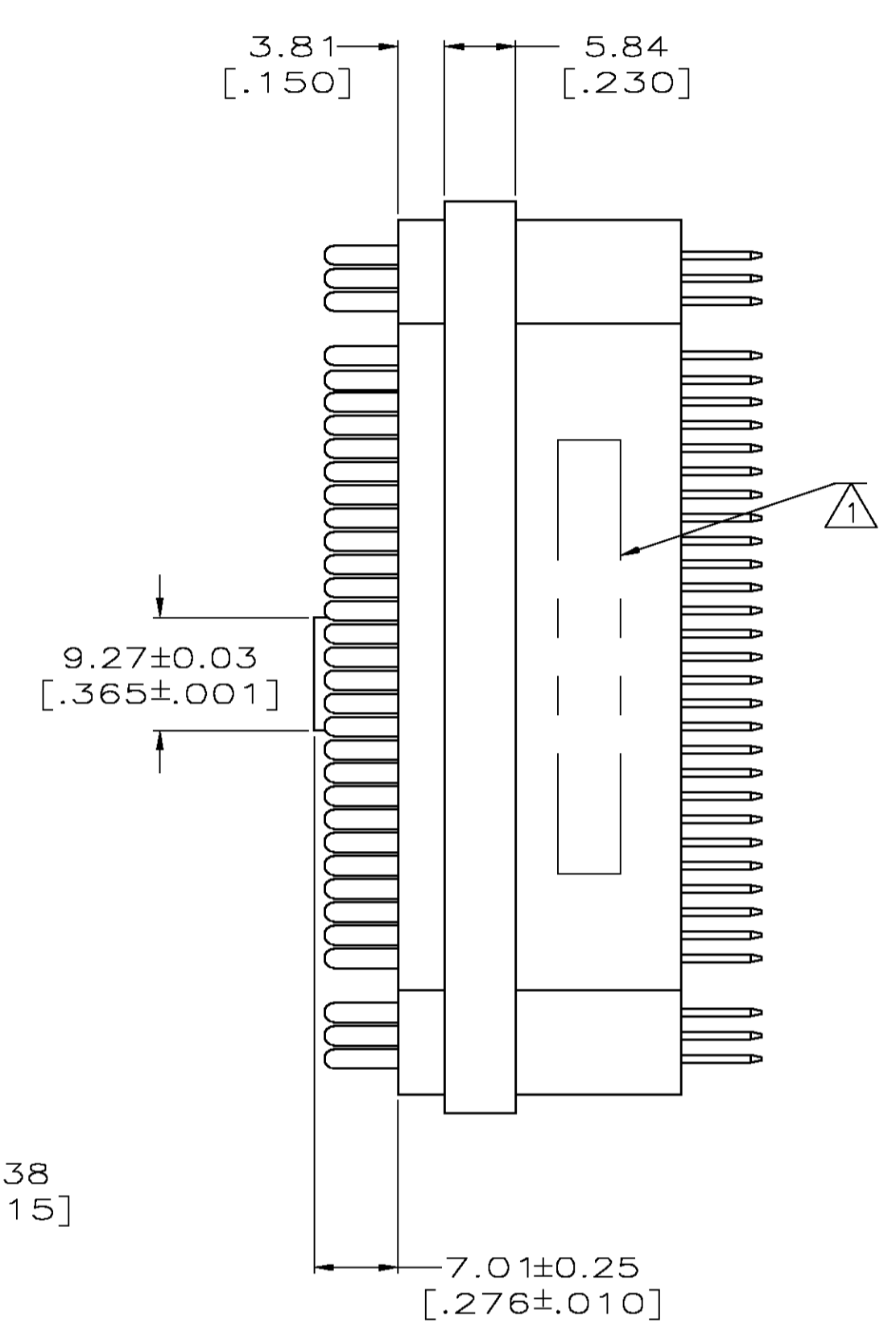
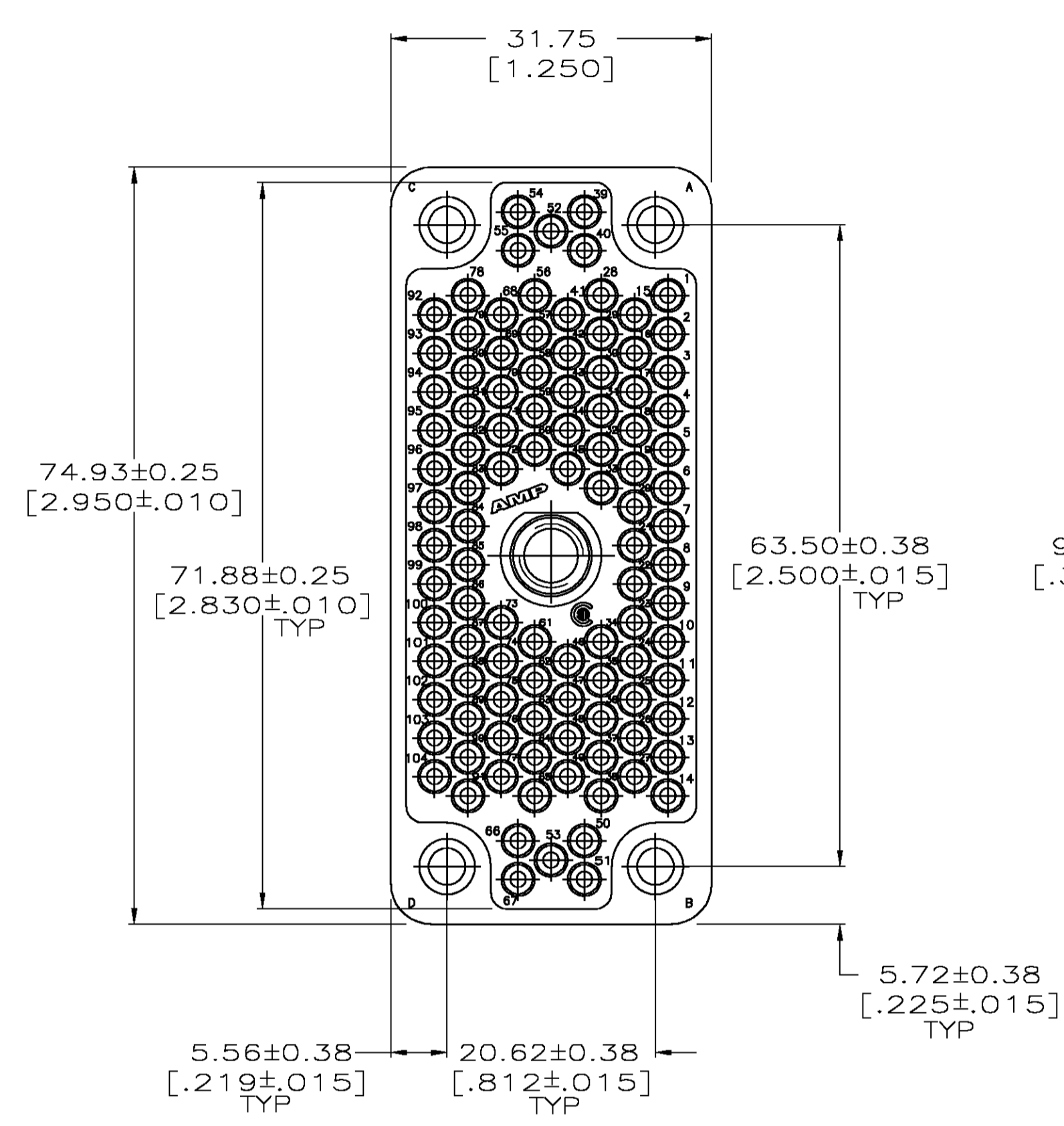
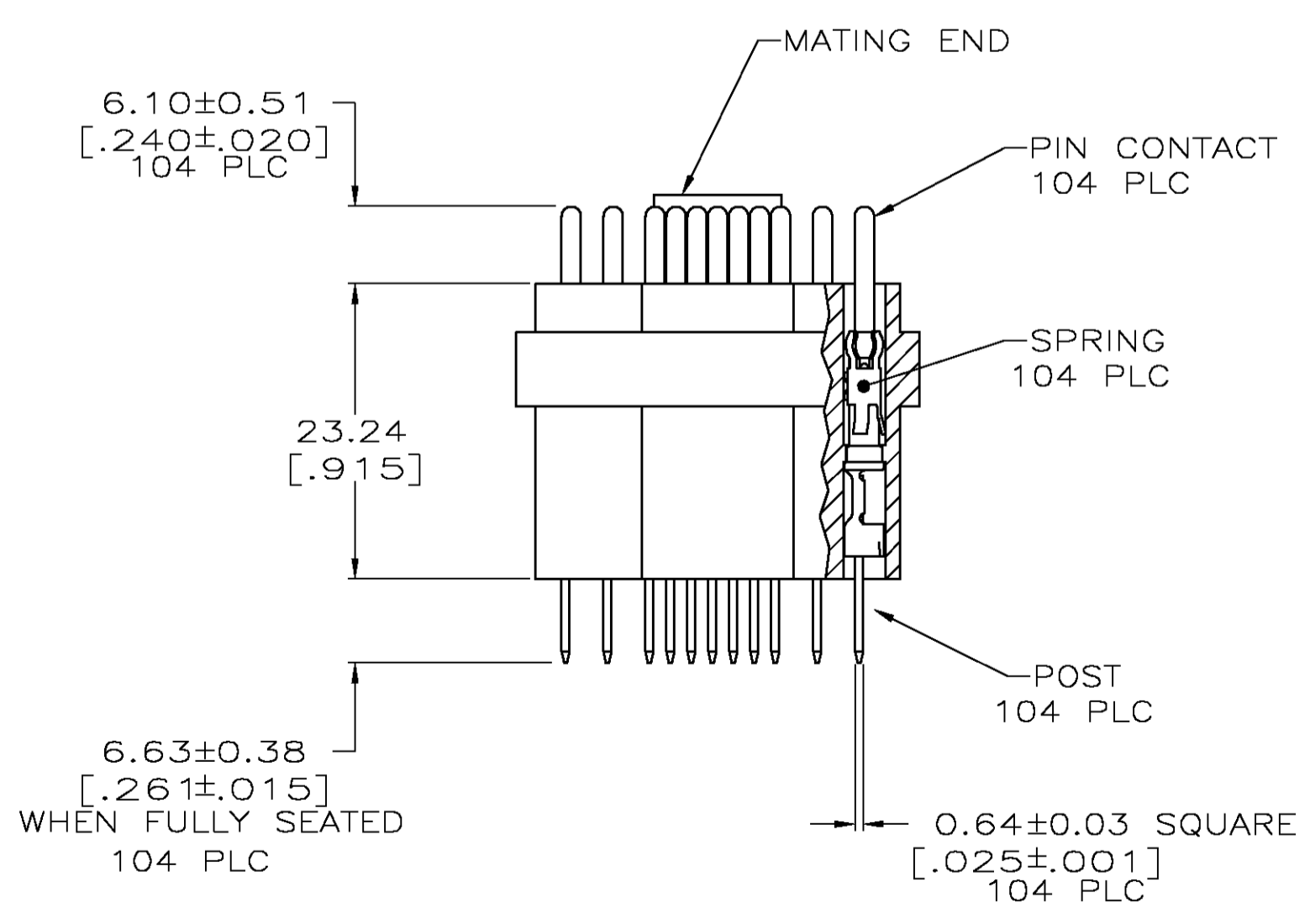


| LOC |     | DIST                     |        | REVISIONS |      |    |    |
|-----|-----|--------------------------|--------|-----------|------|----|----|
| P   | LTR | DESCRIPTION              | DATE   | DWN       | APVD | SS | GS |
| A   |     | REVISED PER 063B-0095-05 | 4/8/05 | SS        | GS   |    |    |



RECOMMENDED PANEL CUTOUT



- ⚠ THIS AREA MARKED WITH AMP, 213763-1, AND DATE CODE ON EITHER SIDE.
- 2. POSTS ARE SEMI-AUTOMATICALLY WIREABLE WITH 24 MAX AWG WIRE.
- ⚠ HOUSING: DIALYL PHTHALATE PER MIL-M-14-F TYPE SDG-F, BLUE; INSERT, MOUNTING FERRULES AND SPRINGS: STAINLESS STEEL; POSTS AND PIN CONTACTS: BRASS.
- ⚠ POSTS: 25.4um[.000100] MIN TIN-LEAD OVER 2.54um[.000100] MIN COPPER. PIN CONTACTS: 0.76um[.000030] MIN GOLD FOR A LENGTH OF 6.35[.250] FROM MATING END, GOLD FLASH ON THE REMAINDER, BOTH OVER 1.27um[.000050] MIN NICKEL.
- ⚠ GOLD PLATE PER MIL-G-45204, NICKEL PLATE PER QQ-N-290, TIN-LEAD AND TIN PLATE PER MIL-T-10727.
- ⚠ POSTS: 25.4um[.000100] MIN TIN OVER 2.54um[.000100] MIN COPPER. PIN CONTACTS: 0.76um[.000030] MIN GOLD FOR A LENGTH OF 6.35[.250] FROM MATING END, GOLD FLASH ON THE REMAINDER, BOTH OVER 1.27um[.000050] MIN NICKEL.

|        |             |
|--------|-------------|
| ⚠      | 213763-2    |
| ⚠      | 213763-1    |
| FINISH | PART NUMBER |

THIS DRAWING IS A CONTROLLED DOCUMENT.

|                            |  |                                      |                           |   |   |
|----------------------------|--|--------------------------------------|---------------------------|---|---|
| DIMENSIONS:<br>mm [INCHES] | TOLERANCES UNLESS OTHERWISE SPECIFIED:<br>0 PLC ± -<br>1 PLC ± -<br>2 PLC ± 0.13[.005]<br>3 PLC ± -<br>4 PLC ± -<br>ANGLES ± -<br>FINISH - | DWN<br>J McCLINTON<br>GJK<br>R STONE | 9-30-92<br>10-1-92        | <b>tyco</b><br>Electronics                                    | Tyco Electronics Corporation<br>Harrisburg, Pa 17105-3608 |
|                            |  | NAME                                 | PRODUCT SPEC<br>108-10001 | PLUG ASSEMBLY, 104 POSN.<br>W/CENTER INSERT, POSTED, M SERIES |   |
| MATERIAL                   |  | SIZE                                 | CAGE CODE                 | DRAWING NO  | RESTRICTED TO   |
| -                          |  | A1                                   | 00779                     | 213763  | -   |
| CUSTOMER DRAWING           |  | SCALE                                | SHEET                     | REV   |   |
|                            |  | 2:1                                  | 1 of 1                    | A   |   |