

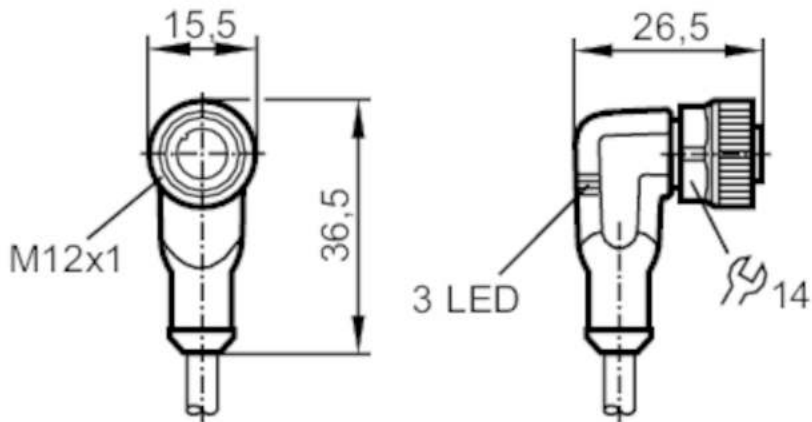
EVC008



Connecting cable with socket

ADOAH043MSS0005H04

Please see the technical note under "Downloads"



Application		
Special feature	Free from silicone; Halogen-free; Gold-plated contacts; Drag chain suitability	
Free from silicone	yes	
Electrical data		
Operating voltage [V]	10...36 DC	
Protection class	II	
Max. current load total [A]	4	
Outputs		
Electrical design	PNP	
Operating conditions		
Ambient temperature [°C]	-25...90	
Note on ambient temperature	cULus: ...75	
Ambient temperature (moving) [°C]	-25...90	
Note on ambient temperature (moving)	cULus: ...75	
Protection	IP 65; IP 67; IP 68; IP 69K	
Tests / approvals		
MTTF [years]	20027	

EVC008



Connecting cable with socket

ADOAH043MSS0005H04

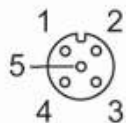
Mechanical data		
Weight [g]	144.7	
Dimensions [mm]	26.5 x 15.5 x 36.5	
Materials	housing: TPU black transparent; Sealing: FKM	
Material nut	brass, nickel-plated	
Drag chain suitability	yes	
Drag chain suitability	bending radius for flexible use	min. 10 x cable diameter
	travel speed	max. 3.3 m/s for a horizontal travel length of 5 m and max. acceleration of 5 m/s ²
	bending cycles	> 5 Mio.
	torsional strain	± 180 °/m

Displays / operating elements		
Display	switching status	2 x LED, yellow
	operation	1 x LED, green

Remarks	
Notes	Please see the technical note under "Downloads"
Pack quantity	1 pcs.

Electrical connection
Cable: 5 m, PUR, Halogen-free, black, Ø 4.3 mm; 4 x 0.34 mm² (42 x Ø 0.1 mm)

Electrical connection - socket
Connector: 1 x M12, angled; coding: A; Locking: brass, nickel-plated; Contacts: gold-plated; Tightening torque: 0.6...1.5 Nm



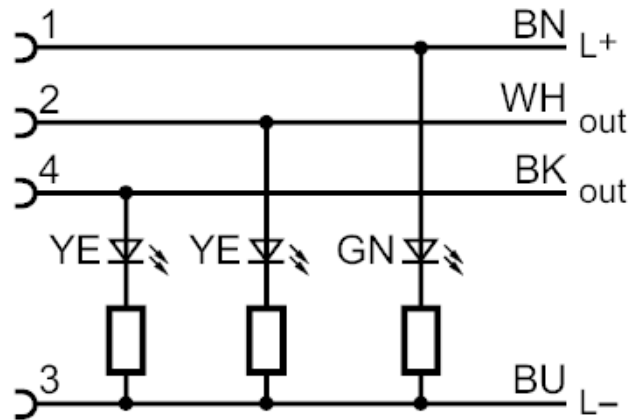
EVC008



Connecting cable with socket

ADOAH043MSS0005H04

Connection



Core colours :

BK = black
BN = brown
BU = blue
WH = white