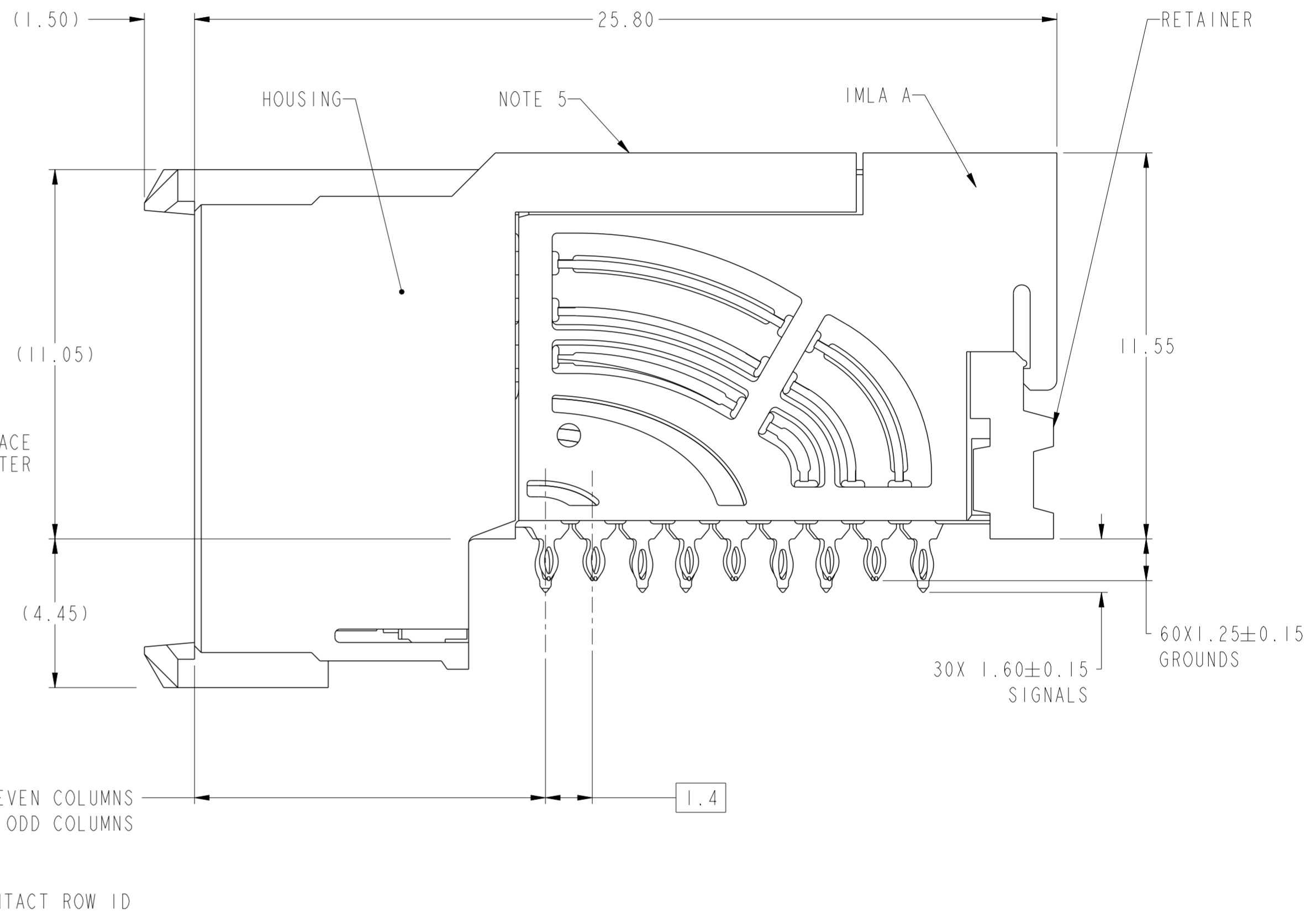
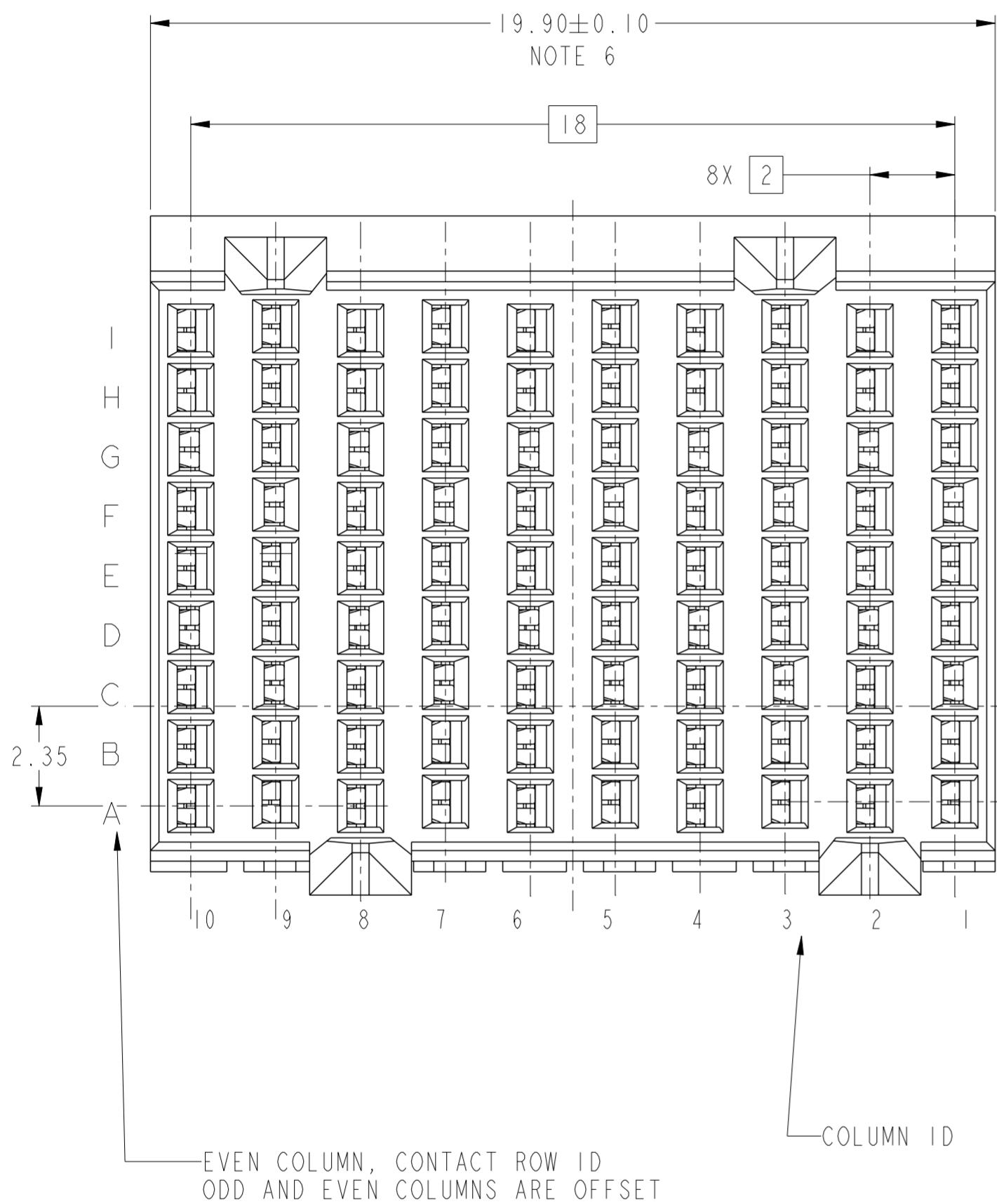


PRODUCT NUMBER
SEE SHEET 3



Amphenol
FCi

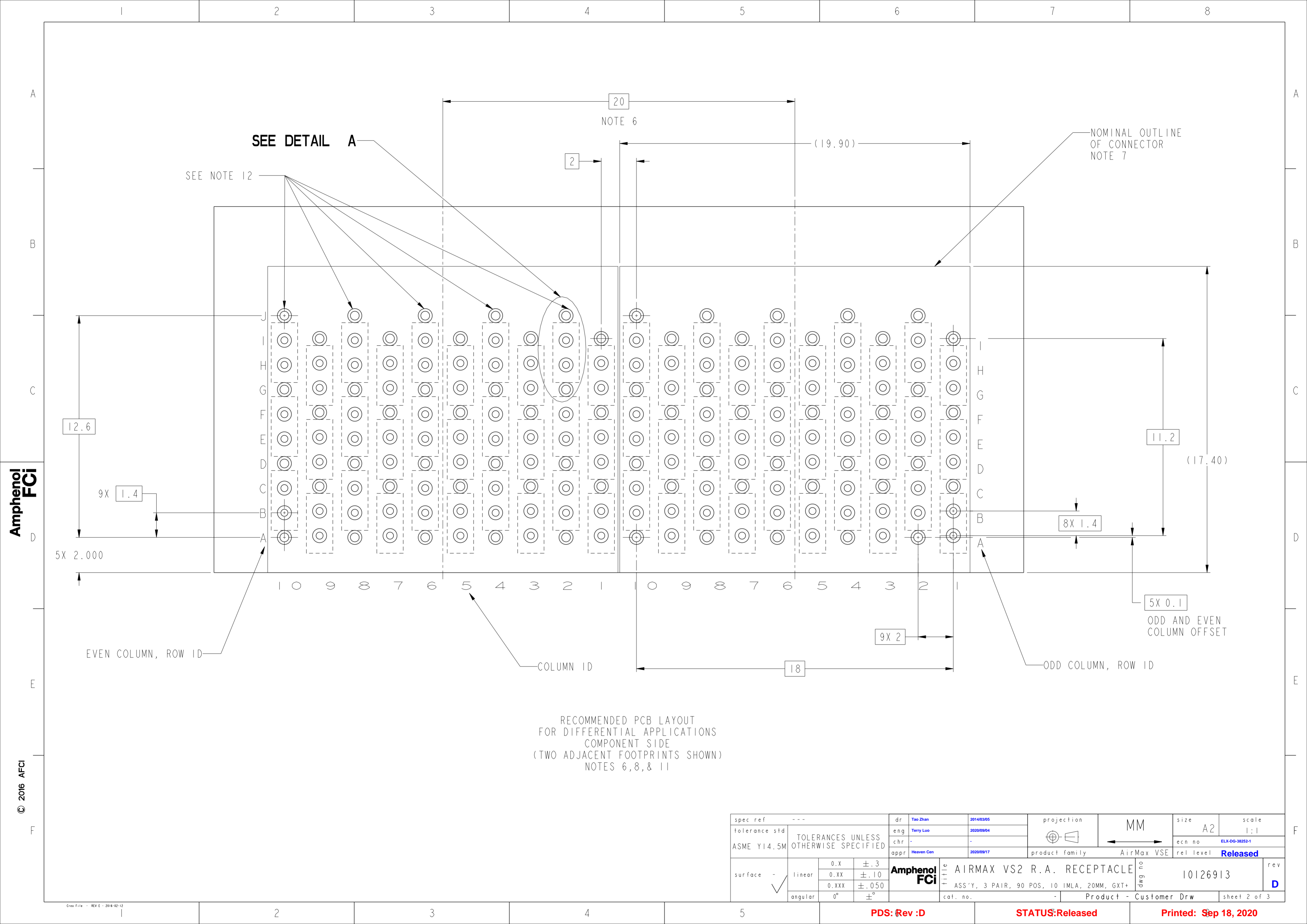
© 2016 AFCI

spec ref	---	dr	Tao Zhan	2014/03/05	projection	MM	size	A2	scale	1:1
tolerance std	ASME Y14.5M	eng	Terry Luo	2020/09/04			ecn no	ELX-DG-38252-1	rel level Released	rev D
TOLERANCES UNLESS OTHERWISE SPECIFIED		chr	-	product family			AirMax VSE			
surface	linear 0.X ±.3 0.XX ±.10 0.XXX ±.050 angular 0° ±°	appr	Heaven Cen	2020/09/17			title AIRMAX VS2 R.A. RECEPTACLE ASS'Y, 3 PAIR, 90 POS, 10 IMLA, 20MM, GXT+	dwg no 10126913		

PDS: Rev :D

STATUS:Released

Printed: Sep 18, 2020



RECOMMENDED PCB LAYOUT
 FOR DIFFERENTIAL APPLICATIONS
 COMPONENT SIDE
 (TWO ADJACENT FOOTPRINTS SHOWN)
 NOTES 6, 8, & 11

spec ref	---	dr	Tao Zhan	2014/03/05	projection	MM	size	A2	scale	1:1
tolerance std	ASME Y14.5M	eng	Terry Luo	2020/09/04			ecn no	ELX-DG-38252-1		
TOLERANCES UNLESS OTHERWISE SPECIFIED		chr	-	appr			Heaven Cen	2020/09/17	product family	AirMax VSE
surface	-				title	AIRMAX VS2 R.A. RECEPTACLE		rel level	Released	
linear	0.X ±.3 0.XX ±.10 0.XXX ±.050				part no	10126913		rev	D	
angular	0° ±°				cat. no.	-		Product - Customer Drw		sheet 2 of 3

PDS: Rev :D

STATUS:Released

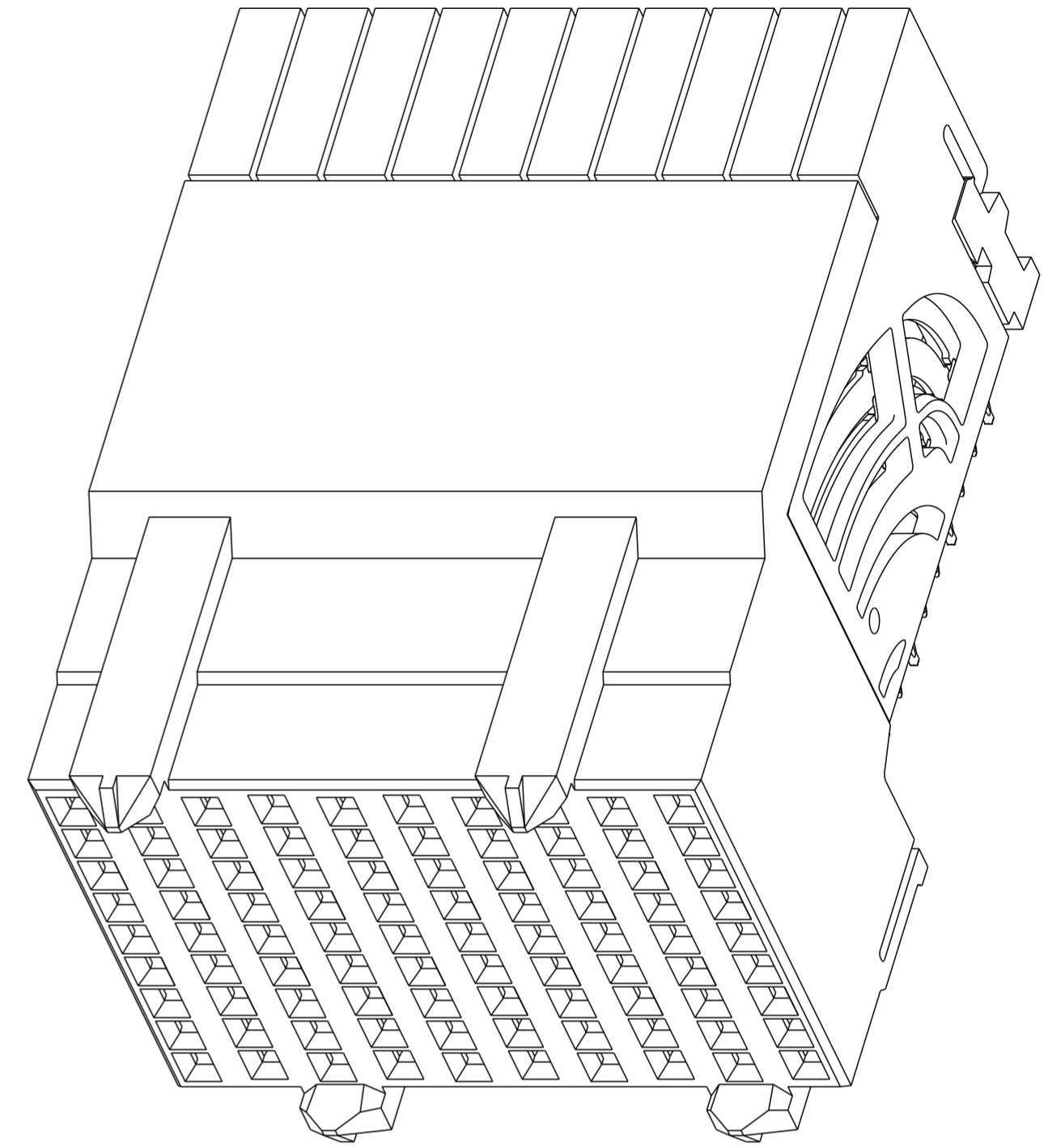
Printed: Sep 18, 2020

Amphenol
FCI

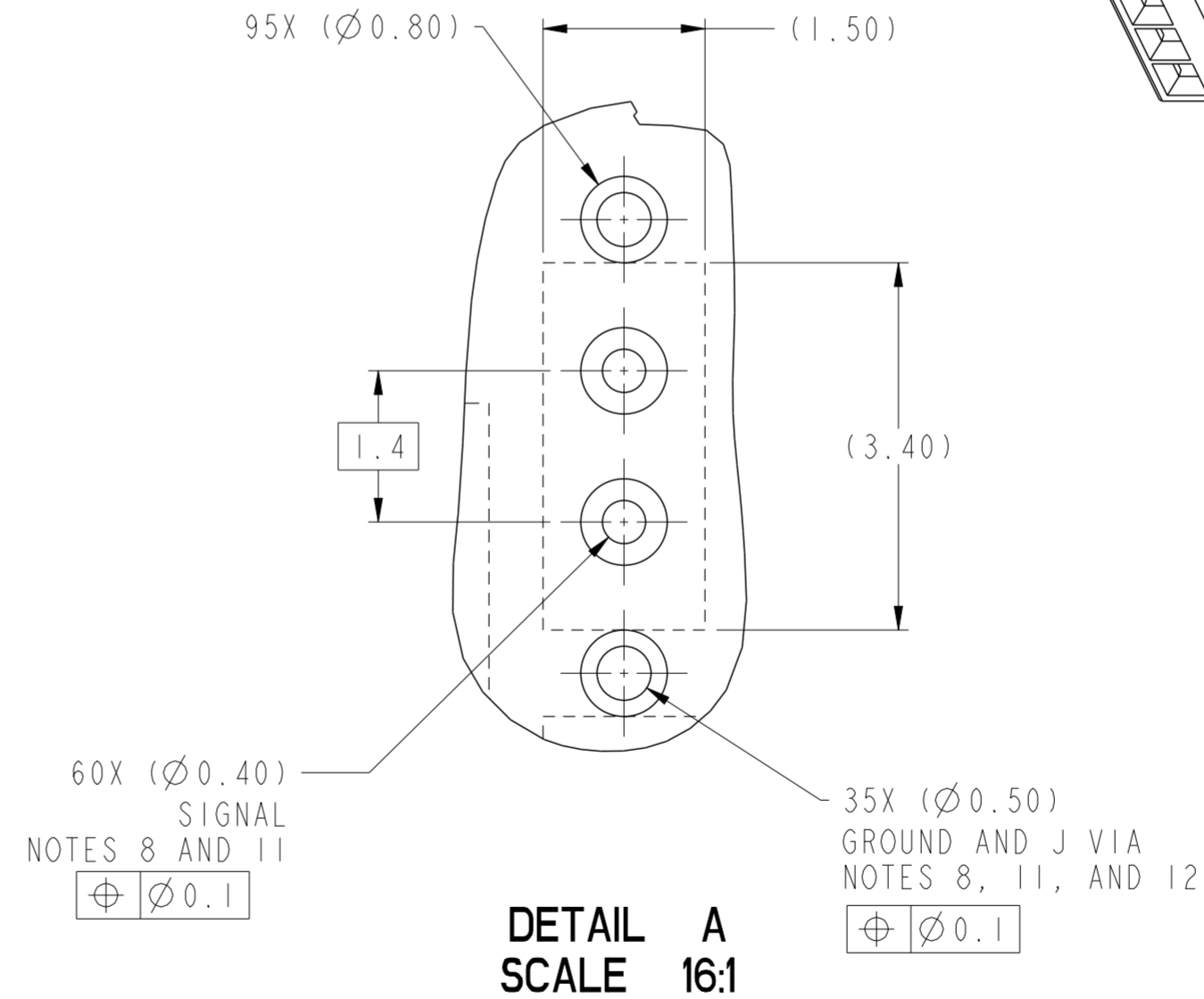
© 2016 APCI

PRODUCT NUMBER	PRESS-FIT TAIL PLATING TYPE
10126913-101	TIN/LEAD ALLOY OVER NICKEL
10126913-101LF	TIN OVER NICKEL (LEAD FREE)

- 1 - CONNECTOR MATERIALS:
HOUSING: HIGH TEMP THERMOPLASTIC, NATURAL, UL94-V0
IMLA PLASTIC: HIGH TEMP THERMOPLASTIC, BLACK, UL94-V0
CONTACT: COPPER ALLOY
ORGANIZER: HIGH TEMP THERMOPLASTIC, NATURAL, UL94-V0
- 2 - CONTACT PLATING:
SEPARABLE INTERFACE:
PERFORMANCE-BASED PLATING, QUALIFIED TO MEET THE REQUIREMENTS OF FCI PRODUCT SPECIFICATION GS-12-0956 INCLUDING TELCORDIA GR-1217-CORE (NOVEMBER 1995) CENTRAL OFFICE TEST SEQUENCE
- PRESS-FIT TAILS: SEE TABLE
- 3 - PRODUCT SPECIFICATION: GS-12-0956
- 4 - APPLICATION SPECIFICATION: GS-20-0305.
- 5 - PRODUCT MARKING, (PART NUMBER & LOT CODE), ON THIS SURFACE.
- 6 - THE MINIMUM CENTERLINE SPACING BETWEEN ADJACENT MODULES IS 20.0 MM.
- 7 - CONNECTOR OUTLINE MAY BE SCREEN PRINTED ONTO CUSTOMER PCB TO BE USED AS A GUIDE FOR MANUAL CONNECTOR PLACEMENT.
- 8 - REFER TO CUSTOMER DRAWING 10104444 FOR INFORMATION ON PCB HOLE DIAMETERS AND PLATING OPTIONS
- 9 - LEAD FREE PRODUCT MEETS THE EUROPEAN UNION DIRECTIVES & OTHER COUNTRY REGULATIONS AS DESCRIBED IN GS-22-008
- 10 - PACKAGING MEETS GS-14-920 LEAD FREE LABELING SPECIFICATION.
- 11 - GROUND CONTACTS (C,F, AND I IN ODD COLUMNS AND A, D, AND G, EVEN COLUMNS) REQUIRE (Ø0.500) FINISHED HOLES. SIGNAL LOCATIONS REQUIRE (Ø0.400) FINISHED HOLES.
- 12 - THESE OUTER VIAS (J) ARE OPTIONAL. WHILE NO CONNECTOR EONS ARE PRESSED INTO THESE HOLES WE RECCOMEND (Ø0.500) FINISHED HOLES AT THESE LOCATIONS TO PROVIDE GROUND SYMMETRY THROUGH THE PCB.



10126913-101 OR -101LF



Amphenol FCI

© 2016 AFCI

spec ref	---	dr	Tao Zhan	2014/03/05	projection	MM	size	A2	scale	4:1												
tolerance std	ASME Y14.5M	eng	Terry Luo	2020/09/04			ecn no	ELX-DG-38252-1														
TOLERANCES UNLESS OTHERWISE SPECIFIED		chr	-				rel level	Released														
surface	<table border="1"> <tr> <td>linear</td> <td>0.X</td> <td>±.3</td> </tr> <tr> <td></td> <td>0.XX</td> <td>±.10</td> </tr> <tr> <td></td> <td>0.XXX</td> <td>±.050</td> </tr> <tr> <td>angular</td> <td>0°</td> <td>±°</td> </tr> </table>	linear	0.X	±.3		0.XX	±.10		0.XXX	±.050	angular	0°	±°	appr	Heaven Cen		2020/09/17	product family				
linear		0.X	±.3																			
		0.XX	±.10																			
	0.XXX	±.050																				
angular	0°	±°																				
				Amphenol FCI		title	AIRMAX VS2 R.A. RECEPTACLE			rev	D											
						cat. no.	Product - Customer Drw			sheet 3 of 3												

PDS: Rev :D

STATUS:Released

Printed: Sep 18, 2020