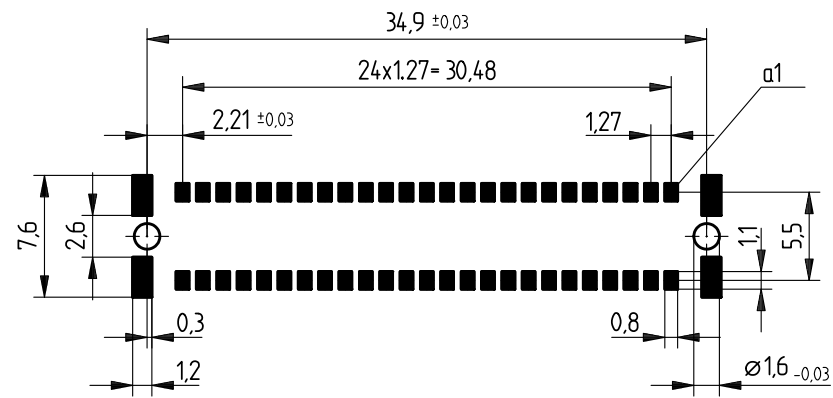
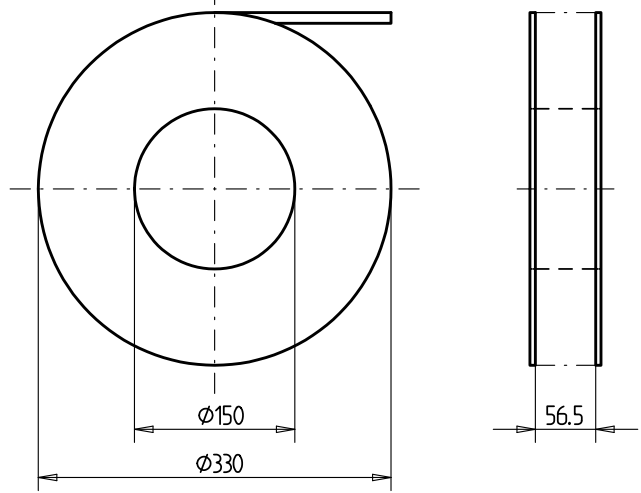


Anforderungsstufe 1
 Performance Level 1
 Kontaktbereich vergoldet
 Mating Area gold plating
 Anschlussbereich verzinkt 4-6 μm
 Terminal Area 4-6 μm tin plating
 Koplanarität der Anschlüsse $\leq 0.1\text{mm}$
 Coplanarity Area of Termination $\leq 0.1\text{mm}$

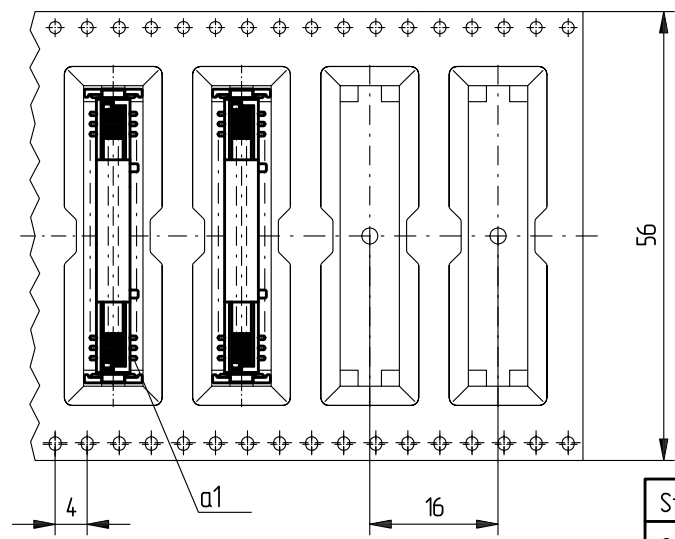
Leiterplatten-Layout Vorschlag für SMT
PCB-Layout Proposal for SMT



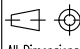
Verpackt in Gurtverpackung - Tape on Reel Packaging
 Verpackungseinheit: 280 Stück - Packaging unit: 280 pcs



Abspulrichtung - Reel off Direction



Standard Bauhöhe, BA 6
 Standard Assembly Height, BA 6

Information: All rights reserved. Only for information. To insure that this is the latest version of this drawing, please contact one of the ERNI companies before using.	Tolerances  All Dimensions in mm	Scale 3:1
	Designation Federleiste SMC-B, 50 polig Fem. Conn. SMC-B, 50 contacts	
b Index	13.02.2008 Date	www.ERNI.com 124045 SMCB
Consider protection memo from DIN 34		0:00064899.SZA