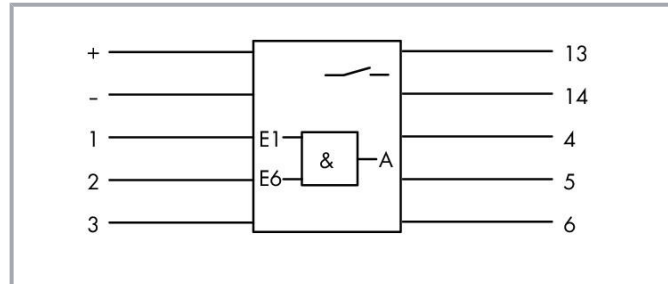


Data sheet | Item number: 286-826  
AND gate module with 6 inputs; light gray

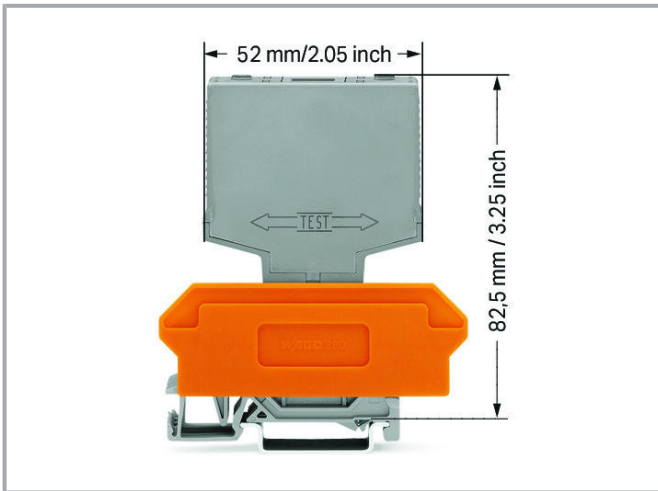
[www.wago.com/286-826](http://www.wago.com/286-826)



Subject to changes. Please also observe the further product documentation!

WAGO Kontakttechnik GmbH & Co. KG  
Hansastr. 27  
32423 Minden  
Phone: +49571 887-0 | Fax: +49571 887-169  
Email: [info.de@wago.com](mailto:info.de@wago.com) | Web: [www.wago.com](http://www.wago.com)

Do you have any questions about our products?  
We are always happy to take your call at +49 (571) 887-44222.



## Data

### Electrical data

Nominal operating voltage	DC 24 V
Operating voltage	DC 24 ... 27.5 V
Power consumption at nominal supply voltage	≤ 34.6 mA
Number of make/switch-on contacts	1
Limiting continuous current	3 A
Switching voltage (max.)	AC 250 V; DC 120 V
Switching power (resistive) (max.)	AC 750 VA; DC 120 W

### Safety and protection

Rated voltage	250 V
Rated surge voltage	4 kV
Pollution degree	2
Dielectric strength, input/output (AC, 1 min)	2.5 kV <sub>rms</sub>

### Physical data

Width	25 mm / 0.984 inch
Height from upper-edge of DIN-rail	82.5 mm / 3.25 inch
Depth	52 mm / 2.047 inch

### Mechanical data

Mounting type	Pluggable module for receptacle terminal blocks
---------------	---

Subject to changes. Please also observe the further product documentation!

Housing design

Plug for carrier terminal blocks

## Material data

Color	light gray
Fire load	0.445 MJ
Weight	34 g

## Environmental requirements

Surrounding air temperature (operation)	-25 ... 40 °C
Relative humidity	5 ... 95 % (no condensation permissible)
Operating altitude (max.)	2000 m

## Commercial data

Product Group	6 (Interface Electronics)
PU (SPU)	10 (1) Stück
Packaging type	box
Country of origin	DE
GTIN	4045454344269
Customs tariff number	85369010000

## Optional accessories

### Terminal blocks

Terminal block for pluggable modules

**Item no.: 280-629**Terminal block for pluggable modules; 10-pole; with 4-conductor terminal blocks; with orange separator; for DIN-rail 35 x 15 and 35 x 7.5; 2.5 mm<sup>2</sup>; CAGE CLAMP®; 2,50 mm<sup>2</sup>; gray[www.wago.com/280-629](http://www.wago.com/280-629)**Item no.: 280-639**Terminal block for pluggable modules; 10-pole; with 2-conductor terminal blocks; with orange separator; for DIN-rail 35 x 15 and 35 x 7.5; 2.5 mm<sup>2</sup>; CAGE CLAMP®; 2,50 mm<sup>2</sup>; gray[www.wago.com/280-639](http://www.wago.com/280-639)**Item no.: 280-765**Terminal block for pluggable modules; 10-pole; with 4-conductor terminal blocks; with marker carrier; with orange separator; for DIN-rail 35 x 15 and 35 x 7.5; 2.5 mm<sup>2</sup>; CAGE CLAMP®; 2,50 mm<sup>2</sup>; gray[www.wago.com/280-765](http://www.wago.com/280-765)

### Marking accessories

Marker

**Item no.: 209-701**

WSB marking card; as card; not stretchable; plain; snap-on type; white

[www.wago.com/209-701](http://www.wago.com/209-701)

Subject to changes. Please also observe the further product documentation!

WAGO Kontakttechnik GmbH &amp; Co. KG

Hansastr. 27

32423 Minden

Phone: +49571 887-0 | Fax: +49571 887-169

Email: [info.de@wago.com](mailto:info.de@wago.com) | Web: [www.wago.com](http://www.wago.com)

Do you have any questions about our products?

We are always happy to take your call at +49 (571) 887-44222.



## Downloads Documentation

### Bid Text

286-826 doc - Datei	Apr 2, 2015	doc 24.1 kB	Download
------------------------	-------------	----------------	----------

286-826 X81 - Datei	Feb 19, 2019	xml 3.5 kB	Download
------------------------	--------------	---------------	----------

### Instruction Leaflet

		pdf 1.3 MB	Download
--	--	---------------	----------

### Additional Information

Disposal; Electrical and electronic equipment, Packaging	V 1.0.0	pdf 265.8 kB	Download
--	---------	-----------------	----------

## CAD/CAE-Data

### CAD data

2D/3D Models 286-826		URL	Download
----------------------	--	-----	----------

### CAE data

WSCAD Universe 286-826		URL	Download
------------------------	--	-----	----------

ZUKEN Portal 286-826		URL	Download
----------------------	--	-----	----------

## Environmental Product Compliance

### Compliance Search

Environmental Product Compliance 286-826 AND gate module with 6 inputs; light gray		URL	Download
---	--	-----	----------

## Installation Notes

Subject to changes. Please also observe the further product documentation!