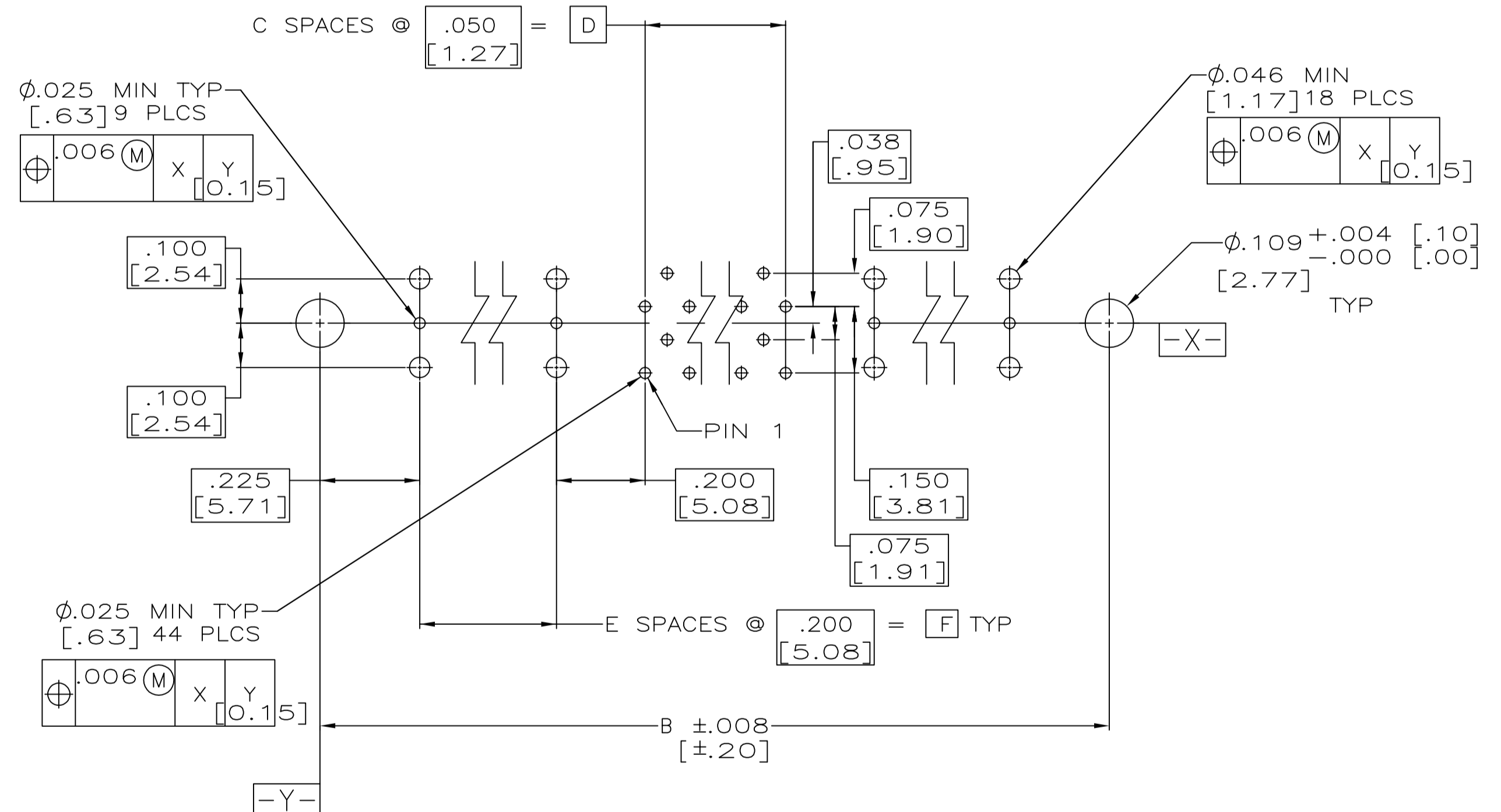
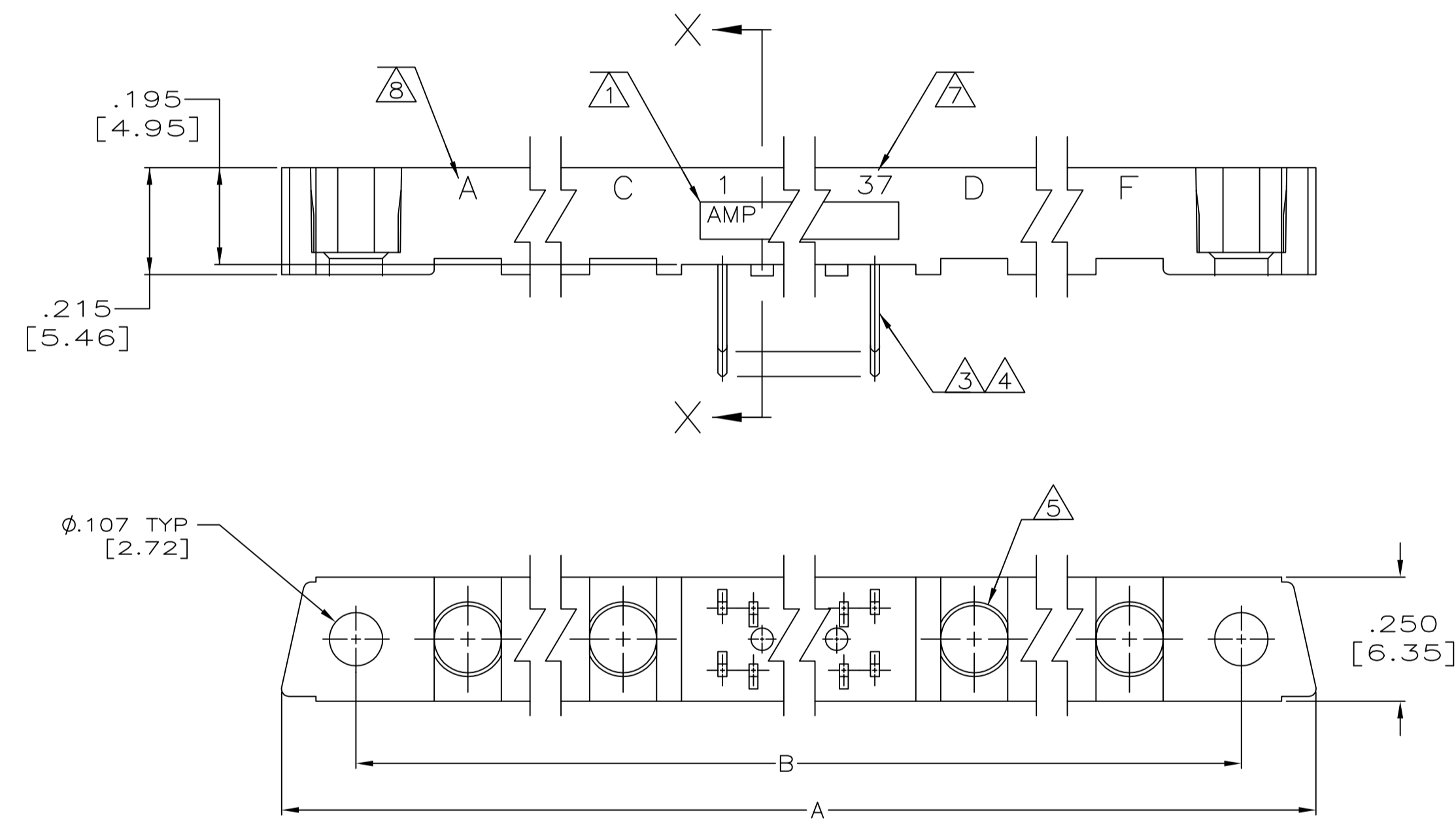
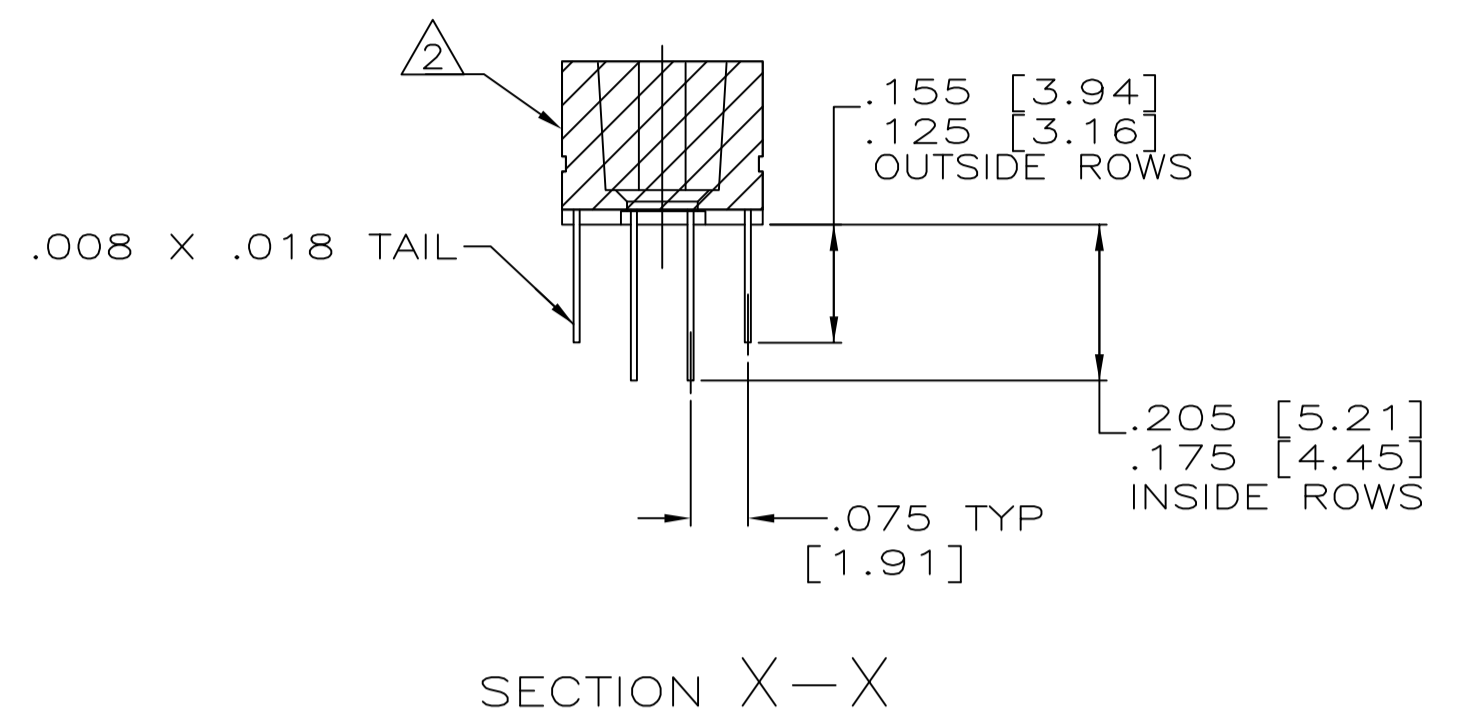
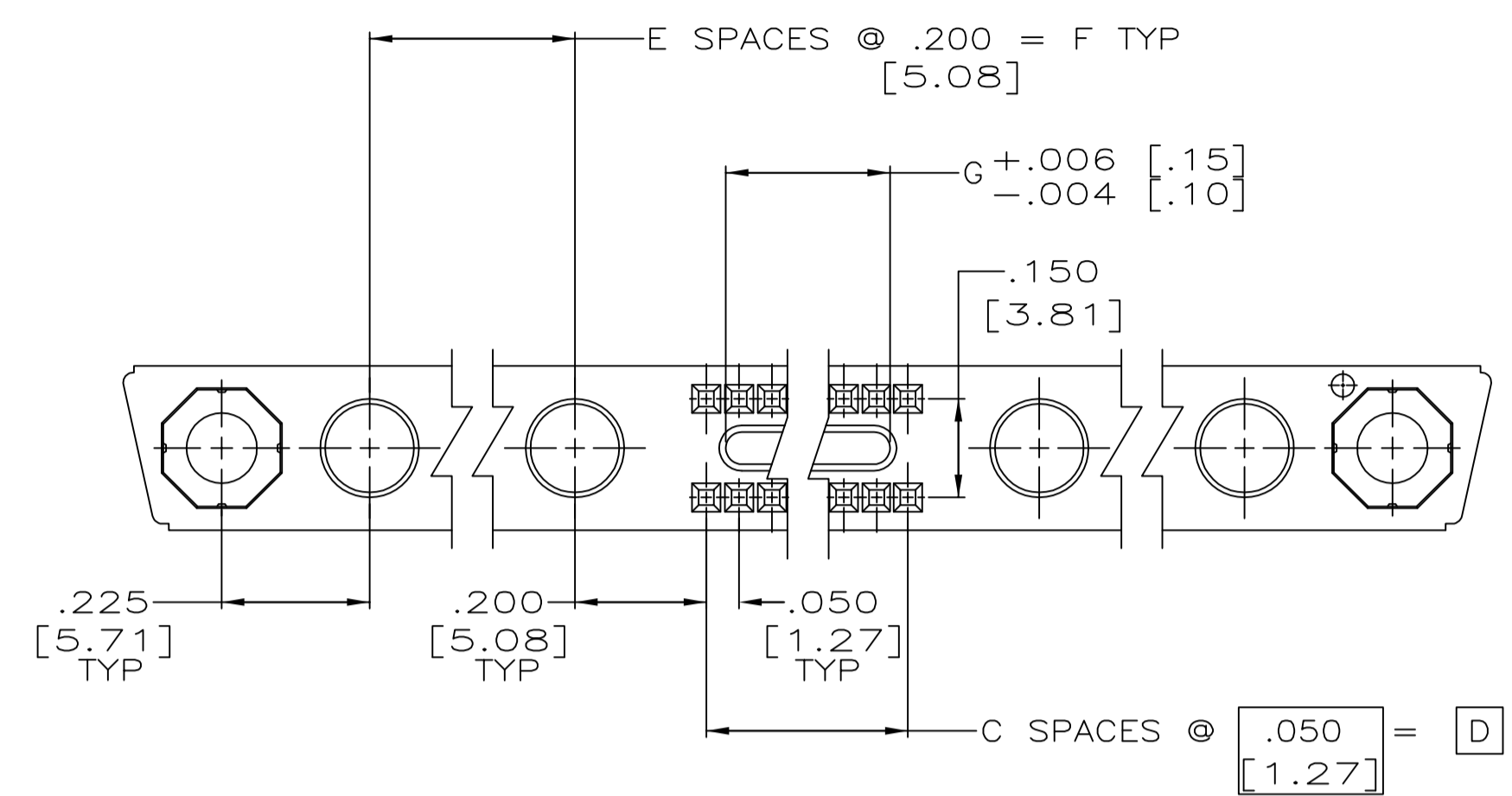


| REVISIONS | | | | |
|-----------|-----|---------------------------|-----------|--------|
| P | LTR | DESCRIPTION | DATE | OWN |
| J | | REVISED PER ECO-16-017894 | 27APR2017 | PHM CT |



P.C. BOARD LAYOUT (CONNECTOR SIDE)

- ① AMP, AMP PART NO. AND DATE CODE MARKED IN THIS APPROXIMATE AREA.
- ② HOUSING MATERIAL: LIQUID CRYSTAL POLYMER PER MIL-M-24519, GLCP-30F; COLOR: GRAY.
- ③ CONTACT: MATERIAL = PHOS BRONZE
- ④ PLATED .000030 GOLD IN THE CONTACT AREA, .000100 MIN TIN LEAD ON THE TAILS, ALL OVER .000050 NICKEL UNDER PLATE.
- ⑤ WILL ACCEPT MICRO-MINATURE COAX CONTACTS PER AMP DATA SHEET 80-600, PC BOARD MOUNTED CONTACTS MUST BE MATED BEFORE SOLDERING, INSERT CONTACTS FROM THIS SIDE UP.
- 6. GROUP "A" INSPECTION PER MIL-C-55302 PERFORMED.
- ① NUMBERS INDICATING END POSITIONS MARKED THIS SIDE ONLY.
- ② COAX POSITIONS (A,B,C,D,E,F) MARKED THIS SIDE ONLY.

| | | | | | | | | | |
|---------------|--------------|---|---------------|----|---------------|---------------|---------------------|--------------------|-------------|
| .700 [17.78] | .400 [10.16] | 2 | .850 [21.59] | 17 | 2.500 [63.50] | 2.790 [70.87] | 6 | 36 | 531820-3 |
| .450 [11.43] | .400 [10.16] | 2 | .600 [15.24] | 12 | 2.250 [57.15] | 2.540 [64.52] | 6 | 26 | 531820-2 |
| 1.650 [41.91] | .400 [10.16] | 2 | 1.800 [45.72] | 36 | 3.450 [87.63] | 3.740 [95.00] | 6 | 74 | 531820-1 |
| G | F | E | D | C | B | A | NUMBER OF COAX POS. | NUMBER OF BOX POS. | PART NUMBER |

THIS DRAWING IS A CONTROLLED DOCUMENT.

OWN: T. ALEXANDER 12-4-91
 DW: D. GUTTER 2-6-92
 APVD: D. GUTTER 2-6-92
 NAME: RECEPTACLE ASSEMBLY, MINI-BOX W/ 6 COAX PORTS AND LOW FORCE CONTACTS

DIMENSIONS: INCHES

| | |
|-------|---------------|
| 0 PLC | ± - |
| 1 PLC | ± - |
| 2 PLC | ± - |
| 3 PLC | ± .010 [0.25] |
| 4 PLC | ± - |

ANGLES: ± -

MATERIAL: ②-③ FINISH: ④

SIZE: A1 CAGE CODE: 00779 DRAWING NO: C=531820 RESTRICTED TO: -

SCALE: 1:1 SHEET: 1 OF 1 REV: J

CUSTOMER DRAWING