

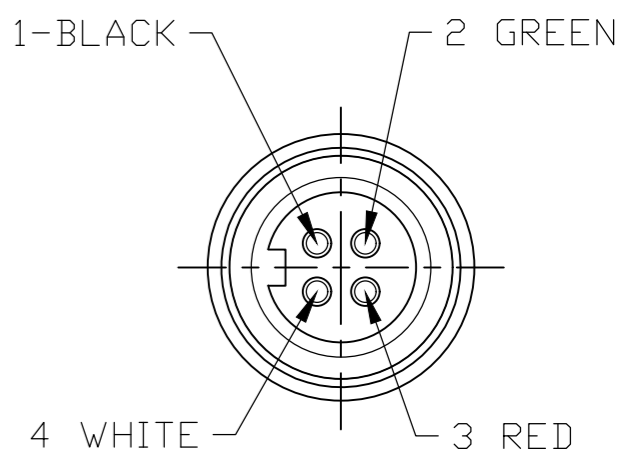
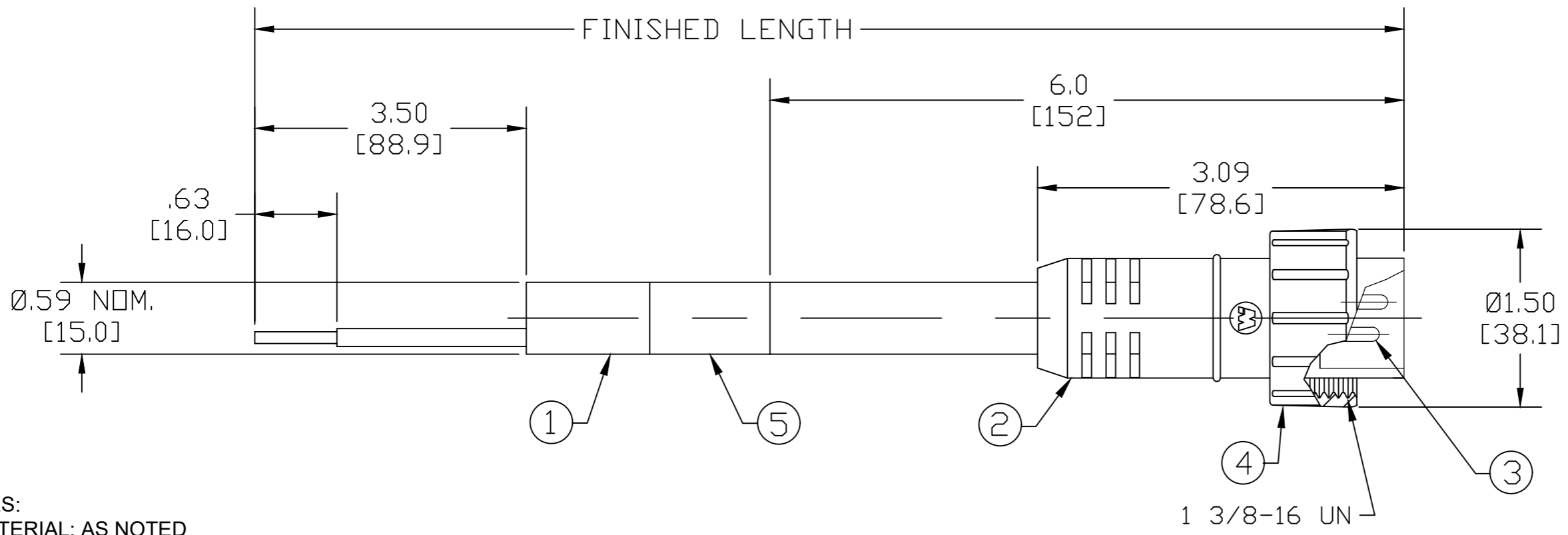
MATERIAL NO.	ENGINEERING NO.	FINISHED LENGTH
1300000069	32634	3.0 FT. [0.9M]
1300000070	32635	6.0 FT. [1.8M]
1300000082	32674	18.0 FT. [5.5M]
1300000237	604002C05F200	20.0 FT. [6.1M]
1300000239	604002C05F300	30.0 FT. [9.1M]

### PART NUMBER LEGEND

604002C05F200

FINISHED LENGTH:  
 F010= 1 FOOT  
 F100= 10 FEET  
 M005= 0.5 METER  
 M010= 1 METER  
 M100= 10 METER

CABLE LENGTH TOLERANCES	
>.3M [1FT]:	+19mm-0 [+ .75in-0]
.3 - .9M [1 - 3FT]:	+44.5mm-0 [+1.75in-0]
.9 - 1.8M [3 - 6FT]:	+55.6mm-0 [+2.19in-0]
1.8 - 3.7M [6 - 12FT]:	+88.9mm-0 [+3.50in-0]
3.7 - 7.3M [12 - 24FT]:	+165.1mm-0 [+6.50in-0]
7.3-14.6M [24 - 48FT]:	+317.5mm-0 [+12.50in-0]
14.6 - 30.5M [48-100FT]:	+622.3mm-0 [+24.50in-0]
OVER 30M [100FT]	+2% OF FINISHED LENGTH



MALE FACE VIEW

- NOTES:  
 1. MATERIAL: AS NOTED  
 2. FINISH: AS NOTED  
 3. ELECTRICAL:  
 VOLTAGE: 600V AC/DC  
 CURRENT: 15A  
 4. TEMP RATING: -25°C TO +90°C  
 5. PROTECTION: IP67 (WHEN MATED)  
 6. COUPLING THREAD: AS NOTED  
 7. ALL DIMS ARE FOR REFERENCE UNLESS TOLERENCED OR NOTED OTHERWISE

ITEM	COMPONENT	MATERIAL	FINISH
5	WRAP LABEL	VINYL	BLACK/YELLOW
4	COUPLING NUT	THERMOPLASTIC	BLACK
3	CONTACT PIN	COPPER ALLOY	UN-PLATED
2	OVERMOLD	RUBBER	YELLOW
1	CABLE-14 AWG S00W	CPE JACKET	YELLOW

SYMBOLS	THIS DRAWING CONTAINS INFORMATION THAT IS PROPRIETARY TO MOLEX ELECTRONIC TECHNOLOGIES, LLC AND SHOULD NOT BE USED WITHOUT WRITTEN PERMISSION		CURRENT REV DESC: RELEASED					
	DIMENSION UNITS	SCALE						
▽ = 0	MM	1:1	EC NO: 624731 DRWN: RSTONE 2019/09/24 CHK'D: CCHRSTKA 2019/10/01 APPR: BWOODMAN 2019/10/09		QUICK CHANGE ASSEMBLY 4P MALE STRAIGHT #14-4 YELLOW SOW CORD			
▽ = 0	GENERAL TOLERANCES (UNLESS SPECIFIED)							
▽ = 0								
▽ = 0								
▽ = 0	4 PLACES	±----	±----	INITIAL REVISION: DRWN: RSTONE 2019/09/24 APPR: BWOODMAN 2019/10/09		PRODUCT CUSTOMER DRAWING DOCUMENT NUMBER: 1300000070 DOC TYPE: PSD DOC PART: 000 REVISION: A		
▽ = 0	3 PLACES	±----	±----					
▽ = 0	2 PLACES	±----	±----					
▽ = 0	1 PLACE	±----	±----					
▽ = 0	0 PLACES	±----	±----	THIRD ANGLE PROJECTION DRAFT WHERE APPLICABLE MUST REMAIN WITHIN DIMENSIONS		MATERIAL NUMBER: SEE MAT. NO. CHART CUSTOMER: GENERAL MARKET SHEET NUMBER: 1 OF 1		
▽ = 0	ANGULAR TOL ± ---- °							
▽ = 0	DRAFT WHERE APPLICABLE MUST REMAIN WITHIN DIMENSIONS							
▽ = 0								