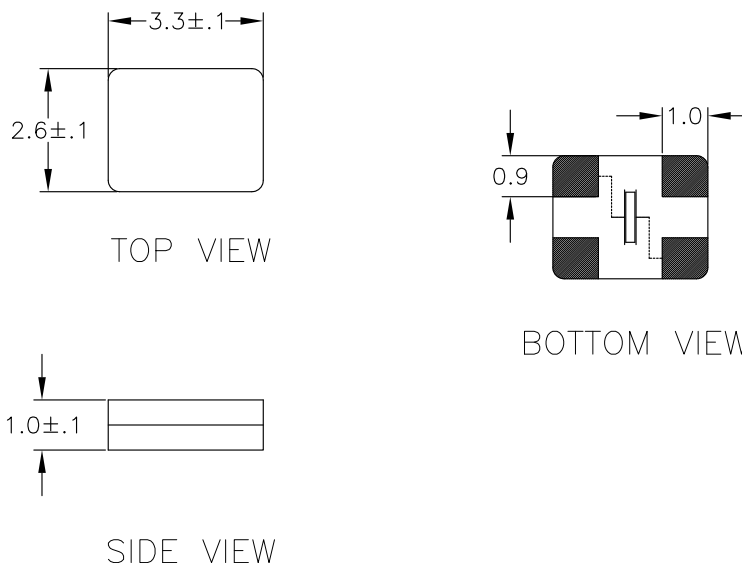


### Specifications

| Parameters                                                          | Ratings/Units                |
|---------------------------------------------------------------------|------------------------------|
| Frequency                                                           | 25.000 MHz                   |
| Resonance Mode                                                      | Fundamental                  |
| Frequency Tolerance @ 25°C                                          | ±20 PPM Max                  |
| Frequency Stability, ref @ 25°C<br>Over Operating Temperature Range | ±20 PPM Max                  |
| Temperature Range<br>Operating (TOPR)                               | 0°C ~ +70°C<br>-40°C ~ +85°C |
| Temperature Range, Storage (TSTG)                                   | -40°C ~ +85°C                |
| Equivalent Series Resistance (ESR)                                  | 50 Ohms Max                  |
| Shunt Capacitance (Co)                                              | 7 pF Max                     |
| Load Capacitance (CL)                                               | 8 pF                         |
| Drive Level                                                         | 0.3 mW Max                   |
| Aging per year                                                      | ±5 PPM Max                   |
| Maximum Soldering Temp / Time                                       | 260°C / 10 Seconds           |
| Moisture Sensitivity Level (MSL)                                    | 1                            |
| Termination Finish                                                  | Au                           |
| Weight (TYP)                                                        | 16.75 mg                     |
| RoHS Compliant, Pb-free                                             |                              |

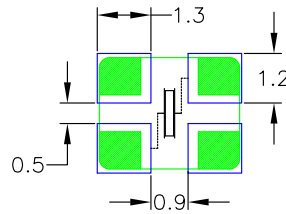
### Package Outline and Dimensions (JA4)



NOTES:  
1. ALL DIMENSIONS IN MM.

|                                                                                                                             |  |                       |                                                                                                                     |                             |
|-----------------------------------------------------------------------------------------------------------------------------|--|-----------------------|---------------------------------------------------------------------------------------------------------------------|-----------------------------|
| <small>TOLERANCES<br/>UNLESS SPECIFIED</small><br><small>DECIMAL ±</small><br><small>XXX ±</small><br><small>XXXX ±</small> |  |                       | <small>6024 Silver Creek Valley Rd<br/>San Jose, CA 95138<br/>PHONE: (408) 727-6116<br/>FAX: (408) 492-8674</small> |                             |
| <small>APPROVALS</small><br><small>DRAWN</small> <small>DATE</small> 2/5/15                                                 |  |                       | <small>TITLE</small> JA4 PACKAGE OUTLINE<br><small>3.2 x 2.5 mm BODY</small><br><small>1.0 mm Thick CLCC</small>    |                             |
| <small>CHECKED</small>                                                                                                      |  | <small>SIZE</small> C | <small>DRAWING No.</small> PSC-4499                                                                                 | <small>REV</small> 01       |
| <small>DO NOT SCALE DRAWING</small>                                                                                         |  |                       |                                                                                                                     | <small>SHEET 1 OF 2</small> |


## Package Outline and Dimensions (JA4), cont.



RECOMMENDED LAND PATTERN

### NOTES:

1. ALL DIMENSION ARE IN mm. ANGLES IN DEGREES.
2. TOP DOWN VIEW. AS VIEWED ON PCB.
3. COMPONENT OUTLINE SHOW FOR REFERENCE IN GREEN.
4. LAND PATTERN IN BLUE. NSMD PATTERN ASSUMED.
5. LAND PATTERN RECOMMENDATION PER IPC-7351B GENERIC REQUIREMENT FOR SURFACE MOUNT DESIGN AND LAND PATTERN.

|                                |         |                                                                                                                                                                                       |
|--------------------------------|---------|---------------------------------------------------------------------------------------------------------------------------------------------------------------------------------------|
| TOLERANCES<br>UNLESS SPECIFIED |         |  6024 Silver Creek Valley Rd<br>San Jose, CA 95138<br>PHONE: (408) 721-4116<br>FAX: (408) 492-9874 |
| DECIMAL                        | ANGULAR |                                                                                                                                                                                       |
| ±                              | ±       | www.IDT.com                                                                                                                                                                           |
| XXX±                           |         |                                                                                                                                                                                       |
| XXXX±                          |         |                                                                                                                                                                                       |
| APPROVALS                      | DATE    | TITLE                                                                                                                                                                                 |
| DRAWN: <i>gac</i>              | 2/2/15  | JM4 PACKAGE OUTLINE                                                                                                                                                                   |
| CHECKED:                       |         | 3.2 x 2.5 mm BODY                                                                                                                                                                     |
|                                |         | 1.0 mm Thick CLCC                                                                                                                                                                     |
|                                | SIZE    | DRAWING NO.                                                                                                                                                                           |
|                                | C       | PSC-4499                                                                                                                                                                              |
|                                |         | REV                                                                                                                                                                                   |
|                                |         | 01                                                                                                                                                                                    |
| DO NOT SCALE DRAWING           |         | SHEET 2 OF 2                                                                                                                                                                          |

## Ordering Information

| Part / Order Number | Shipping Packaging | Package                     | Temperature   |
|---------------------|--------------------|-----------------------------|---------------|
| 603-25-150JA4C      | Cut-Tape           | 3.2 x 2.5 x 1.0 mm JA4 CLCC | 0 to +70 °C   |
| 603-25-150JA4C8     | Tape and Reel      | 3.2 x 2.5 x 1.0 mm JA4 CLCC | 0 to +70 °C   |
| 603-25-150JA4I      | Cut-Tape           | 3.2 x 2.5 x 1.0 mm JA4 CLCC | -40 to +85 °C |
| 603-25-150JA4I8     | Tape and Reel      | 3.2 x 2.5 x 1.0 mm JA4 CLCC | -40 to +85 °C |



**Corporate Headquarters**  
 6024 Silver Creek Valley Road  
 San Jose, CA 95138 USA

**Sales**  
 1-800-345-7015 or 408-284-8200  
 Fax: 408-284-2775  
 www.IDT.com

**Tech Support**  
 email: clocks@idt.com

DISCLAIMER Integrated Device Technology, Inc. (IDT) and its subsidiaries reserve the right to modify the products and/or specifications described herein at any time and at IDT's sole discretion. All information in this document, including descriptions of product features and performance, is subject to change without notice. Performance specifications and the operating parameters of the described products are determined in the independent state and are not guaranteed to perform the same way when installed in customer products. The information contained herein is provided without representation or warranty of any kind, whether express or implied, including, but not limited to, the suitability of IDT's products for any particular purpose, an implied warranty of merchantability, or non-infringement of the intellectual property rights of others. This document is presented only as a guide and does not convey any license under intellectual property rights of IDT or any third parties.

IDT's products are not intended for use in applications involving extreme environmental conditions or in life support systems or similar devices where the failure or malfunction of an IDT product can be reasonably expected to significantly affect the health or safety of users. Anyone using an IDT product in such a manner does so at their own risk, absent an express, written agreement by IDT.

Integrated Device Technology, IDT and the IDT logo are registered trademarks of IDT. Product specification subject to change without notice. Other trademarks and service marks used herein, including protected names, logos and designs, are the property of IDT or their respective third party owners.

Copyright ©2015 Integrated Device Technology, Inc.. All rights reserved.