

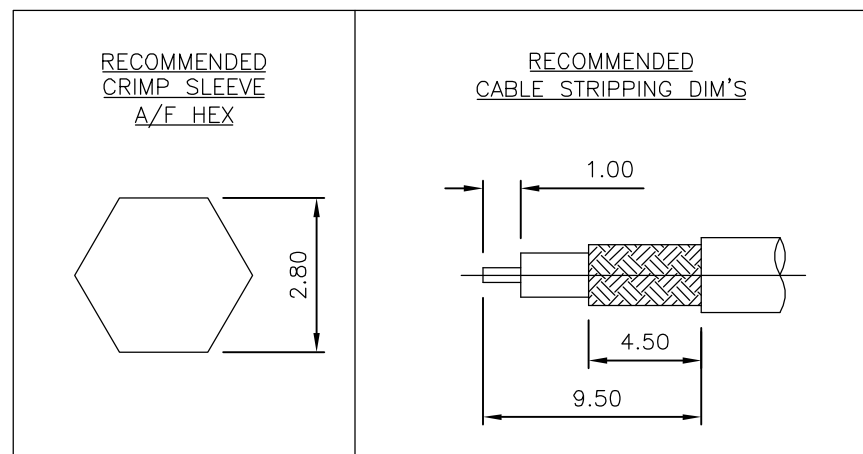
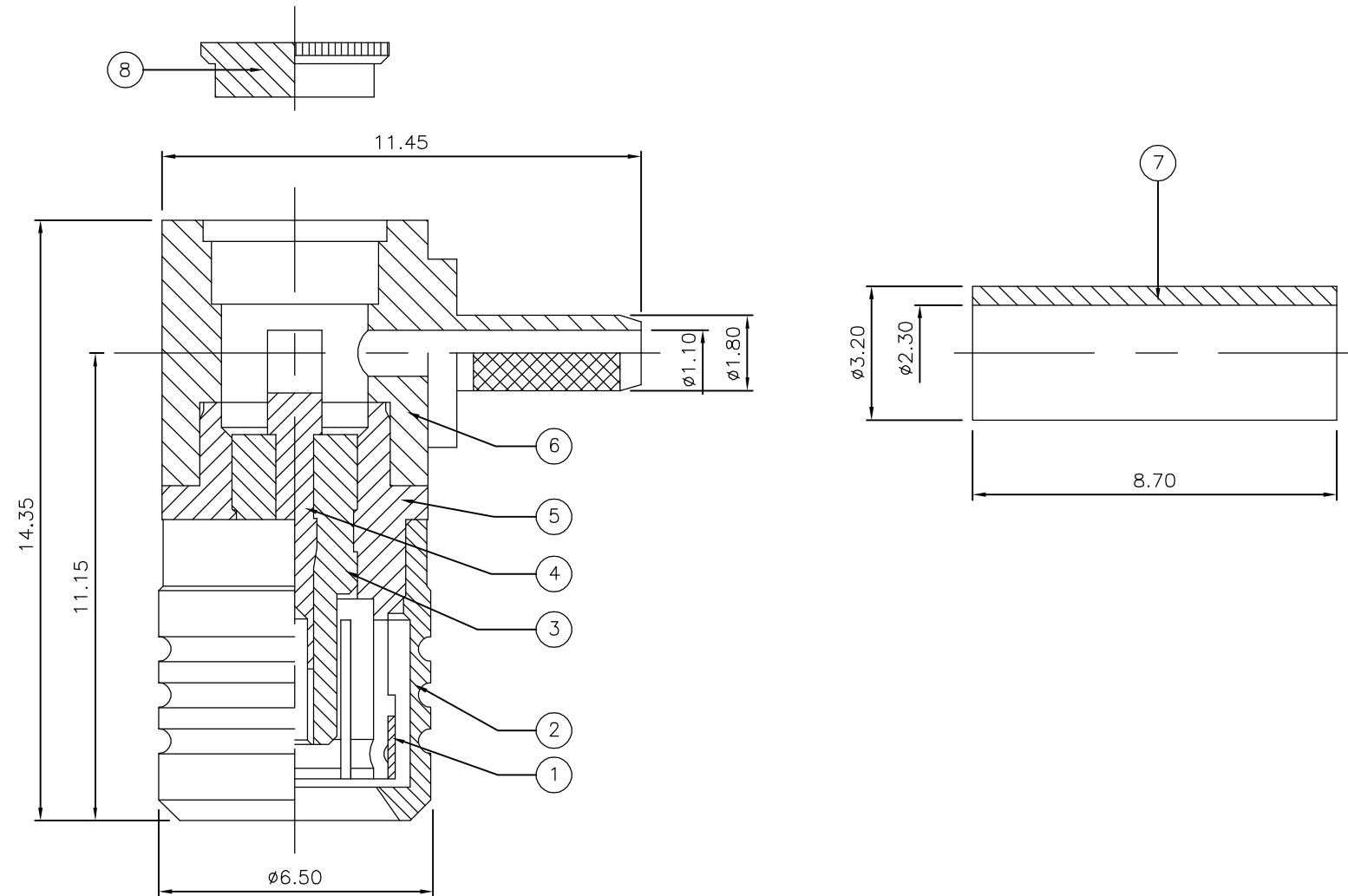
THIS DRAWING IS UNPUBLISHED. RELEASED FOR PUBLICATION FEB ,2006.

© COPYRIGHT 2006 BY TYCO ELECTRONICS CORPORATION. ALL RIGHTS RESERVED.

LOC	DIST	REVISIONS					
E	B	P	LTR	DESCRIPTION	DATE	DWN	APVD
		C		ECR-06-002568	06FEB06	JMS	FWK

NOTES:

- 1 PACK IN ACCORDANCE WITH AMP SPEC 107-3275
- 2 100 TRAY PACK IN ACCORDANCE WITH AMP SPEC 107-3275
- 3 Au PLATING
- 4 HAND TOOL : 9-1478240-0
- 5 DIE SET : 9-1478248-0
- 6 ELECTRICAL CHARACTERISTICS
 FREQUENCY RANGE: DC - 4 GHz
 NOMINAL IMPEDANCE: 50 Ohm
 INSULATION RESISTANCE: 1000 MOhm
 WORKING VOLTAGE: 250 Volts RMS at Sea Level
 DIELECTRIC WITHSTAND VOLTAGE: 750 Volts RMS Max
 CONTACT RESISTANCE:
 CENTRE CONTACT: 6.00 mOhm Max
 OUTER CONTACT: 1.00 mOhm Max
 VSWR @ 3GHz: 1.63:1
 INSERTION LOSS dB @ x 1.5 GHz: 0.60 Max
- 7 MECHANICAL CHARACTERISTICS
 COUPLING NUT RETENTION FORCE: N/A
 CABLE RETENTION FORCE:
 "RG174A/U, 188A/U, 316/U, URM95:" 85N Min
 "RG178B/U, 196A/U:" 25N Min
 DURABILITY: 500 Cycles Min
- 8 ENVIRONMENTAL CHARACTERISTICS
 OPERATING TEMPERATURE: -65 to +165 DegC



QTY	UNIT	MATERIAL	DESCRIPTION	ITEM
1	1	BRASS	CAP	8
1	1	BRASS	FERRULE	7
1	1	BRASS	BODY	6
1	1	BRASS	CHASSIS	5
1	1	BERYLLIUM COPPER	CONTACT	4
1	1	PTFE	INSULATION	3
1	1	BRASS	SHELL	2
1	1	BERYLLIUM COPPER	SPRING	1
6--0	1--0	MATERIAL	DESCRIPTION	ITEM

THIS DRAWING IS A CONTROLLED DOCUMENT.		DWN J.SANDWELL 06FEB06	Tyco Electronics Corporation Bideford EX39 4HE	
DIMENSIONS: mm		CHK S.PARLOW 06FEB06		
TOLERANCES UNLESS OTHERWISE SPECIFIED:		APVD F.WHEELER-KING 06FEB06	NAME SMB ELBOW PLUG CRIMP 50 OHM RG178B/U, 196A/U & URM110	
0 PLC ± -		PRODUCT SPEC -		
1 PLC ± -		APPLICATION SPEC -	SIZE A3	CAGE CODE 00779
2 PLC ± -		WEIGHT -	DRAWING NO C-1337600	RESTRICTED TO -
3 PLC ± -		CUSTOMER DRAWING	SCALE NTS	SHEET 1 OF 1
4 PLC ± -				REV C
ANGLES ± -				
FINISH -				