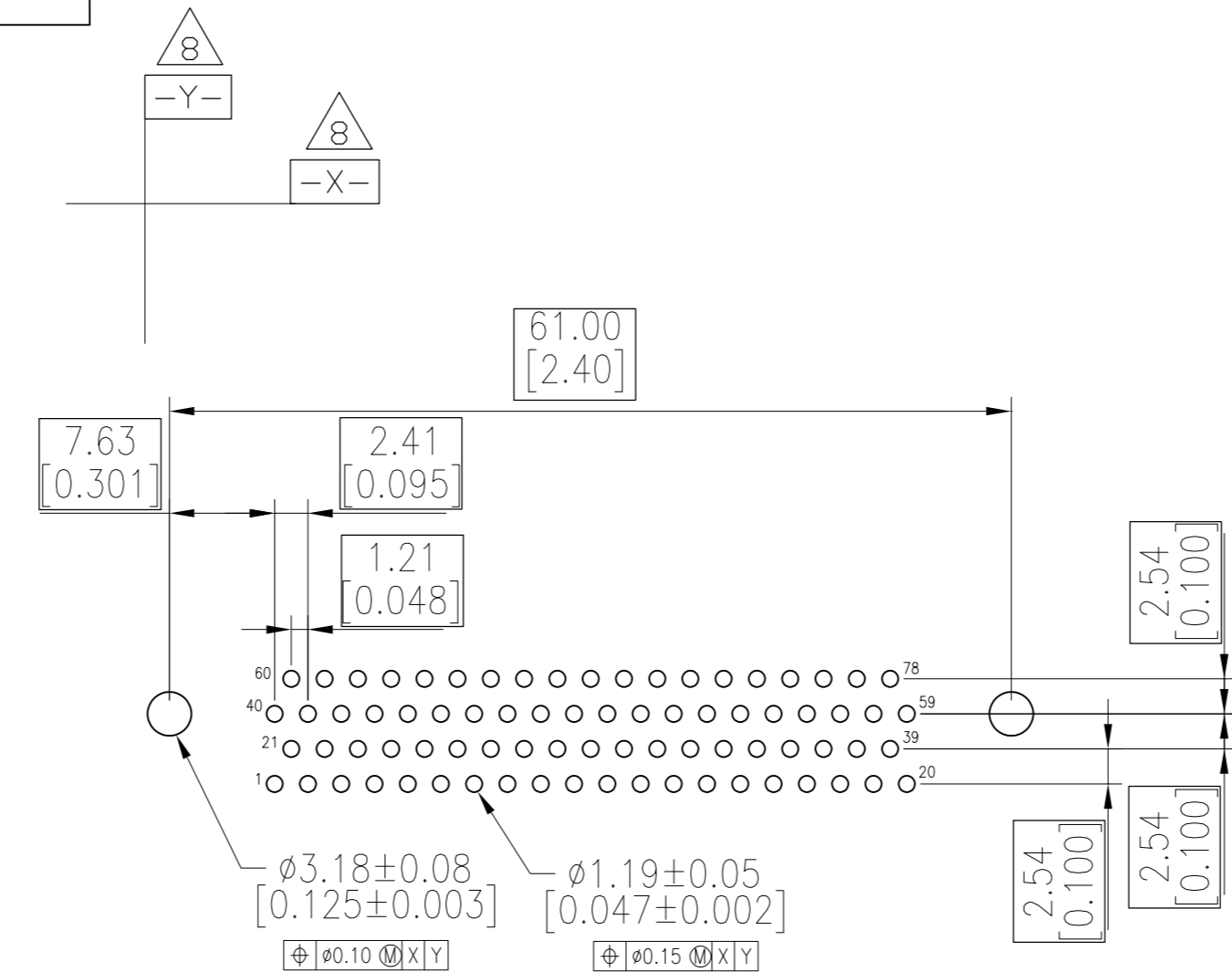
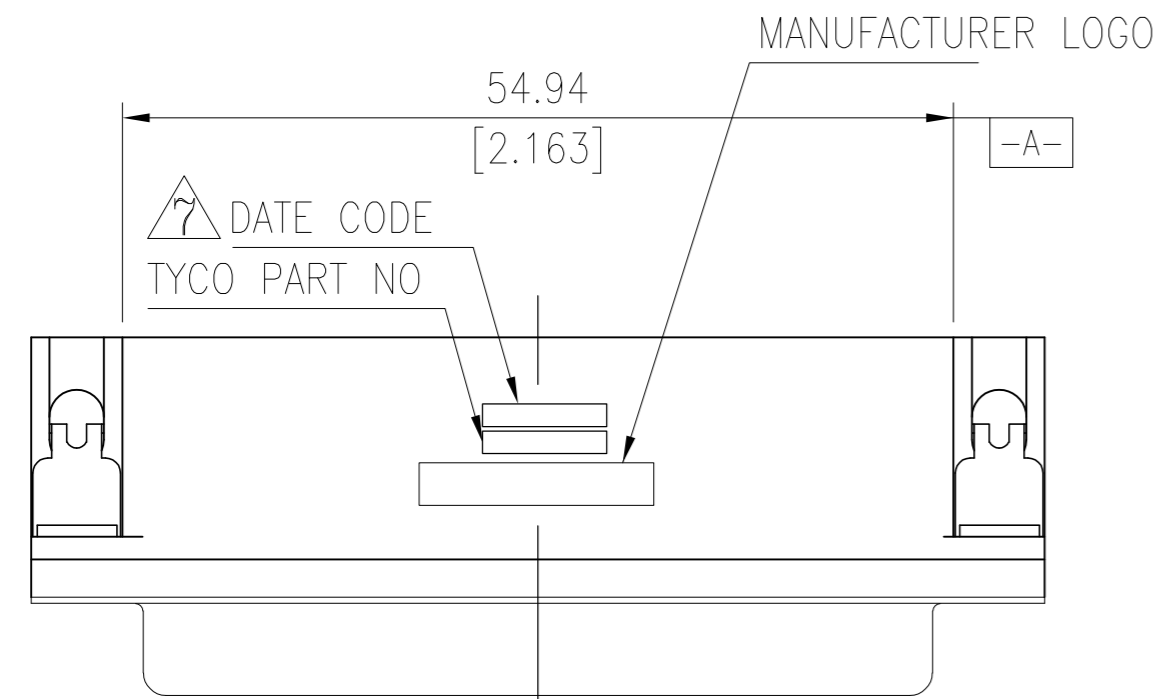


THIS DRAWING IS UNPUBLISHED. RELEASED FOR PUBLICATION
 © COPYRIGHT BY TYCO ELECTRONICS CORPORATION. ALL RIGHTS RESERVED.

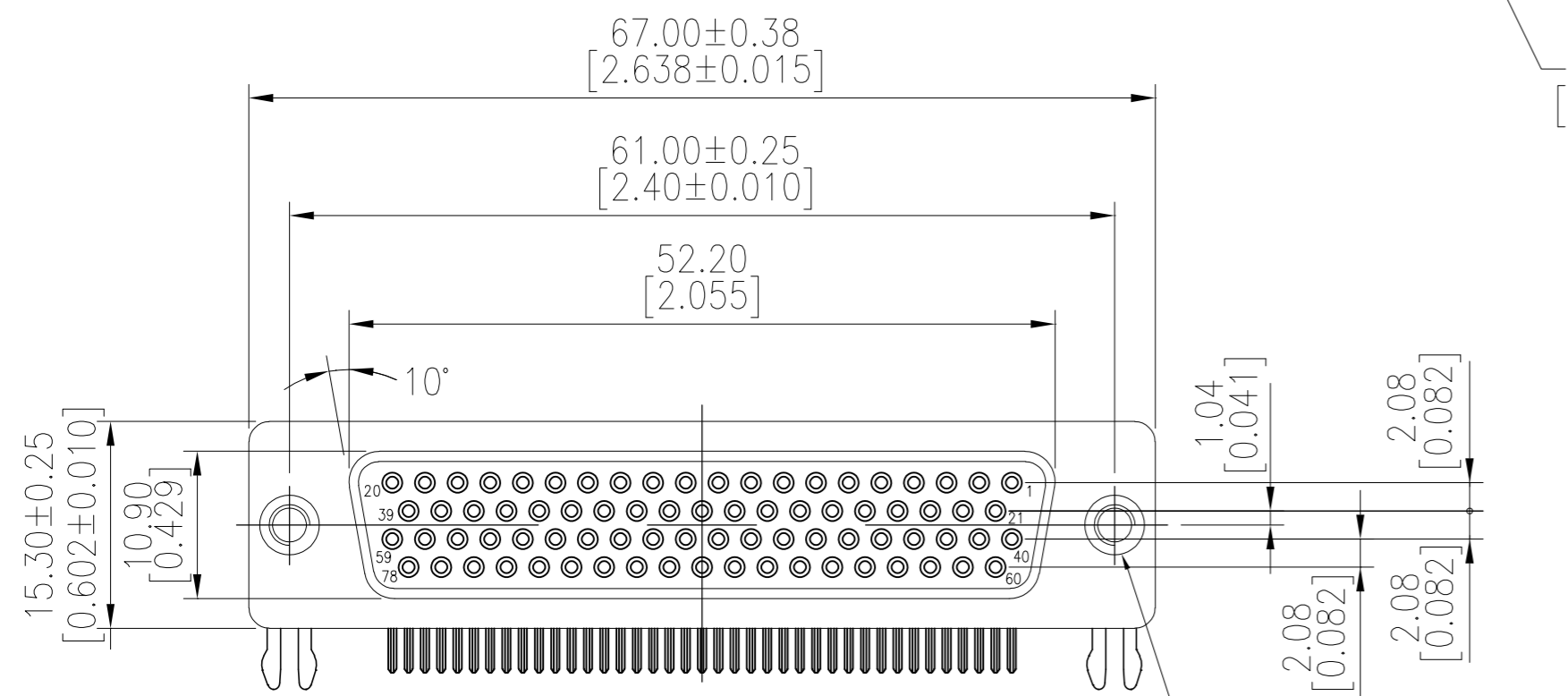
LOC		DIST		REVISIONS				
GP	00	P	LTR	DESCRIPTION	DATE	DWN	APVD	
		B		REVISED PER ECO-09-005756	15APR2009	ZMR	SLB	



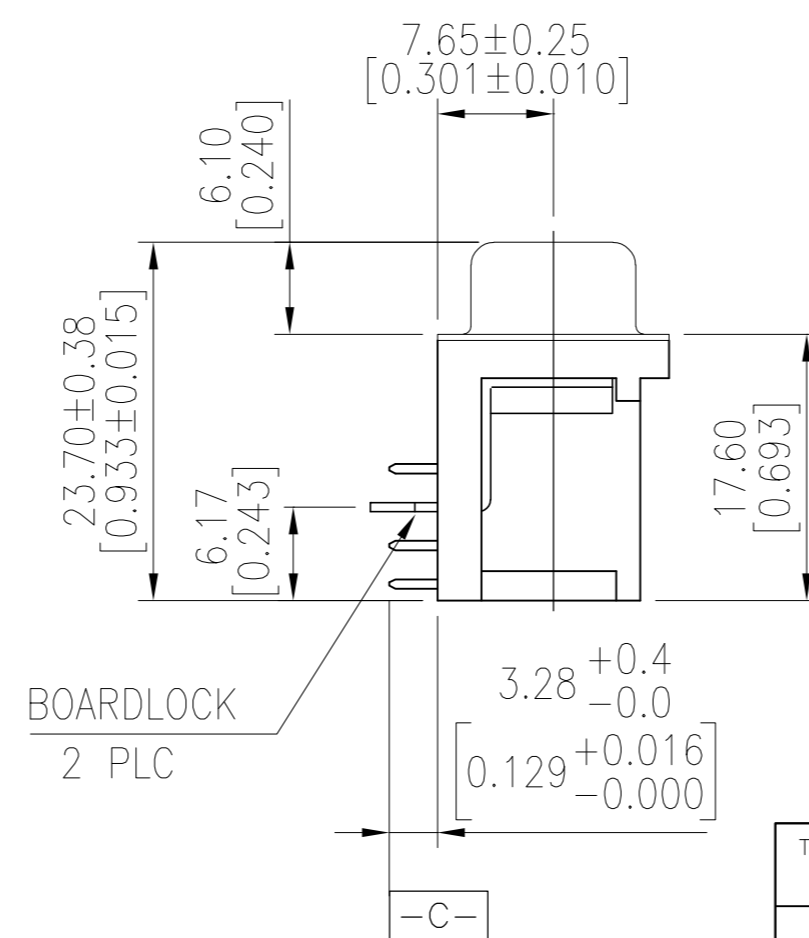
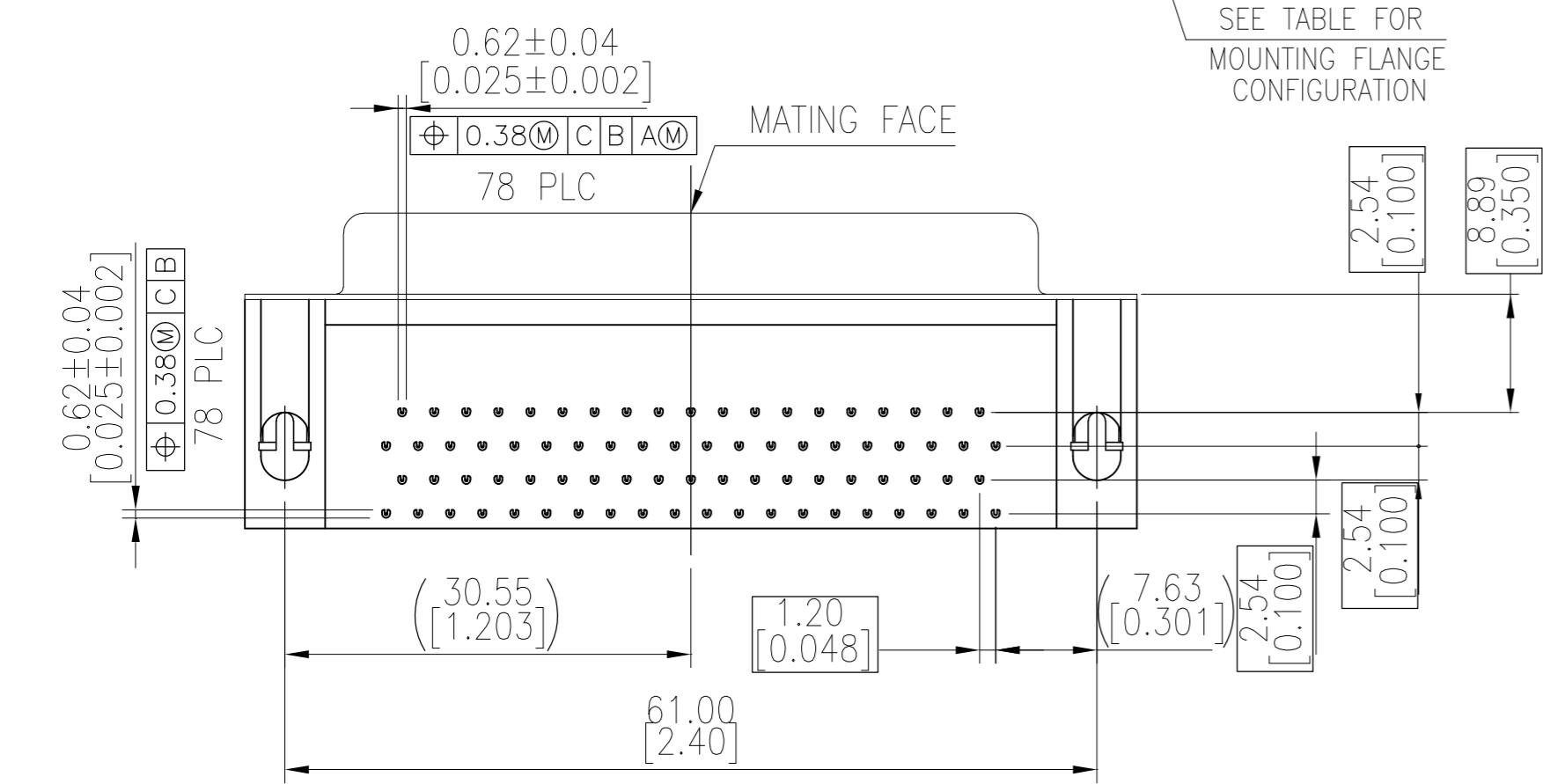
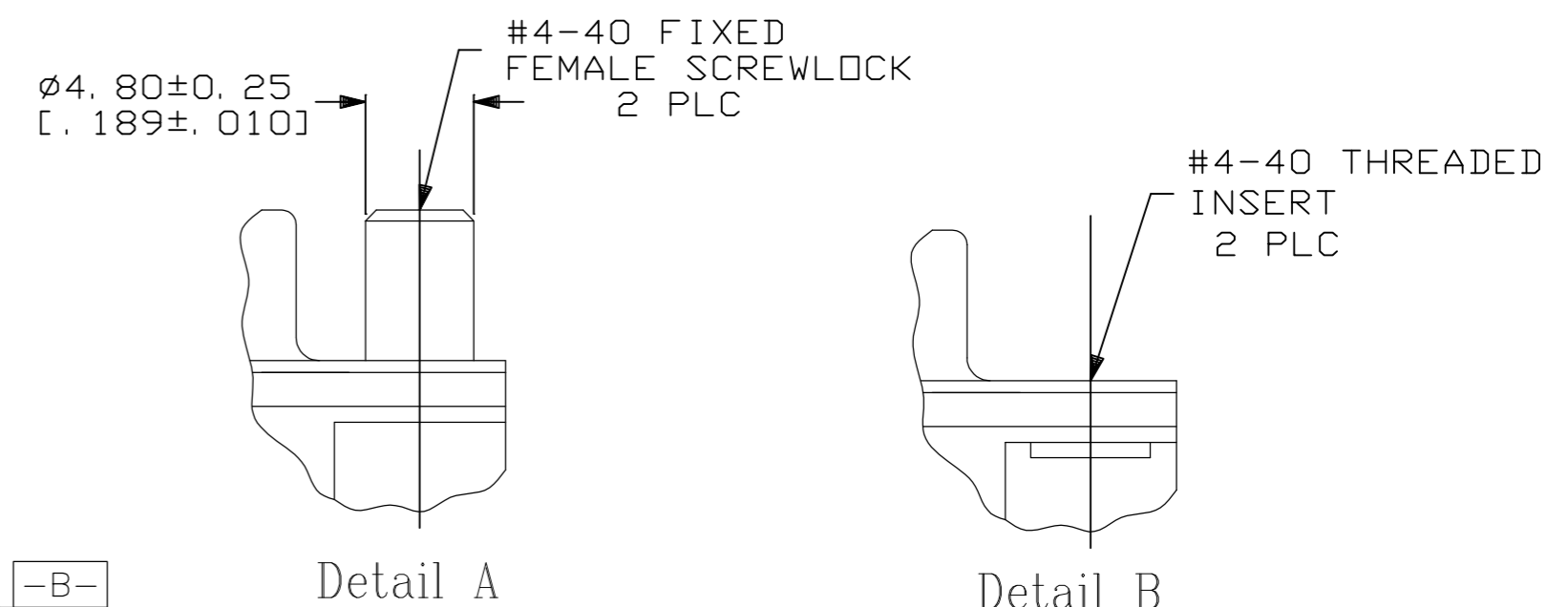
- HOUSING MATERIAL: PBT, GLASS FILLED, BLACK, UL 94V-0 RATED.
- CONTACT MATERIAL: PHOSPHOR BRONZE.
- CONTACT FINISH: GOLD PLATE IN MATING AREA (SEE TABLE), 120µ" MIN TIN PLATE ON SOLDER TAIL, BOTH OVER 50µ" MIN NICKEL UNDERPLATE.
- SHELL: STEEL, NICKEL PLATE.
- BOARDLOCK: BRASS, 100µ" MIN TIN PLATE.
- FEMALE SCREWLOCKS/ THREADED INSERTS: BRASS, NICKEL PLATE.

△ FOUR DIGIT DATE CODE IN THIS FORMAT.
 Year 01 45 Manufacturing Week

△ DATUMS -X- & -Y- TO BE ESTABLISHED BY CUSTOMER.



RECOMMENDED PCB LAYOUT



OBSOLETE	Tray	Detail A	15µ" MIN	2-5748483-2
OBSOLETE	Tray	Detail B	Gold flash	2-5748483-1
OBSOLETE	Tray	Detail B	15µ" MIN	2-5748483-0
	Tray	Detail A	30µ" MIN	5748483-6
	Tray	Detail B	30µ" MIN	5748483-5
	Packaging	Mounting Flange Configuration	Contact Mating Area Finish	AMP Part NO.

5748483-5, 2--0, & 2--1 SHOWN

THIS DRAWING IS A CONTROLLED DOCUMENT.		DWN	B.MCMMASTER	21SEP05	Tyco Electronics Corporation Harrisburg, PA 17105-3608	
DIMENSIONS: mm		CHK	S. BOLASH	21SEP05		
TOLERANCES UNLESS OTHERWISE SPECIFIED:		APVD	M. WALMSLEY	21SEP05		
0 PLC ± - 1 PLC ± 0.30 2 PLC ± 0.20 3 PLC ± 0.10 4 PLC ± - ANGLES ± 2°		PRODUCT SPEC				
MATERIAL	FINISH	APPLICATION SPEC			NAME	AMPLIMITE HD-22 78 POS RECEPTACLE, RIGHT ANGLE
		WEIGHT	-		SIZE	A2
		CUSTOMER DRAWING			CAGE CODE	00779
					DRAWING NO	C=5748483
					RESTRICTED TO	-
					SCALE	4:1
					SHEET	1 of 1
					REV	B