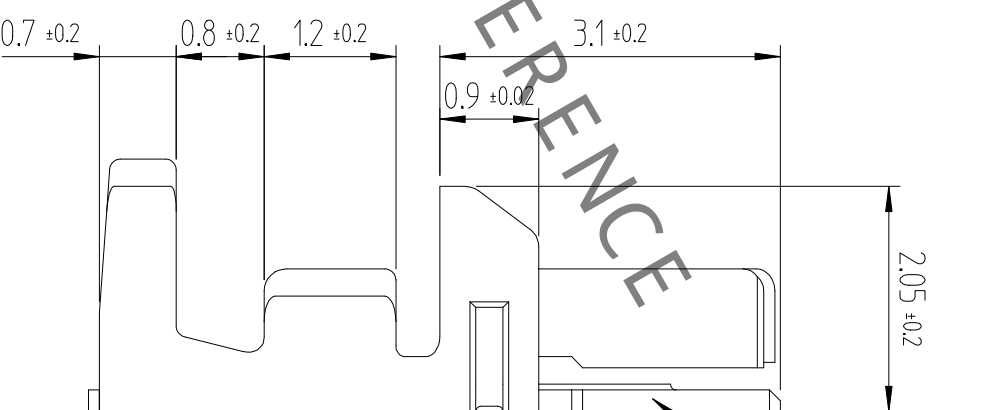
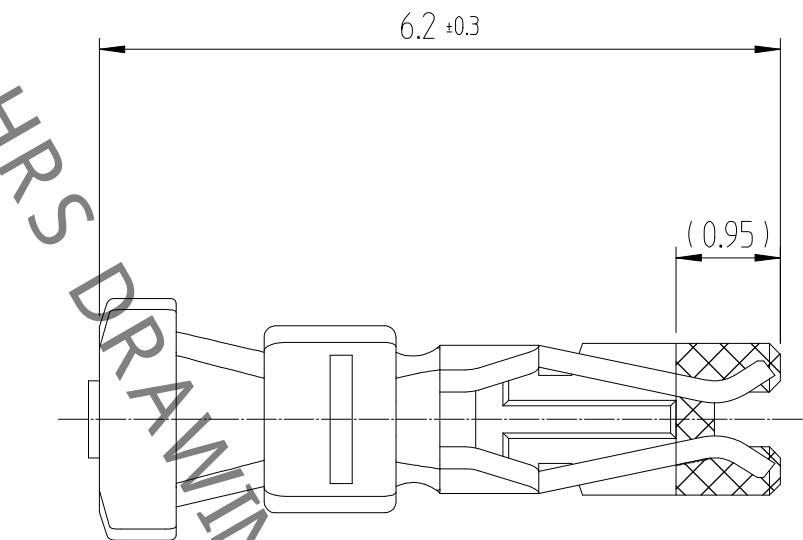
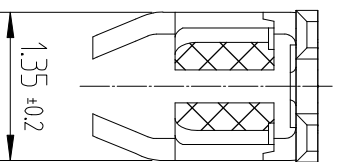


△數 COUNT	訂正事項 DESCRIPTION OF REVISIONS	擔當 B Y	檢圖 CHKD	年月日 DATE	△數 COUNT	訂正事項 DESCRIPTION OF REVISIONS	擔當 B Y	檢圖 CHKD	年月日 DATE
△				· · ·	△				· · ·
△				· · ·	△				· · ·
△				· · ·	△				· · ·



1

HRS DRAWING FOR REFERENCE

NOTE1. ONE PACK HAS 100 PIECES OF CONTACTS.

1	PHOSPHOR BRONZE	CONTACT : GOLD PLATING 0.2 μ m MIN CARRIER : TIN PLATING 1 μ m MIN OVER NICKEL 0.5 μ m MIN
---	-----------------	--

NO.	MATERIAL	FINISH. REMARKS	NO.	MATERIAL	FINISH. REMARKS
CODE NO. (OLD)			DRAWN		
			DESIGNED		
			CHECKED		
			APPROVED		
			RELEASED		

SCALE 10:1	DRAWING NO. EDC4-611516	PART NO. DF51K-2428SCA(800)
UNITS mm	HRS HIROSE KOREA CO.,LTD.	CODE NO 6652-0069-5-800
		1/1

F 1 2 3 4