

LTC3115-1 40V, 2A Synchronous Buck-Boost DC/DC Converter

DESCRIPTION

Demonstration circuit 1687B features the [LTC[®]3115-1](#), a high voltage monolithic synchronous buck-boost converter.

The DC1687B demo board has two user-selectable operating modes: Burst Mode[®] operation and forced continuous operation (fixed frequency PWM) (JP1). There is also an accurate programmable RUN pin which is used to enable the converter (JP2).

The DC1687B operates with a 2.7V to 40V input voltage range. The demo board has been designed with the output voltage set to 5V. The LTC3115-1 incorporates a proprietary low noise switching algorithm which optimizes efficiency with input voltages above, below or equal to the output voltage and ensures seamless transitions between operating modes.

The demo board has been programmed to operate at 1MHz in PWM mode to optimize small size with high efficiency operation.

The demo board also has optional provisions to back feed V_{CC} in order to increase efficiency in some 5V output applications. There is also a provision for an optional Schottky diode from SW2 to V_{OUT} for applications where V_{OUT} is greater than 20V and short circuit protection is desired. Consult the data sheet for more information on these options.

Figures 1 and 2 show typical demo board efficiency.

The LTC3115-1 data sheet has detailed information about the operation, specifications, and applications of the part. The data sheet should be read in conjunction with this quick start guide.

[Design files for this circuit board are available.](#)

All registered trademarks and trademarks are the property of their respective owners.

PERFORMANCE SUMMARY

PARAMETER	VALUE
Input Voltage Range	2.7V to 40V
V_{OUT}	5.0V
I_{OUT} (See Note 1)	1A For $V_{IN} \geq 3.6V$, 2A For $V_{IN} > 6V$
Efficiency	See Figures 1 and 2

Note 1: The Demo Board output current is a function of V_{IN} . Please refer to the data sheet for more information

Note: This manual is intended to be used with an updated version of the demo board titled, “Demo Circuit 1687B.” See Figure 3.

QUICK START PROCEDURE

Using short twisted pair leads for any power connections and with all loads and power supplies off, refer to Figure 3 for the proper measurement and equipment setup. The battery/power supply (PS1) should not be connected to the circuit until told to do so in the procedure below.

When measuring the input or output voltage ripple, care must be taken to avoid a long ground lead on the oscilloscope probe. Measure the input or output voltage ripple by touching the probe tip directly across the V_{IN} or V_{OUT} and GND terminals (see Figure 4), or by using an oscilloscope probe tip jack.

1. Jumper and PS1 settings to start:

PS1 = OFF

JP1 (PWM) = fixed frequency

JP2 (RUN) = ON

2. With power OFF connect the power supply (PS1) as shown in Figure 3. If accurate current measurements are desired (for efficiency calculation for example) then connect an ammeter in series with the supply as shown. The ammeter is not required however.

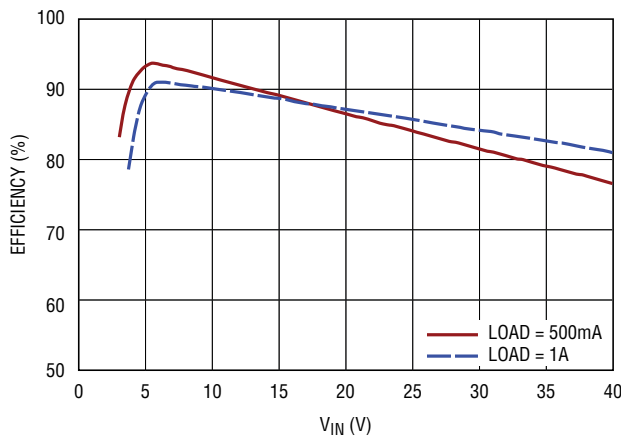


Figure 1. DC1687B Efficiency in PWM Mode

3. Connect a 500mA load to V_{OUT} as shown in Figure 3 (10Ω for $V_{OUT} = 5V$). Connect an ammeter if accurate current measurement or monitoring is desired.
4. Turn on PS1 and slowly increase voltage until the voltage at V_{IN} is 4.0V.
5. Verify V_{OUT} is ~5.0V.
6. V_{IN} can now be varied between 2.7V and 40V. I_{OUT} may need to be reduced for $V_{IN} < 4V$. V_{OUT} should remain in regulation.
7. Load current (I_{OUT}) can also be varied. The maximum I_{OUT} is a function of V_{IN} and the current limit. Consult the data sheet for more information on I_{OUT} vs V_{IN} . In general for $V_{IN} > 3.6V$ I_{OUT} can be increased to 1A. For $V_{IN} > 6V$ I_{OUT} can be increased to 2A.
8. For Burst Mode operation, move Jumper JP1 to burst. I_{OUT} is limited in Burst Mode operation. See the data sheet for more information.
9. NOTE: If V_{OUT} drops out of regulation, check to be sure the maximum load has not been exceeded, or that V_{IN} is not below the minimum value for regulation (see data sheet)

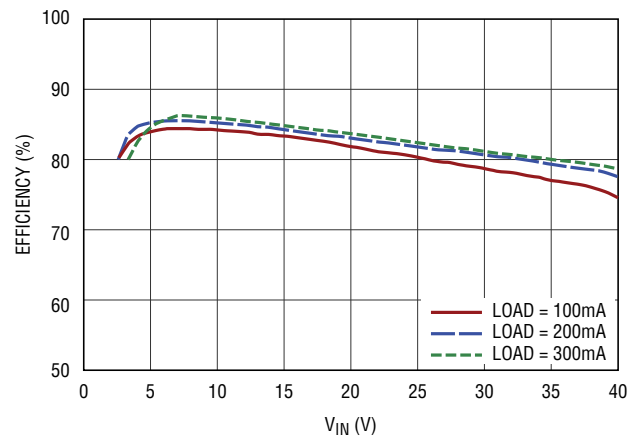


Figure 2. DC1687B Efficiency in Burst Mode Operation

QUICK START PROCEDURE

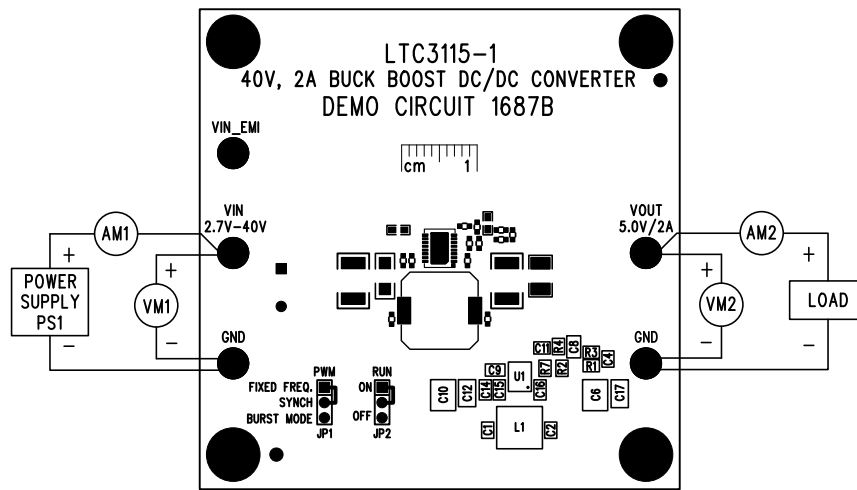


Figure 3. Proper Measurement Equipment Setup

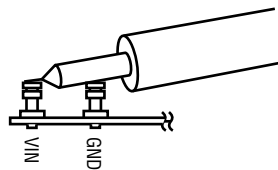


Figure 4. Measuring Input or Output Ripple

DEMO MANUAL DC1687B

PARTS LIST

ITEM	QTY	REFERENCE	PART DESCRIPTION	MANUFACTURER/PART NUMBER
Required Circuit Components				
1	2	C1,C2	CAP CER 0.10uF 16V X7R ±20% 0402	TDK, C1005X7R1C104M
2	1	C4	CAP CER 33pF 50V COG 5% 0402	TDK, C1005C0G1H330J
3	1	C6	CAP CER 47uF 10V 20% X5R 1812	TDK, C4532X5R1A476M
4	1	C7	CAP CER 1.0uF 25V X5R 0603	TDK, C1608X5R1E105M
5	1	C8	CAP CER 3300pF 50V 5% NPO 0603	TDK, C1608C0G1H332J
6	1	C9	CAP CER 4.7uF 6.3V X5R 20% 0603	TDK, C1608X5R0J475M
7	1	C10	CAP CER 4.7uF 50V 20% X7R 1812	TDK, C4532X7R1H475M/2.00
8	1	C11	CAP CER 10pF 50V COG 0402	TDK, C1005C0G1H100D
9	1	C12	CAP CER 1.0uF 50V X7R 20% 1206	TDK, C3216X7R1H105M
10	1	C13	CAP CER 0.1uF 50V 20% X7R 0805	TDK, C2012X7R1H104M/0.85
11	1	C14	CAP CER 1UF 50V X5R 0402	TAIYO YUDEN, UMK105CJB105MV-F
12	2	C15,C16	CAP CER 0.1UF 50V X7R 0402	TDK, CGA2B3X7R1H104K050BB
13	1	L1	INDUCTOR, 10uH, +/-20%	COILCRAFT, MSS1048-103MLB
14	2	R1,R6	RES, 1.00M OHM 1/16W 1% 0402 SMD	VISHAY, CRCW04021M00FKED
15	1	R2	RES, 249k OHM 1/10W 1% 0402 SMD	VISHAY, CRCW0402249KFKED
16	1	R3	RES, 15.0k OHM 1/10W 1% 0402 SMD	PANASONIC, ERJ-2RKF1502X
17	1	R4	RES, 60.4k OHM 1/10W 1% 0402 SMD	PANASONIC, ERJ-2RKF6042X
18	1	R7	RES, 47.5k OHM 1/10W 1% 0402 SMD	VISHAY, CRCW040247K5FKED
19	1	U1	40V, 2A BUCK BOOST DC/DC CONVERTER	ANALOG DEVICES, LTC3115EDHD-1
Additional Demo Board Circuit Components				
1	0	C3	CAP CER 1000PF 50V 20% X7R 0402 (OPT)	TDK, C1005X7R1H102M
2	0	C5	CAP ALUM 150uF 50V 20% RADIAL (OPT)	PANASONIC, EEU-FM1H151
3	0	C17	CAP CER 1210 (OPT)	
4	0	C18,C19	CAP CER 1206 4.7uF (OPT)	
5	0	D2	DIODE SCHOTTKY 60V 3A SMA (OPT)	DIODES INC.,B360A-13
6	1	D1	DIODE SCHOTTKY, 20V 1A SOD323 (OPT)	NXP SEMI, PMEG2010EA
7	0	R5	RES, 0402 (OPT)	
8	0	L2	INDUCTOR, 2.2uH (OPT)	COILCRAFT XAL60XX SERIES
9	0	FB1	FERRITE BEAD (OPT)	WURTH, 782853121
Hardware For Demo Board Only				
1	5	E1-E5	TP, TURRET, 0.094", PBF	MILL-MAX, 2501-2-00-80-00-00-07-0
2	2	JP1, JP2	JMP, 3PIN 1 ROW .079CC	SAMTEC, TMM-103-02-L-S
3	2	XJP1,XJP2	SHUNT, .079" CENTER	SAMTEC, 2SN-BK-G
4	4		SPACER STACKING #4 SCREW NYLON .500"	KEYSTONE, 8833



ESD Caution

ESD (electrostatic discharge) sensitive device. Charged devices and circuit boards can discharge without detection. Although this product features patented or proprietary protection circuitry, damage may occur on devices subjected to high energy ESD. Therefore, proper ESD precautions should be taken to avoid performance degradation or loss of functionality.

Legal Terms and Conditions

By using the evaluation board discussed herein (together with any tools, components documentation or support materials, the "Evaluation Board"), you are agreeing to be bound by the terms and conditions set forth below ("Agreement") unless you have purchased the Evaluation Board, in which case the Analog Devices Standard Terms and Conditions of Sale shall govern. Do not use the Evaluation Board until you have read and agreed to the Agreement. Your use of the Evaluation Board shall signify your acceptance of the Agreement. This Agreement is made by and between you ("Customer") and Analog Devices, Inc. ("ADI"), with its principal place of business at One Technology Way, Norwood, MA 02062, USA. Subject to the terms and conditions of the Agreement, ADI hereby grants to Customer a free, limited, personal, temporary, non-exclusive, non-sublicensable, non-transferable license to use the Evaluation Board FOR EVALUATION PURPOSES ONLY. Customer understands and agrees that the Evaluation Board is provided for the sole and exclusive purpose referenced above, and agrees not to use the Evaluation Board for any other purpose. Furthermore, the license granted is expressly made subject to the following additional limitations: Customer shall not (i) rent, lease, display, sell, transfer, assign, sublicense, or distribute the Evaluation Board; and (ii) permit any Third Party to access the Evaluation Board. As used herein, the term "Third Party" includes any entity other than ADI, Customer, their employees, affiliates and in-house consultants. The Evaluation Board is NOT sold to Customer; all rights not expressly granted herein, including ownership of the Evaluation Board, are reserved by ADI. CONFIDENTIALITY. This Agreement and the Evaluation Board shall all be considered the confidential and proprietary information of ADI. Customer may not disclose or transfer any portion of the Evaluation Board to any other party for any reason. Upon discontinuation of use of the Evaluation Board or termination of this Agreement, Customer agrees to promptly return the Evaluation Board to ADI. ADDITIONAL RESTRICTIONS. Customer may not disassemble, decompile or reverse engineer chips on the Evaluation Board. Customer shall inform ADI of any occurred damages or any modifications or alterations it makes to the Evaluation Board, including but not limited to soldering or any other activity that affects the material content of the Evaluation Board. Modifications to the Evaluation Board must comply with applicable law, including but not limited to the RoHS Directive. TERMINATION. ADI may terminate this Agreement at any time upon giving written notice to Customer. Customer agrees to return to ADI the Evaluation Board at that time. LIMITATION OF LIABILITY. THE EVALUATION BOARD PROVIDED HEREUNDER IS PROVIDED "AS IS" AND ADI MAKES NO WARRANTIES OR REPRESENTATIONS OF ANY KIND WITH RESPECT TO IT. ADI SPECIFICALLY DISCLAIMS ANY REPRESENTATIONS, ENDORSEMENTS, GUARANTEES, OR WARRANTIES, EXPRESS OR IMPLIED, RELATED TO THE EVALUATION BOARD INCLUDING, BUT NOT LIMITED TO, THE IMPLIED WARRANTY OF MERCHANTABILITY, TITLE, FITNESS FOR A PARTICULAR PURPOSE OR NON-INFRINGEMENT OF INTELLECTUAL PROPERTY RIGHTS. IN NO EVENT WILL ADI AND ITS LICENSORS BE LIABLE FOR ANY INCIDENTAL, SPECIAL, INDIRECT, OR CONSEQUENTIAL DAMAGES RESULTING FROM CUSTOMER'S POSSESSION OR USE OF THE EVALUATION BOARD, INCLUDING BUT NOT LIMITED TO LOST PROFITS, DELAY COSTS, LABOR COSTS OR LOSS OF GOODWILL. ADI'S TOTAL LIABILITY FROM ANY AND ALL CAUSES SHALL BE LIMITED TO THE AMOUNT OF ONE HUNDRED US DOLLARS (\$100.00). EXPORT. Customer agrees that it will not directly or indirectly export the Evaluation Board to another country, and that it will comply with all applicable United States federal laws and regulations relating to exports. GOVERNING LAW. This Agreement shall be governed by and construed in accordance with the substantive laws of the Commonwealth of Massachusetts (excluding conflict of law rules). Any legal action regarding this Agreement will be heard in the state or federal courts having jurisdiction in Suffolk County, Massachusetts, and Customer hereby submits to the personal jurisdiction and venue of such courts. The United Nations Convention on Contracts for the International Sale of Goods shall not apply to this Agreement and is expressly disclaimed.