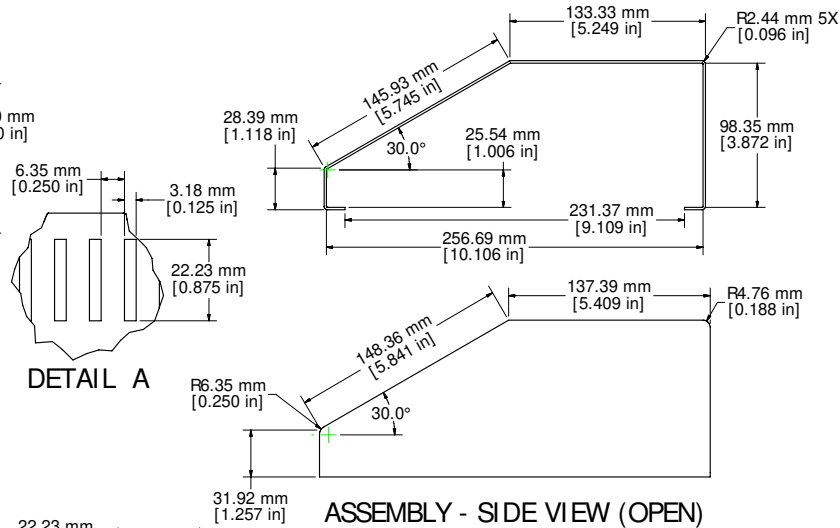
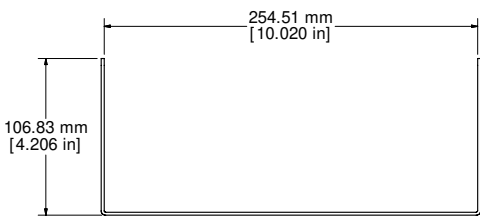
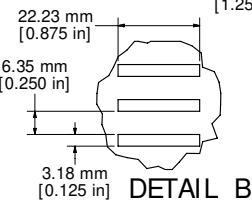


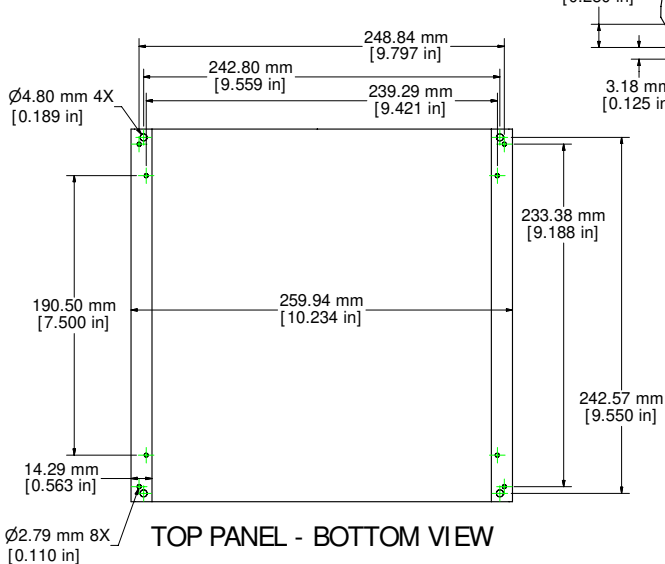
ASSEMBLY - REAR VIEW (OPEN)



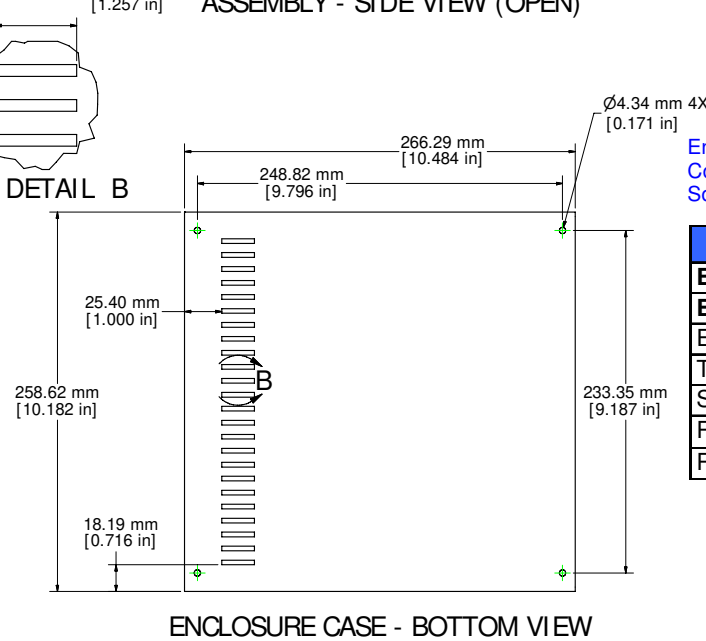
ASSEMBLY - SIDE VIEW (OPEN)



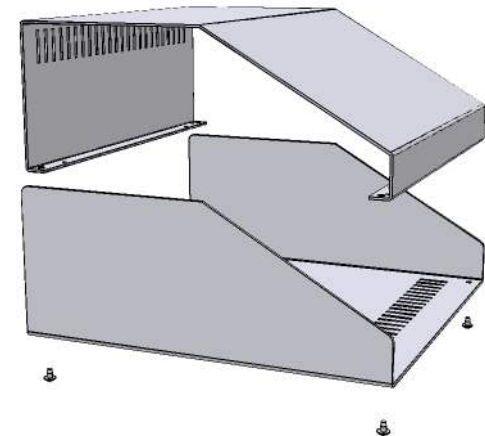
DETAIL A



TOP PANEL - BOTTOM VIEW



ENCLOSURE CASE - BOTTOM VIEW



Enclosures can be Factory Modified (Milling, Drilling, Printing etc.)
 Contact Factory mjm@hammondmfg.com for quotes
 Solid models of this enclosure available in STEP or IGES.

1456KK4
Beige Top, Blue Case - 1456KK4WHBU
Black Top, Blue Case - 1456KK4BKBU
Enclosure Case - 12 ga. Aluminum
Top Panel Sizes to 14" Wide - 14 ga. Aluminum
Self Adhesive Rubber Feet Included
Required Hardware Included
Replacement Screws - 1421-J6 (6 pcs.)



**HAMMOND
 MANUFACTURING™**

1456KK4

www.hammondmfg.com