



FCIconnect.com

Copyright FCI.

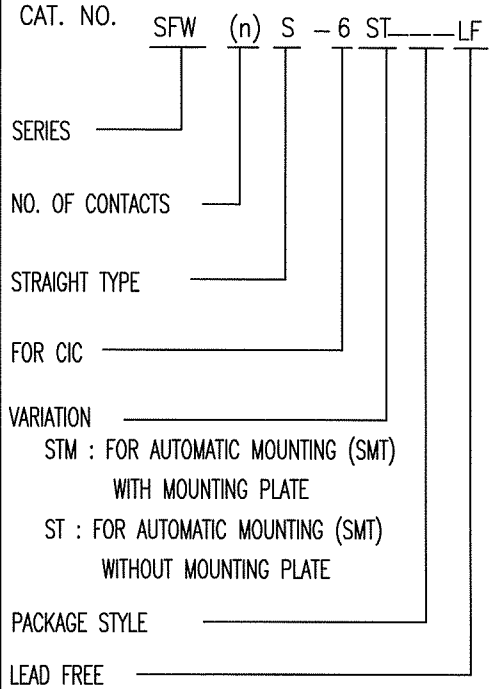
Configuration of Documents

| P/N | Documents | No. | Title | CAT.No. |
|------------------|------------------------------|-------------|--|----------------|
| SFW_S-25T(M)E1 | Specification Connector dwg. | SC-SFWS01 | CAT.NO.TABLE FOR 1mm SPACING SMT CONNECTOR | SFW_S-25T |
| | | JSA93342 | 1mm SPACING SURFACE MOUNT FPC/FFC CONNECTOR | SFW_S-25T |
| | | JSA93579 | 1mm SPACING SURFACE MOUNT FPC/FFC CONNECTOR | SFW_S-25T |
| | | JSA93836 | CAT. NO. TABLE FOR PLASTIC TAPE PACKAGED 1mm SPACING SMT CONN. | SFW_S-25T_E1 |
| | | JSA93343 | PLASTIC TAPE PACKAGED 1mm SPACING SMT CONNECTOR | SFW_S-25T_E1 |
| | | JSA93338 | RECOMMENDED CABLE | SFW_S-25T |
| | | JSA93340 | RECOMMENDED CABLE | SFW_S-25T |
| | | JSA93341 | RECOMMENDED CABLE | SFW_S-25T |
| | | BJM-SFWS101 | RECOMMENDED CABLE | SFW_S-25T |
| | | JSA93900 | RECOMMENDED CABLE | SFW_S-25T |
| SFW_S-65T(M)E1 | Specification Connector dwg. | SC-SFWS02 | CAT.NO.TABLE FOR 1mm SPACING SMT CONNECTOR | SFW_S-65T |
| | | JSA93900 | 1mm SPACING SURFACE MOUNT C/C CONNECTOR | SFW_S-65T |
| | | JSA93905 | 1mm SPACING SURFACE MOUNT C/C CONNECTOR | SFW_S-65T |
| | | JSA93901 | CAT. NO. TABLE FOR PLASTIC TAPE PACKAGED 1mm SPACING SMT CONN. | SFW_S-65T_E1 |
| | | JSA93902 | PLASTIC TAPE PACKAGED 1mm SPACING SMT CONNECTOR | SFW_S-65T_E1 |
| | | JSA93903 | RECOMMENDED CABLE | SFW_S-65T |
| | | JSA93904 | RECOMMENDED CABLE | SFW_S-65T |
| | | BJM-SFWS102 | RECOMMENDED CABLE | SFW_S-65T |
| | | JSA96516 | RECOMMENDED CABLE | SFW_S-65T |
| | | JSA96517 | RECOMMENDED CABLE | SFW_S-65T |
| SFW_S-25T(M)E1LF | Specification Connector dwg. | SC-SFWS03 | CAT.NO.TABLE FOR 1mm SPACING SMT CONNECTOR | SFW_S-25T_LF |
| | | JSA96516 | 1mm SPACING SURFACE MOUNT FPC/FFC CONNECTOR | SFW_S-25T_LF |
| | | JSA96517 | 1mm SPACING SURFACE MOUNT FPC/FFC CONNECTOR | SFW_S-25T_LF |
| | | JSA96518 | CAT. NO. TABLE FOR PLASTIC TAPE PACKAGED 1mm SPACING SMT CONN. | SFW_S-25T_E1LF |
| | | JSA96519 | PLASTIC TAPE PACKAGED 1mm SPACING SMT CONNECTOR | SFW_S-25T_E1LF |
| | | JSA96520 | RECOMMENDED CABLE | SFW_S-25T_LF |
| | | JSA93340 | RECOMMENDED CABLE | SFW_S-25T_LF |
| | | JSA93341 | RECOMMENDED CABLE | SFW_S-25T_LF |
| | | BJM-SFWS101 | RECOMMENDED CABLE | SFW_S-25T_LF |
| | | JSA96521 | RECOMMENDED CABLE | SFW_S-25T_LF |
| SFW_S-65T(M)E1LF | Specification Connector dwg. | SC-SFWS04 | CAT. NO. TABLE FOR 1mm SPACING SMT CONNECTOR | SFW_S-65T_LF |
| | | JSA96521 | 1mm SPACING SURFACE MOUNT C/C CONNECTOR | SFW_S-65T_LF |
| | | JSA96522 | 1mm SPACING SURFACE MOUNT C/C CONNECTOR | SFW_S-65T_LF |
| | | JSA96523 | CAT. NO. TABLE FOR PLASTIC TAPE PACKAGED 1mm SPACING SMT CONN. | SFW_S-65T_E1LF |
| | | JSA96524 | PLASTIC TAPE PACKAGED 1mm SPACING SMT CONNECTOR | SFW_S-65T_E1LF |
| | | JSA96525 | RECOMMENDED CABLE | SFW_S-65T_LF |
| | | JSA93904 | RECOMMENDED CABLE | SFW_S-65T_LF |
| | | BJM-SFWS102 | RECOMMENDED CABLE | SFW_S-65T_LF |
| | | JSA96526 | RECOMMENDED CABLE | SFW_S-65T_LF |
| | | JSA96527 | RECOMMENDED CABLE | SFW_S-65T_LF |

| | | | | | | | | | |
|-------------|----------------|--|-----------------------------|---------------------------------------|--------|---------------------|--|---|--|
| mat'l. code | | surface 58 / tolerance ISO 1302 / ISO 406 / ISO 1101 | | projection | | product family 58SF | | CODE JP | |
| ltr | ecn no | dr | date | tolerances unless otherwise specified | | title | | SFW_S Documents Configuration (1mm Spacing connector) | |
| A | J05-0334 | H.T | 6/3/'05 | angles | linear | mm | | scale | |
| B | J05-0377 | H.T | 6/22/'05 | | | mm | | sheet 1 of 1 | |
| C | J06-0430 | H.T | 10/19/'06 | | | scale | | size A4 | |
| | | dr | <i>H. Shoyji</i> 10/19/06 | | | FCI | | sheet 1 of 1 | |
| | | enr | <i>H. Shoyji</i> 10/19/06 | | | | | JSA96060 | |
| | | chr | <i>R. Shoyji</i> 10/19/06 | | | | | A4 | |
| | | appd | <i>S. Anderson</i> 10/20/06 | | | | | Product Customer Drawing | |
| sheet index | revision sheet | C | 1 | | | | | Rev. C | |

CAT. NO. & DIMENSIONS

| NOTE3 | NO. OF CONTACTS (n) | CAT. NO. | DIMENSIONS (NOTE2) | | |
|-------|---------------------|----------------|--------------------|--------|--------|
| | | | A ±0.2 | B ±0.2 | C ±0.2 |
| | 4 | SFW4S-6ST__LF | 10.4 | 5.24 | 3 |
| | 5 | SFW5S-6ST__LF | 11.4 | 6.24 | 4 |
| | 6 | SFW6S-6ST__LF | 12.4 | 7.24 | 5 |
| * | 7 | SFW7S-6ST__LF | 13.4 | 8.24 | 6 |
| | 8 | SFW8S-6ST__LF | 14.4 | 9.24 | 7 |
| * | 9 | SFW9S-6ST__LF | 15.4 | 10.24 | 8 |
| | 10 | SFW10S-6ST__LF | 16.4 | 11.24 | 9 |
| | 11 | SFW11S-6ST__LF | 17.4 | 12.24 | 10 |
| * | 12 | SFW12S-6ST__LF | 18.4 | 13.24 | 11 |
| | 13 | SFW13S-6ST__LF | 19.4 | 14.24 | 12 |
| | 14 | SFW14S-6ST__LF | 20.4 | 15.24 | 13 |
| | 15 | SFW15S-6ST__LF | 21.4 | 16.24 | 14 |
| | 16 | SFW16S-6ST__LF | 22.4 | 17.24 | 15 |
| | 17 | SFW17S-6ST__LF | 23.4 | 18.24 | 16 |
| * | 18 | SFW18S-6ST__LF | 24.4 | 19.24 | 17 |
| * | 19 | SFW19S-6ST__LF | 25.4 | 20.24 | 18 |
| | 20 | SFW20S-6ST__LF | 26.4 | 21.24 | 19 |
| * | 21 | SFW21S-6ST__LF | 27.4 | 22.24 | 20 |
| | 22 | SFW22S-6ST__LF | 28.4 | 23.24 | 21 |
| | 23 | SFW23S-6ST__LF | 29.4 | 24.24 | 22 |
| | 24 | SFW24S-6ST__LF | 30.4 | 25.24 | 23 |
| * | 25 | SFW25S-6ST__LF | 31.4 | 26.24 | 24 |
| | 26 | SFW26S-6ST__LF | 32.4 | 27.24 | 25 |
| * | 27 | SFW27S-6ST__LF | 33.4 | 28.24 | 26 |
| | 28 | SFW28S-6ST__LF | 34.4 | 29.24 | 27 |
| | 29 | SFW29S-6ST__LF | 35.4 | 30.24 | 28 |
| | 30 | SFW30S-6ST__LF | 36.4 | 31.24 | 29 |
| * | 31 | SFW31S-6ST__LF | 37.4 | 32.24 | 30 |
| * | 32 | SFW32S-6ST__LF | 38.4 | 33.24 | 31 |



NOTES

1. THIS PRODUCT IS THE CONNECTOR, DESIGNED TO TERMINATE CIC AND COPE WITH AUTOMATIC MOUNTING (SMT).
2. SEE PART DRAWINGS FOR DIMENSIONS A.B.C.
3. PLEASE CONSULT US IN CASE OF USING PARTS WITH * MARK

| | | | | | | |
|-------------|----------|--|------------|-------------------------------|---|---------|
| mat'l. code | | surface 58 / tolerance ISO 1302 ✓ / ISO 406 / ISO 1101 | | projection | product family 58SF | CODE JP |
| ltr | ecn no | dr | date | mm | title CAT. NO. TABLE FOR 1mm SPACING SMT CONNECTOR (CAT.No.SFW__S-6ST__LF) | |
| A | J05-0377 | H.T | 2005-6-22 | | | |
| B | J05-0547 | H.T | 2005-8-30 | scale X | dwg no sheet 1 of 1 size JSA 96521 A4 | |
| C | J06-0430 | H.T | 2006-10-19 | | | |
| D | J07-0407 | H.T | 2007-8-9 | type Product Customer Drawing | | |
| sheet index | | revision sheet 1 | D | | | |



FCIconnect.com

Copyright FCI.

A

A

B

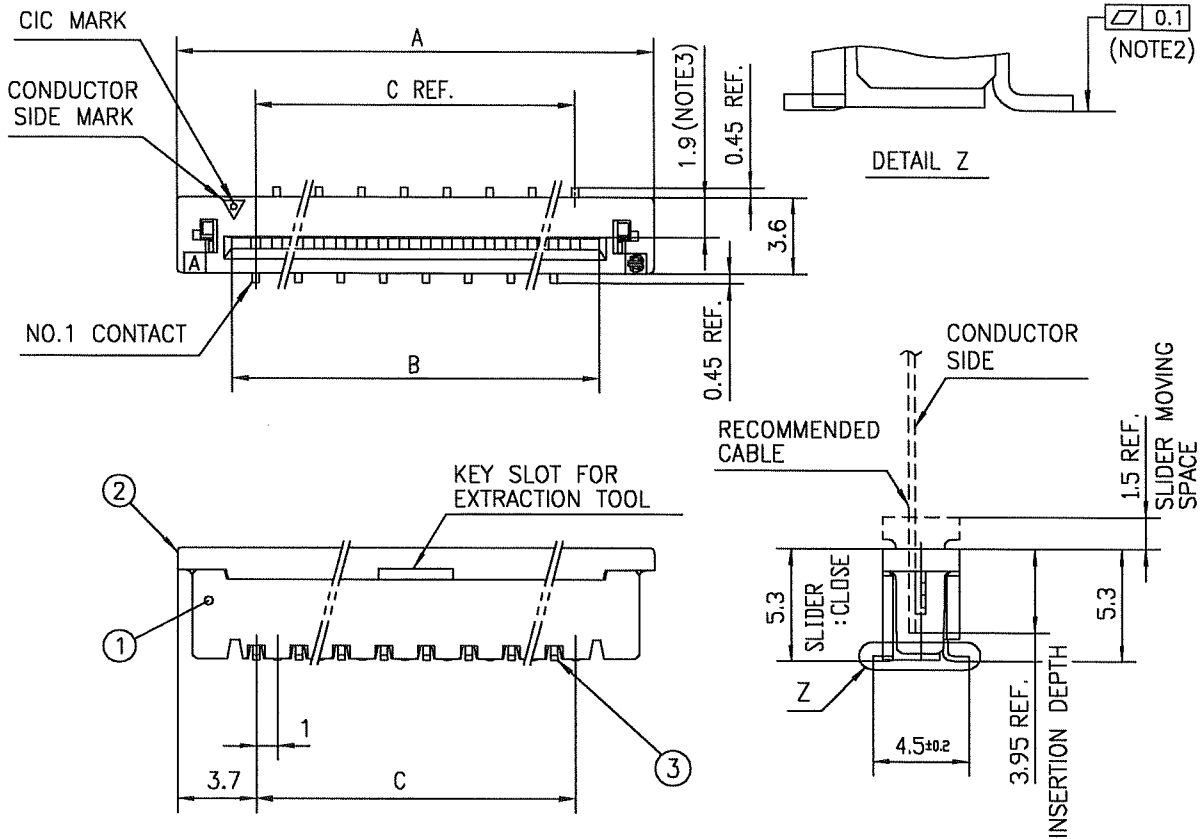
B

C

C

D

D



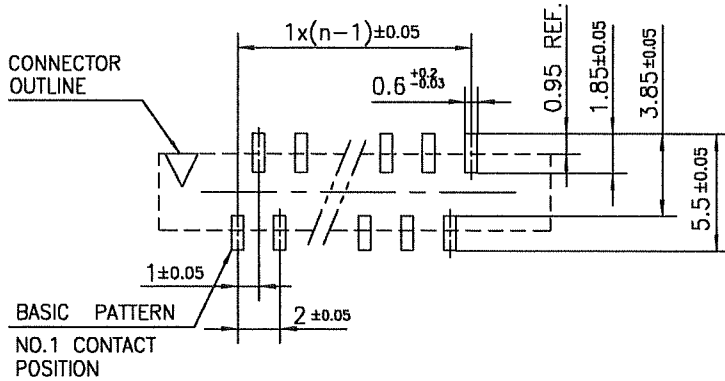
| PT. NO. | PARTS NAME | MATERIAL | Q'TY | NOTE |
|---------|------------|---|------|--|
| 1 | HOUSING | GLASS FILLED THERMOPLASTIC RATED. (UL94V-0) | 1 | COLOR : BROWN |
| 2 | SLIDER | (UL94V-0) | 1 | COLOR : BLACK |
| 3 | CONTACT | PHOSPHOR BRONZE | n | PLATING : TIN Ni UNDER PLATED(LEAD FREE) |

n : NO. OF CONTACTS

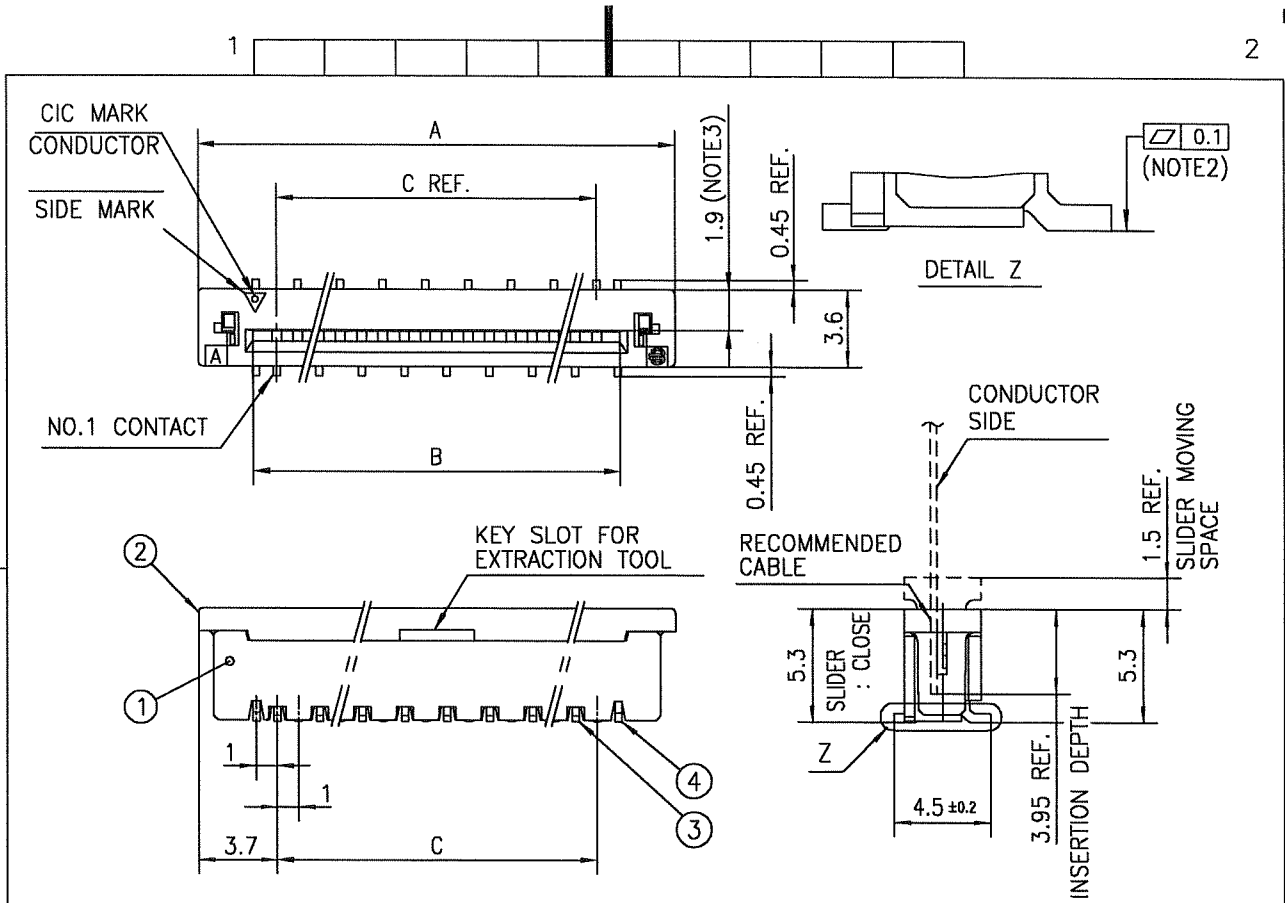
NOTES

1. THIS PRODUCT IS THE CONNECTOR DESIGNED TO TERMINATE CIC AND COPES WITH AUTOMATIC MOUNTING (SMT).
2. FLATNESS OF CONTACT TERMINAL MUST BE WITHIN TOLERANCE IN Z PORTION DETAILED DRAWING.
3. THIS DIMENSION IS SPACE FOR THE NOZZLE OF MOUNTER.
4. THIS PRODUCT MEETS EUROPEAN UNION DIRECTIVES AND OTHER COUNTRY REGULATIONS AS DESCRIBED IN GS-22-008
5. THE HOUSING WILL WITHSTAND EXPOSURE TO 260°C PEAK TEMPERATURE FOR 10 SECONDS IN A REFLOW SOLDERING OVEN.

RECOMMENDED PC BOARD LAYOUT (COMPONENT SIDE)



| | | | | | | | | |
|--------------------|----------|-----|----------|---------------------------------------|--------------------|------------|---|--------------|
| mat'l. code | | | | surface 58 | tolerance ISO 1302 | projection | product family 58SF | CODE JP |
| ltr ecn no dr date | | | | tolerances unless otherwise specified | ISO 406 | mm | title | |
| A | J05-0377 | H.T | 6/22/05 | angles linear | ISO 1101 | | 1mm SPACING SURFACE MOUNT CIC CONNECTOR (CAT.No.SFW__S-6ST__LF) | sheet 1 of 1 |
| B | J05-0731 | H.T | 10/28/05 | | ±0.2 | scale X | size | |
| C | J06-0430 | H.T | 10/19/06 | | | | A4 | sheet 1 of 1 |
| sheet index | | | | dr | engr | chr | type Product Customer Drawing | |
| revision C | | | | appd | FCI | | JSA 96522 | |
| sheet 1 | | | | 10/19/06 | | 10/19/06 | | Rev. C |
| | | | | 10/19/06 | | | | |
| | | | | 10/20/06 | | | | |



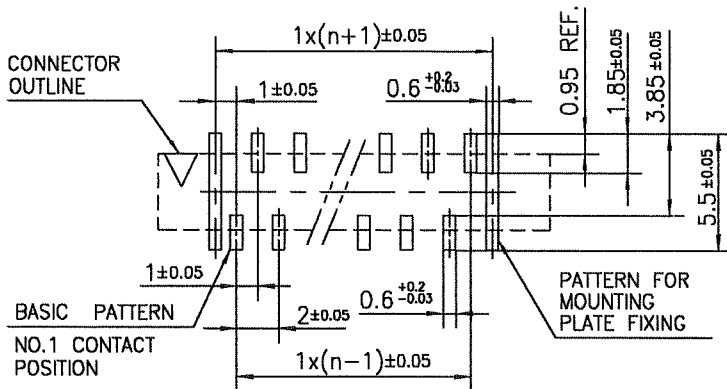
| PT. NO. | PARTS NAME | MATERIAL | Q'TY | NOTE |
|---------|----------------|-----------------------------------|------|--|
| 1 | HOUSING | GLASS FILLED THERMOPLASTIC RATED. | 1 | COLOR : ROWN |
| 2 | SLIDER | (UL94V-0) | 1 | COLOR : BLACK |
| 3 | CONTACT | PHOSPHOR BRONZE | n | PLATING : TIN Ni UNDER PLATED(LEAD FREE) |
| 4 | MOUNTING PLATE | BRASS | 2 | |

n : NO. OF CONTACTS

NOTES

1. THIS PRODUCT IS THE CONNECTOR DESIGNED TO TERMINATE CIC AND COPES WITH AUTOMATIC MOUNTING (SMT).
2. FLATNESS OF CONTACT TERMINAL AND MOUNTING PLATE MUST BE WITHIN TOLERANCE IN Z PORTION DETAILED DRAWING.
3. THIS DIMENSION IS SPACE FOR THE NOZZLE OF MOUNTER.
4. THIS PRODUCT MEETS EUROPEAN UNION DIRECTIVES AND OTHER COUNTRY REGULATIONS AS DESCRIBED IN GS-22-008
5. THE HOUSING WILL WITHSTAND EXPOSURE TO 260°C PEAK TEMPERATURE FOR 10 SECONDS IN A REFLOW SOLDERING OVEN.

RECOMMENDED PC BOARD LAYOUT (COMPONENT SIDE)



| | | | | | | | | | | | | | |
|-------------------------|--|------------|--|---------------------------------------|--|----------------------------------|--|------------------|--|--|--|---------|--|
| mat'l. code | | | | surface 58 ISO 1302 ✓ | | tolerance ISO 406 ISO 1101 | | projection mm | | product family 58SF | | CODE JP | |
| ltr ecn no dr date | | | | tolerances unless otherwise specified | | ±0.2 | | mm | | title 1mm SPACING SURFACE MOUNT CIC CONNECTOR (CAT.No.SFW__S-6STM__LF) | | | |
| A J05-0377 H.T 6/22/05 | | | | angles | | | | scale X | | dwg no sheet 1 of 1 size A4 | | | |
| B J05-0731 H.T 10/28/05 | | | | linear | | | | FCI | | JSA 96523 | | | |
| C J06-0430 H.T 10/19/06 | | | | | | | | | | type Product Customer Drawing | | | |
| sheet index | | revision C | | dr | | 10/19/06 | | | | | | Rev. c | |
| | | sheet 1 | | enrg | | 10/19/06 | | | | | | | |
| | | | | chr | | 10/19/06 | | | | | | | |
| | | | | appd | | 10/20/06 | | | | | | | |

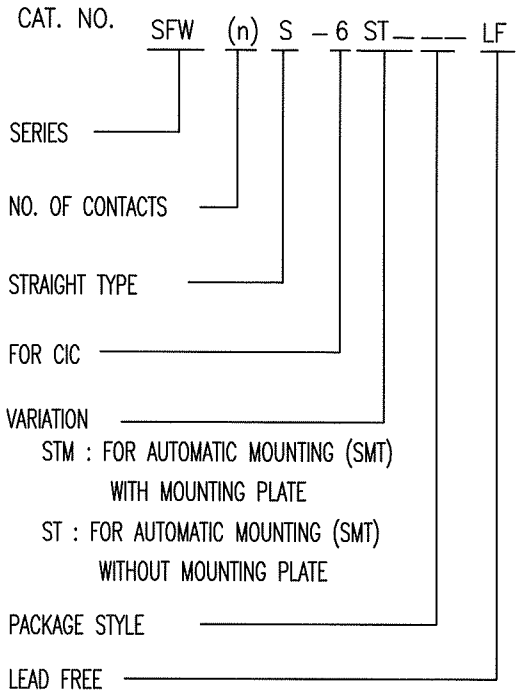


FCIconnect.com

Copyright FCI.

CAT. NO. & DIMENSIONS

| (NOTE4) | NO. OF CONTACTS (n) | CAT. NO. (NOTE2) | DIMENSIONS (NOTE3) | | |
|---------|---------------------|------------------|--------------------|---------|---------|
| | | | D ± 5 | E ± 0.3 | F ± 0.1 |
| | 4 | SFW4S-6ST_E1LF | 28.4 | 24 | — |
| | 5 | SFW5S-6ST_E1LF | 28.4 | 24 | — |
| | 6 | SFW6S-6ST_E1LF | 28.4 | 24 | — |
| * | 7 | SFW7S-6ST_E1LF | 28.4 | 24 | — |
| | 8 | SFW8S-6ST_E1LF | 28.4 | 24 | — |
| * | 9 | SFW9S-6ST_E1LF | 28.4 | 24 | — |
| | 10 | SFW10S-6ST_E1LF | 28.4 | 24 | — |
| | 11 | SFW11S-6ST_E1LF | 28.4 | 24 | — |
| * | 12 | SFW12S-6ST_E1LF | 36.4 | 32 | 28.4 |
| | 13 | SFW13S-6ST_E1LF | 36.4 | 32 | 28.4 |
| | 14 | SFW14S-6ST_E1LF | 36.4 | 32 | 28.4 |
| | 15 | SFW15S-6ST_E1LF | 36.4 | 32 | 28.4 |
| | 16 | SFW16S-6ST_E1LF | 48.4 | 44 | 40.4 |
| | 17 | SFW17S-6ST_E1LF | 48.4 | 44 | 40.4 |
| * | 18 | SFW18S-6ST_E1LF | 48.4 | 44 | 40.4 |
| * | 19 | SFW19S-6ST_E1LF | 48.4 | 44 | 40.4 |
| | 20 | SFW20S-6ST_E1LF | 48.4 | 44 | 40.4 |
| * | 21 | SFW21S-6ST_E1LF | 48.4 | 44 | 40.4 |
| | 22 | SFW22S-6ST_E1LF | 48.4 | 44 | 40.4 |
| | 23 | SFW23S-6ST_E1LF | 48.4 | 44 | 40.4 |
| | 24 | SFW24S-6ST_E1LF | 48.4 | 44 | 40.4 |
| * | 25 | SFW25S-6ST_E1LF | 48.4 | 44 | 40.4 |
| | 26 | SFW26S-6ST_E1LF | 48.4 | 44 | 40.4 |
| * | 27 | SFW27S-6ST_E1LF | 60.4 | 56 | 52.4 |
| | 28 | SFW28S-6ST_E1LF | 60.4 | 56 | 52.4 |
| | 29 | SFW29S-6ST_E1LF | 60.4 | 56 | 52.4 |
| | 30 | SFW30S-6ST_E1LF | 60.4 | 56 | 52.4 |
| * | 31 | SFW31S-6ST_E1LF | 60.4 | 56 | 52.4 |
| * | 32 | SFW32S-6ST_E1LF | 60.4 | 56 | 52.4 |



NOTES

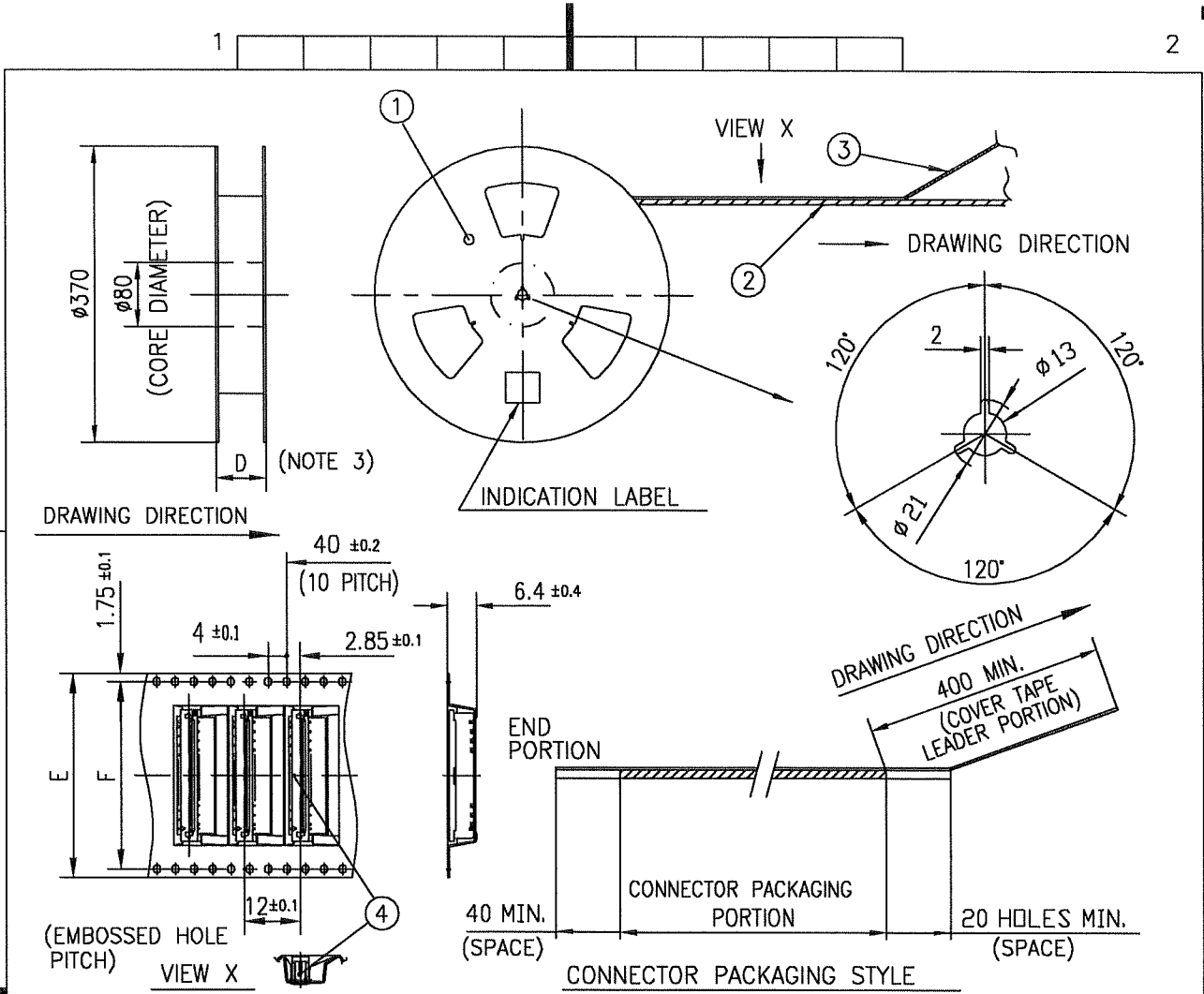
1. THIS PRODUCT IS THE CONNECTOR DESIGNED TO TERMINATE CIC AND COPE WITH AUTOMATIC MOUNTING (SMT).
2. THIS CATALOG NO. INDICATES PLASTIC TAPE PACKAGED CONNECTOR.
3. SEE PART DRAWINGS FOR DIMENSIONS D~F.
4. PLEASE CONSULT US IN CASE OF USING PARTS WITH * MARK.



FCIconnect.com

Copyright FCI.

| | | | | | | | | | | | |
|---------------------|----------|----------------|------------|--|--|------------|--|---|--|---------|--|
| mat'l. code | | | | surface 58 / tolerance ISO 1302 / ISO 406 / ISO 1101 | | projection | | product family 58SF | | CODE JP | |
| litr ecn no dr date | | | | tolerances unless otherwise specified | | mm | | title | | | |
| A | J05-0377 | H.T | 2005-6-22 | angles linear | | mm | | CAT. NO. TABLE FOR PLASTIC TAPE PACKAGED 1mm SPACING SMT CONN. (CAT.No.SFW__S-6ST_E1LF) | | | |
| B | J05-0547 | H.T | 2005-8-30 | | | scale X | | dwg no sheet 1 of 1 size | | | |
| C | J06-0430 | H.T | 2006-10-19 | | | FCI | | JSA 96524 A4 | | | |
| D | J07-0407 | H.T | 2007-8-9 | dr engr chr appd | | | | type Product Customer Drawing | | | |
| sheet index | | revision sheet | | D 1 | | | | | | Rev. D | |



| PT. NO. | PARTS NAME | CAT. NO. | MATERIAL | Q'TY | NOTE |
|---------|-----------------------|----------------|-------------------|-------|--------------------|
| 1 | REEL | _____ | CARDBOARD | 1 | COLOR:GRAY |
| 2 | PLASTIC (EMBOSS) TAPE | _____ | PET | _____ | COLOR:TRANSPARENCY |
| 3 | COVER | _____ | POLYESTER | _____ | COLOR:TRANSPARENCY |
| 4 | CONNECTOR | SFW__S-6ST__LF | SEE ATTACHED DWG. | 1000 | _____ |

- NOTES
1. THIS IS PLASTIC TAPE PACKAGED CONNECTOR USED FOR CIC AND COPES WITH AUTOMATIC MOUNTING (SMT).
 2. SEE JIS C 0806 (PACKING OF ELECTRONIC COMPONENTS ON CONTINUOUS TAPES (SURFACE MOUNTING DEVICES)) FOR SHAPE AND DIMENSIONS OF PLASTIC (EMBOSS) TAPE AND REEL.
 3. D DIMENSION IS PORTION OF THE CORE.

| | | | | | | | | |
|-------------|----------------|-----|----------|---------------------------------------|----------------------------------|----------------|---|------------|
| mat'l. code | | | | surface 58 ISO 1302 | tolerance ISO 406 ISO 1101 | projection | product family 58SF | CODE JP |
| ltr | ecn no | dr | date | tolerances unless otherwise specified | | mm | title PLASTIC TAPE PACKAGED 1mm SPACING SMT CONNECTOR (CAT.No.SFW__S-6ST_E1LF) | |
| A | J05-0377 | H.T | 6/22/05 | angles | ±5 | | | |
| B | J06-0430 | H.T | 10/19/06 | linear | ±5' | scale X | dwg no sheet 1 of 1 size | |
| | | | | dr | <i>H. Shoupe</i> | | JSA 96525 | |
| | | | | enr | <i>H. Shoupe</i> | | A4 | |
| | | | | chr | <i>R. Shoupe</i> | | type Product Customer Drawing | |
| | | | | appd | <i>S. Shoupe</i> | | | |
| sheet index | revision sheet | B | 1 | | | | | Rev. B |



Copyright FCI.

FCIconnect.com

