

NOTE:

- 1.MATERIALS : REFER TO TABLE2;
- 2.PACKAGING SPEC: REFER TO PK OF 2165891000;
- 3.PRODUCT SPEC: REFER TO PS OF 2165891000;
- 4.APPLICATION SPEC: REFER TO AS OF 2165891000.

REV	CHANGE HISTORY	DATE
A	FIRST RELEASE	20200826
B	UPDATE VHB TYPE	20200917
C	ADD TWO ADDITIONAL VHB'S IN PACKAGING BAG FOR CONFIG1	20210422

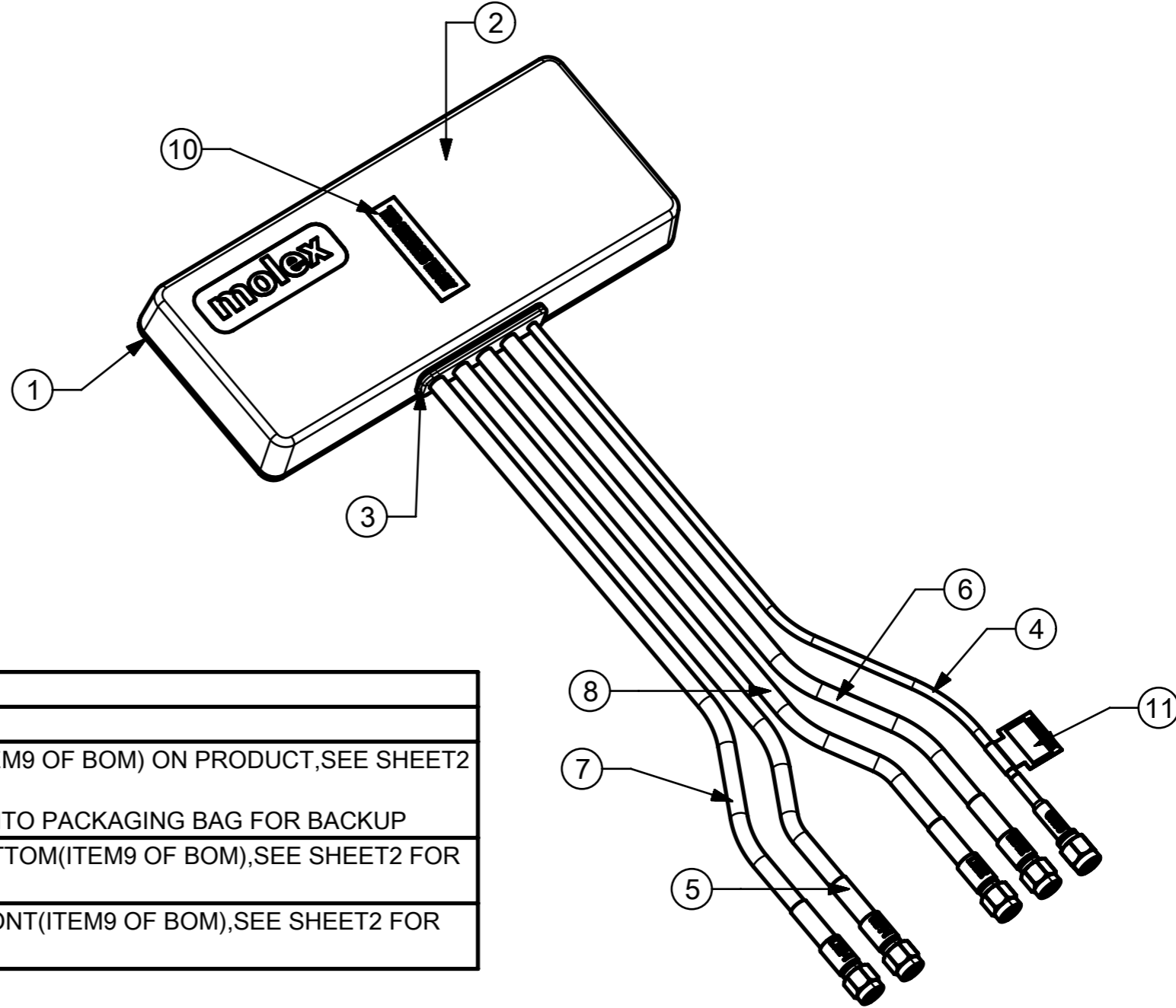


TABLE1

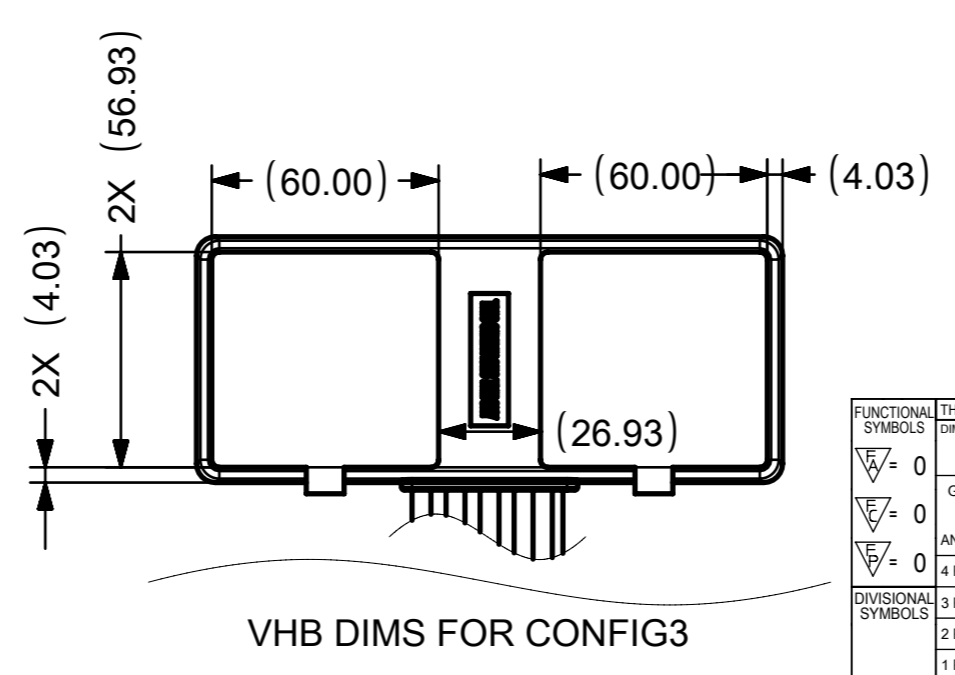
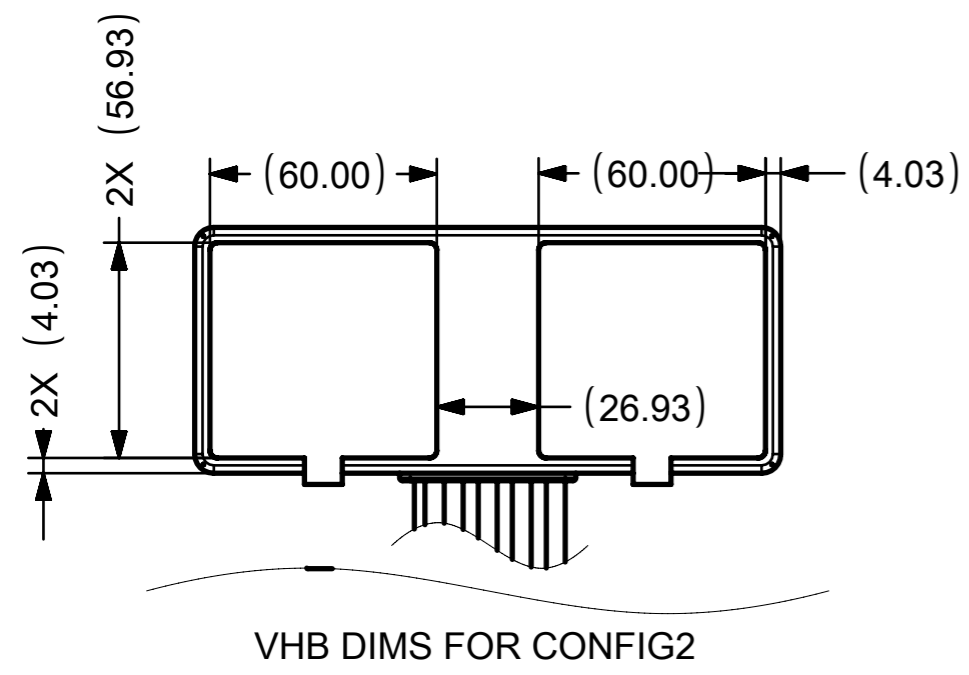
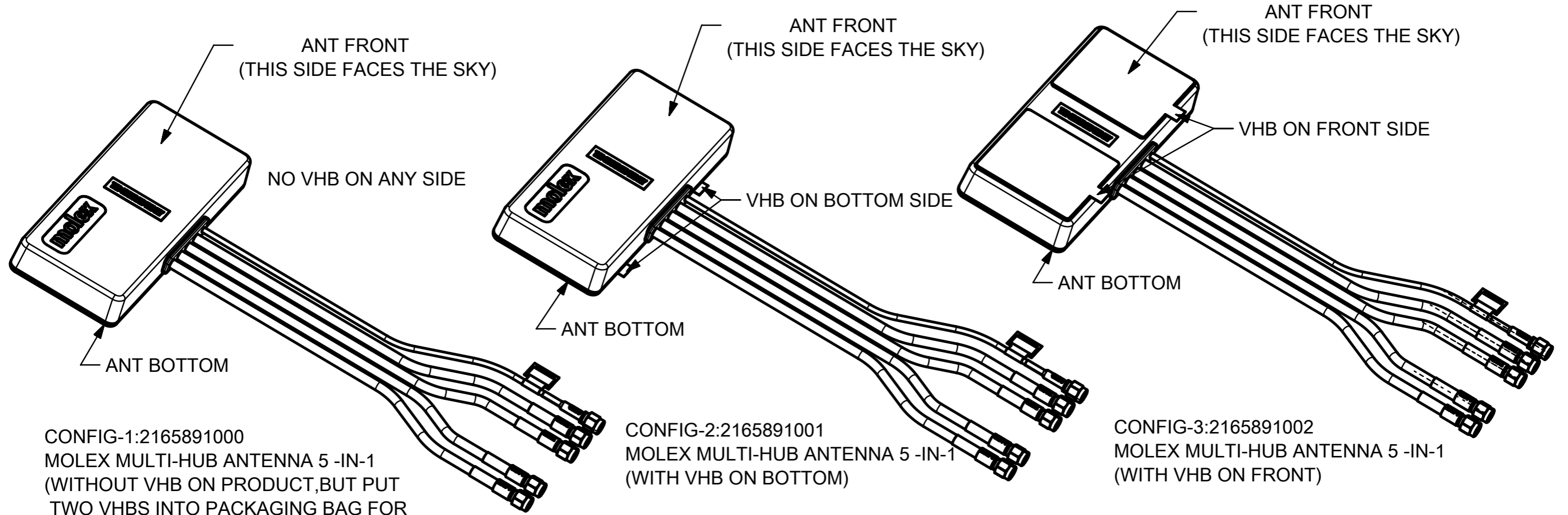
FINISH GOODS PN FOR DIFFERENT CONFIGS			
CONFIGS	PN	DESCRIPTION	NOTES
CONFIG-1	2165891000	MOLEX MULTI-HUB ANTENNA 5 -IN-1(WITHOUT VHB)	WITHOUT ANT VHB(ITEM9 OF BOM) ON PRODUCT,SEE SHEET2 FOR DETAIL, BUT PUT TWO VHB'S INTO PACKAGING BAG FOR BACKUP
CONFIG-2	2165891001	MOLEX MULTI-HUB ANTENNA 5 -IN-1(WITH VHB ON BOTTOM)	WITH ANT VHB ON BOTTOM(ITEM9 OF BOM),SEE SHEET2 FOR DETAIL
CONFIG-3	2165891002	MOLEX MULTI-HUB ANTENNA 5 -IN-1(WITH VHB ON FRONT)	WITH ANT VHB ON FRONT(ITEM9 OF BOM),SEE SHEET2 FOR DETAIL

TABLE2

ITEM	DESCRIPTION	MATERIAL	QTY
1	TOP COVER	PC/ABS ,BLACK	1
2	BOTTOM HOUSING	PC/ABS ,BLACK	1
3	SIDE CAP FOR 5 IN 1	SILICONE ,BLACK	1
4	5 IN 1 CABLE ASSY FOR GNSS	RG174 CABLE,SMA(M) ST,TUBE-BLACK,TEXT-WHITE	1
5	5 IN 1 CABLE ASSY FOR WIFI1	LMR200 CABLE,SMA(M) ST, TUBE-BLACK,TEXT-WHITE	1
6	5 IN 1 CABLE ASSY FOR WIFI2	LMR200 CABLE,SMA(M) ST, TUBE-BLACK,TEXT-WHITE	1
7	5 IN 1 CABLE ASSY FOR 5G/LTE1	LMR200 CABLE,SMA(M) ST, TUBE-BLACK,TEXT-WHITE	1
8	5 IN 1 CABLE ASSY FOR 5G/LTE2	LMR200 CABLE,SMA(M) ST, TUBE-BLACK,TEXT-WHITE	1
(9)	VHB FOR ANT(OPTIONAL,SEE SHEET2)	VHB,1.2MM	2
10	GNSS DIRECTIONAL LABEL	PAPER	1
11	ANT TRACKER LABEL	PAPER	1

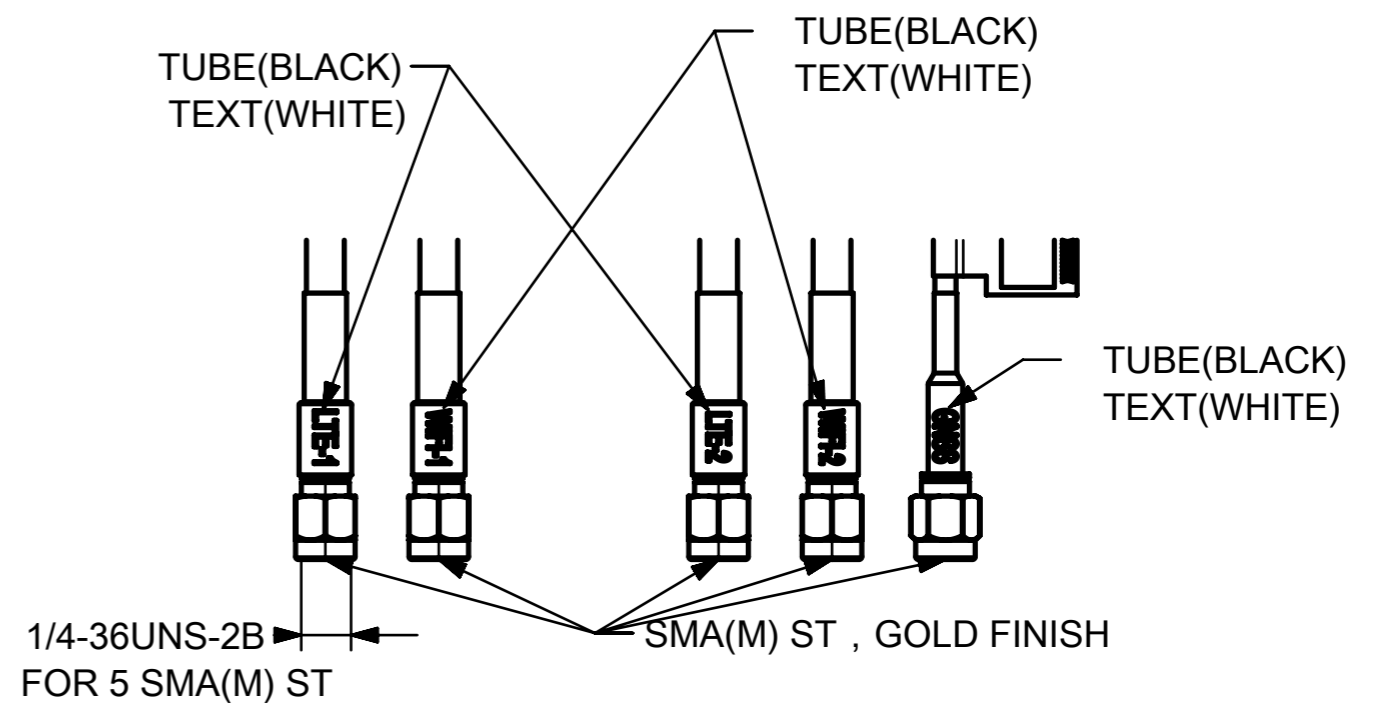
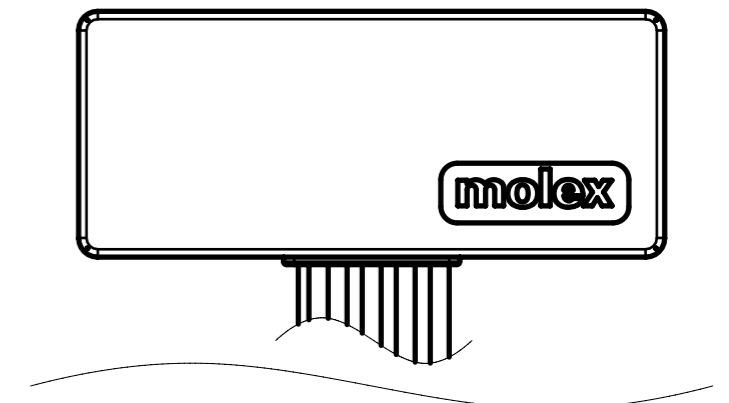
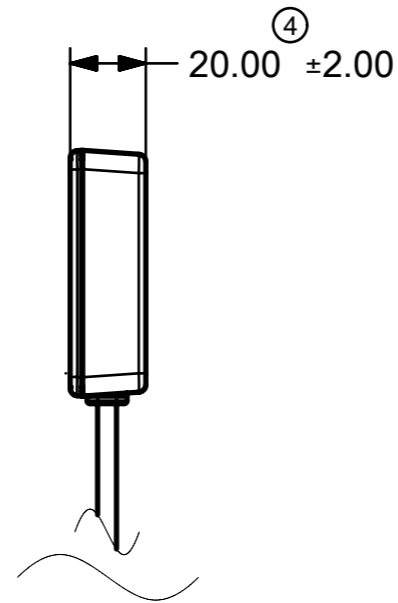
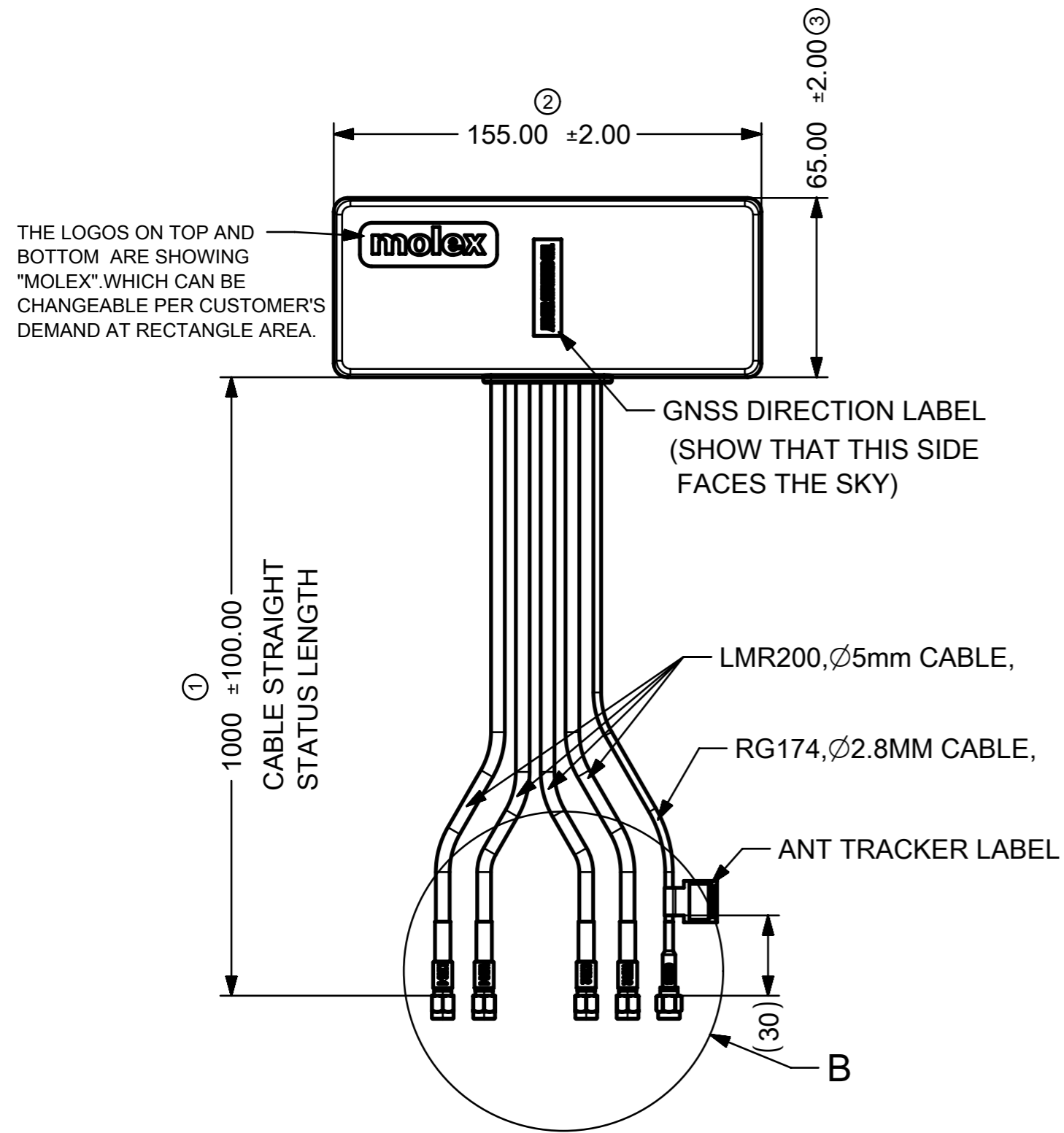
SYMBOLS DIMENSION UNITS: mm SCALE: 1:1 GENERAL TOLERANCES (UNLESS SPECIFIED): ANGULAR TOL: ± 0° 4 PLACES: ± 0.1 3 PLACES: ± 0.2 2 PLACES: ± 0.3 1 PLACE: ± 0.4 0 PLACES: ± 0.5 DRAFT WHERE APPLICABLE MUST REMAIN WITHIN DIMENSIONS THIRD ANGLE PROJECTION	THIS DRAWING CONTAINS INFORMATION THAT IS PROPRIETARY TO MOLEX ELECTRONIC TECHNOLOGIES, LLC AND SHOULD NOT BE USED WITHOUT WRITTEN PERMISSION.		CURRENT REV DESC: EC NO: 661698 DRWN: CZHOU05 2021/04/22 CHK'D: HORACM1 2021/04/23 APPR: HORACM1 2021/04/23		<p>MOLEX MULTI-HUB ANTENNA 5-IN-1</p> <p>PRODUCT CUSTOMER DRAWING</p>
	INITIAL REVISION: DRWN: CZHOU05 2020/08/31 APPR: XJSONG 2020/08/31		DOCUMENT NUMBER: 2165891000	DOC TYPE: PSD DOC PART: 000 REVISION: C	
	DRAFT WHERE APPLICABLE MUST REMAIN WITHIN DIMENSIONS		MATERIAL NUMBER: SEE TABLE	CUSTOMER:	
	A3-SIZE		SERIES: 216589	SHEET NUMBER: 1 OF 3	

CUSTOMER CAN CHOOSE CONFIG1,2 OR 3 PER THEIR MOUNTING LOCATION



FUNCTIONAL SYMBOLS	THIS DRAWING CONTAINS INFORMATION THAT IS PROPRIETARY TO MOLEX ELECTRONIC TECHNOLOGIES, LLC AND SHOULD NOT BE USED WITHOUT WRITTEN PERMISSION		CURRENT REV DESC:		molex
	MM	SCALE			
DIVISIONAL SYMBOLS	GENERAL TOLERANCES (UNLESS SPECIFIED)		EC NO: 661698		MOLEX MULTI-HUB ANTENNA 5-IN-1
	ANGULAR TOL	± °	DRWN: CZHOU05	2021/04/22	
	4 PLACES	±	CHK'D: HORACM1	2021/04/23	
	3 PLACES	±	APPR: HORACM1	2021/04/23	
	2 PLACES	±	INITIAL REVISION:		
	1 PLACE	±	DRWN: CZHOU05	2020/08/31	
0 PLACES	±	APPR: XJSONG	2020/08/31		
DRAFT WHERE APPLICABLE MUST REMAIN WITHIN DIMENSIONS		THIRD ANGLE PROJECTION	DRAWING	SERIES	DOCUMENT NUMBER
			A3-SIZE	216589	2165891000
				MATERIAL NUMBER	CUSTOMER
					SHEET NUMBER
					2 OF 3

ANT FINISH GOODS WITHOUT VHB



DETAIL B
SCALE 1:1

ANT TRACKER LABEL QR CODE CONTENT DEFINITION

XXXXXXXXXXCCCCCYMMDD	MEANS	EXAMPLE
XXXXXXXXXX	MOLEX PN	2165891000, OR 2165891001, OR 2165891002
CCCCC	SERIAL NO.	00000-99999
YY	DATE FOR YEAR	18=2018
MMDD	MONTH AND DAY	0301=THE FIRST DAY OF MARCH

FUNCTIONAL SYMBOLS	THIS DRAWING CONTAINS INFORMATION THAT IS PROPRIETARY TO MOLEX ELECTRONIC TECHNOLOGIES, LLC AND SHOULD NOT BE USED WITHOUT WRITTEN PERMISSION		CURRENT REV DESC:		molex
△/A = 0	mm	SCALE	EC NO: 661698		
△/E = 0	GENERAL TOLERANCES (UNLESS SPECIFIED)		DRWN: CZHOU05		MOLEX MULTI-HUB ANTENNA 5-IN-1
△/V = 0	ANGULAR TOL ± °		2021/04/22		PRODUCT CUSTOMER DRAWING
DIVISIONAL SYMBOLS	4 PLACES ±		CHK'D: HORACM1		
	3 PLACES ±		APPR: HORACM1		DOCUMENT NUMBER
	2 PLACES ±		INITIAL REVISION:		DOC TYPE
	1 PLACE ±		DRWN: CZHOU05		DOC PART
	0 PLACES ±		APPR: XJSONG		REVISION
DRAFT WHERE APPLICABLE MUST REMAIN WITHIN DIMENSIONS		THIRD ANGLE PROJECTION	DRAWING	SERIES	MATERIAL NUMBER
			A3-SIZE	216589	CUSTOMER
					SHEET NUMBER
					3 OF 3