

YIC



GPS & GLONASS & BeiDou Internal Active Antenna ATIGGB1840

Datasheet

www.yic.com.tw

1. Product Information

1.1 Product Description

This product can be used as various GPS & GLONASS & BeiDou receivers navigation, GPS & GLONASS & BeiDou clock, positioning.

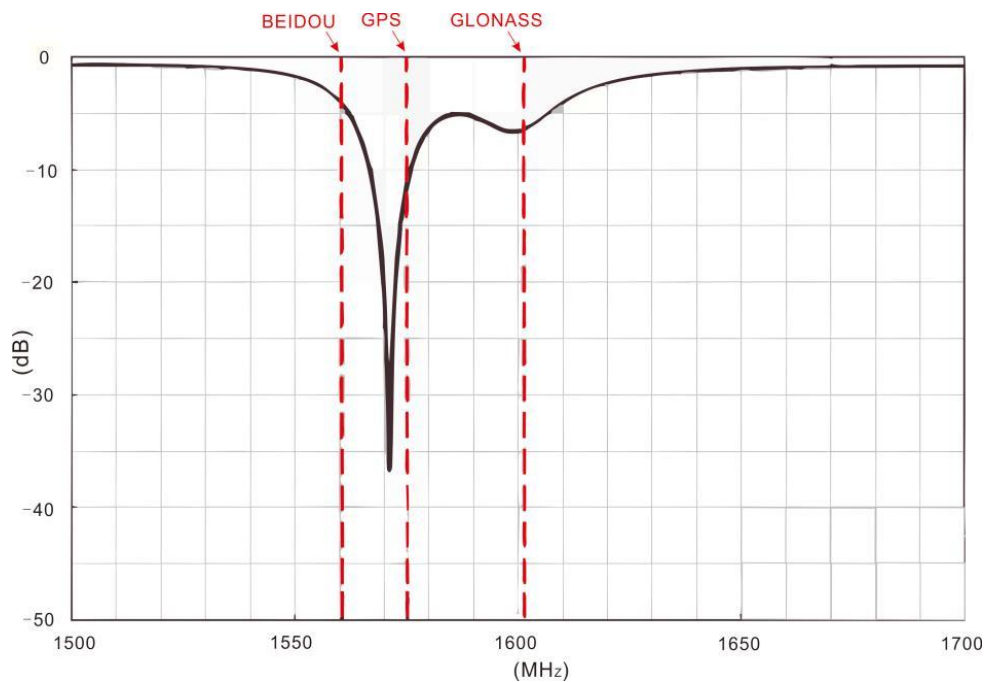
2. Part NO. : ATIGGB1840

3. Overall Performance (Antenna Element, LNA & Cable)

CHARACTERISTICS	SPEC
Center Frequency	GPS: $1575.42 \pm 1.023\text{MHz}$ Galileo: $1575.42 \pm 4\text{MHz}$ GLONASS: $1602 \pm 5\text{MHz}$ BeiDou: $1561.098 \pm 2.046\text{MHz}$. (When the antenna are placed on the customer's device inside)
Voltage	DC 2.6~5.0V
Current	10mA max
Gain	28dB typ
Noise Figure	2.0dB max
Output VSWR	2.0 max
Output Impedance	50ohm
Dimensions	18mm(L)×18mm(W)×7mm(H) typ
Weight	7±2g (typ)
Cable	60±2mm ($\Phi=1.13\text{mm}$)
Connector	IPEX (Pull=0.4Kg)

4. Patch antenna

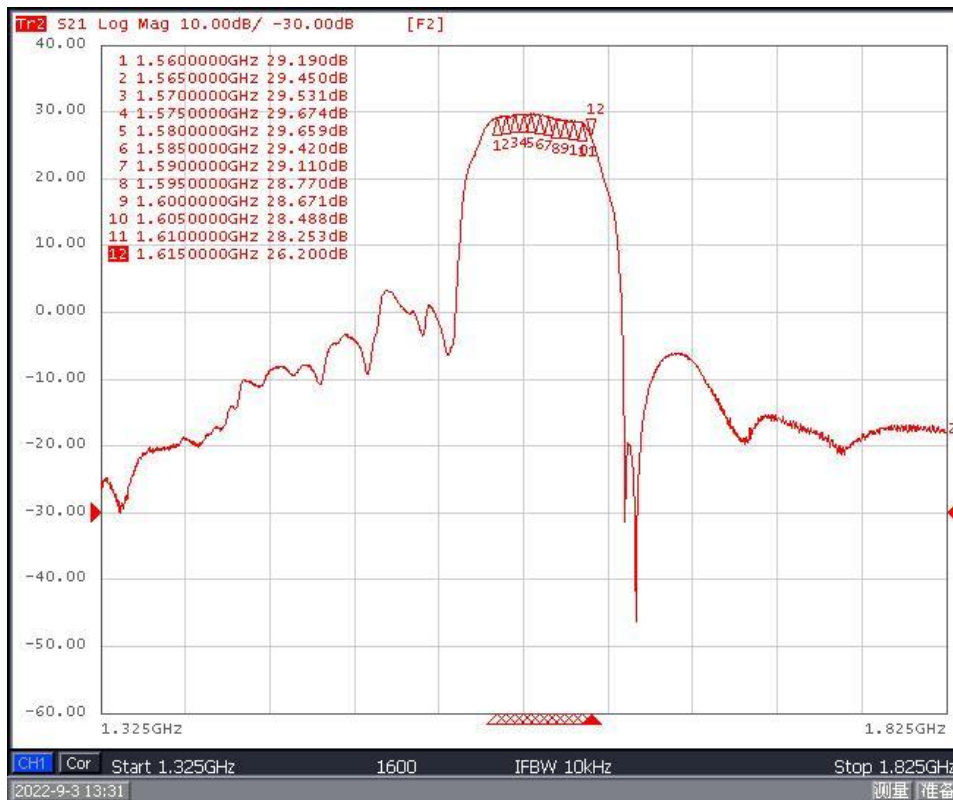
CHARACTERISTICS	SPEC
Dimensions	18mm(L)×18mm(W)×4mm(H) typ
Center Frequency	GPS: 1575.42 ± 1.023MHz Galileo: 1575.42 ± 4MHz GLONASS: 1602 ± 5MHz BeiDou: 1561.098 ± 2.046MHz. (70mm(L)×70mm(W) Ground)
Peak Gain	2dB typ
Output V.S.W.R	2.0dB max
Output Impedance	50ohm
Polarization	R.H.C.P



Patch Return Loss

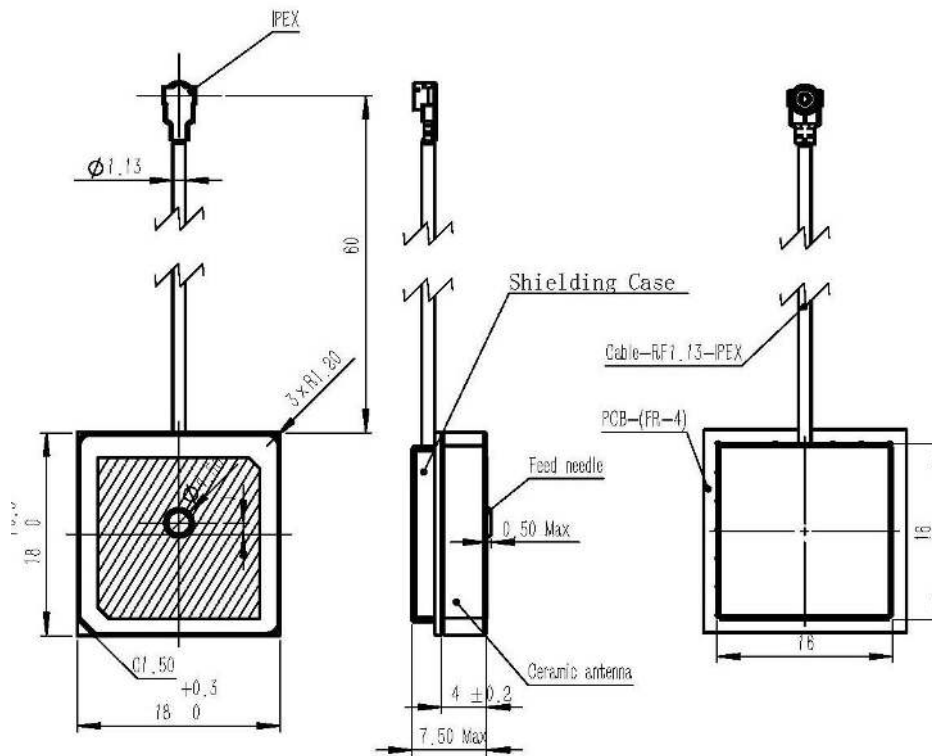
5. LNA/Filter

CHARACTERISTICS	SPEC
Voltage	DC 2.6~5.5V
Current	10mA max
Center Frequency	GPS: 1575.42 ± 1.023MHz Galileo: 1575.42 ± 4MHz GLONASS: 1602 ± 5MHz BD: 1561.098 ± 2.046MHz
Gain	28±2dB typ
Noise Figure	1.5dB max
Filter(Out of band attenuation)	SAW filter 30dB min fo±60MHz (fo=1590MHz)
Output V.S.W.R	2.0 max



LNA Gain

6. Antenna Dimensions



7. Operating Condition

Temperature	-40°C to +85°C
Humidity	10% to 95% RH

8. Storage Condition

Temperature	-40°C to +85°C
Humidity	10% to 95% RH

9. Note

- 1、 This product specification guarantees the quality of our product as a single unit. Please make sure that your product is evaluated and confirmed against your specifications when our product is mounted to your product.
- 2、 We cannot warrant against failure caused by any use of our product that deviates from the intended use as described in this product specification.
- 3、 The product will get free warranty for three months since the date of purchase users operate in the correct way; users will have to pay cost of the materials and maintaining fee out of the condition.
- 4、 Electrostatic sensitive device Observe precautions for handling.