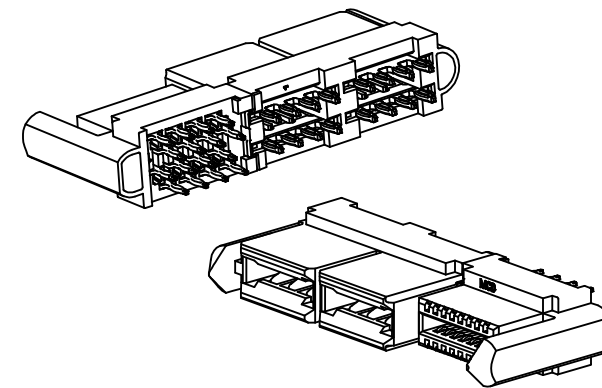
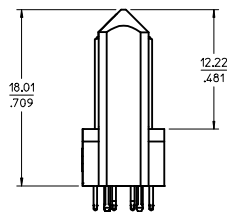
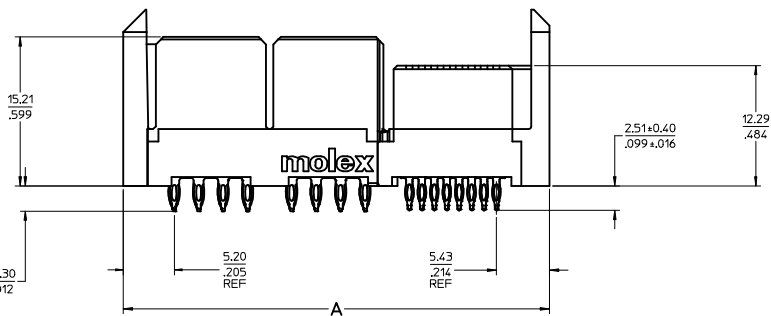
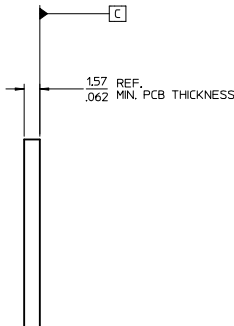
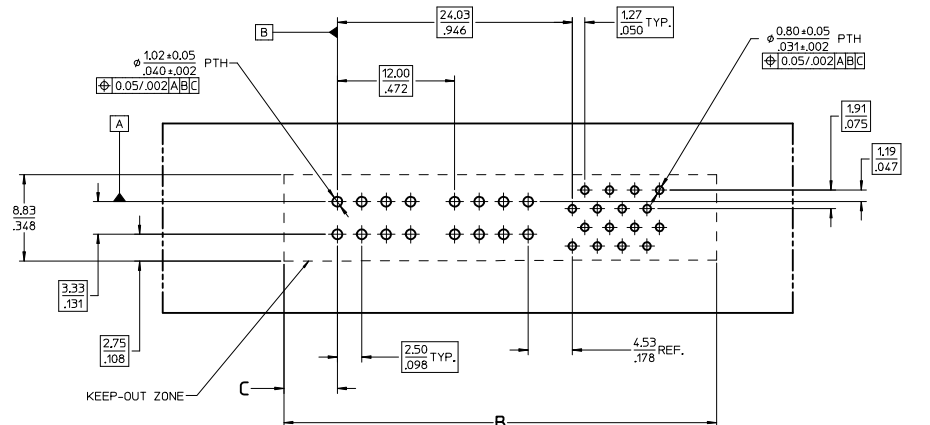


NO OF SIGNALS	MATERIAL NUMBER	COMPLIANT PIN PLATING	DIM A	DIM B	DIM C
12	46114-4120	TIN	41.01/1.615	41.51/1.634	5.45/2.15
16	46114-4160	TIN	43.55/1.715	44.05/1.734	
20	46114-4200	TIN	46.09/1.815	46.59/1.834	
24	46114-4240	TIN	48.63/1.915	49.13/1.934	
28	46114-4280	TIN	51.17/2.015	51.67/2.004	
32	46114-4320	TIN	53.71/2.115	54.21/2.134	
36	46114-4360	TIN	56.25/2.215	56.75/2.234	
40	46114-4400	TIN	58.79/2.315	59.29/2.334	



MATERIAL # 46114-4160 SHOWN

- NOTES:
1. MATERIAL: HOUSING: LCP, 94-VO, COLOR: BLACK.
POWER CONTACTS: COPPER ALLOY.
SIGNAL CONTACTS: MODIFIED TIN BRASS.
 2. FINISH: SELECT GOLD - 0.75 μM/30 μ INCHES
SELECTED TIN - 2.50 μM/100 μ INCHES
BOTH OVER NICKEL - 1.25 μM/50 μ INCHES
 3. POWER TERMINALS ARE LUBRICATED IN CONTACT AREA.
 4. PARTS ARE RHIS COMPLIANT.
 5. MATES TO MOLEX P/N 45985-SERIES OR CARD EDGE 1571.062.
 6. PRODUCT SPECIFICATION PS-46114-001.
 7. PACKAGING: PER PK-46114-003.

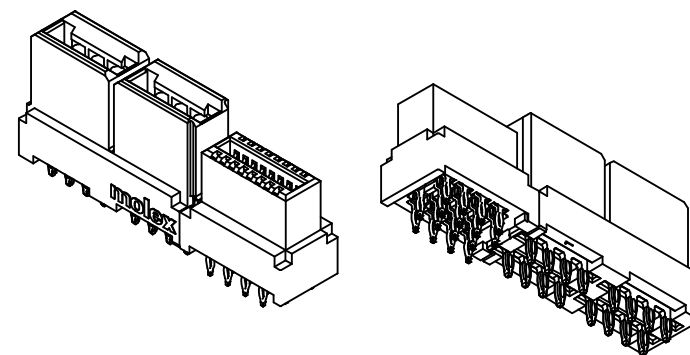
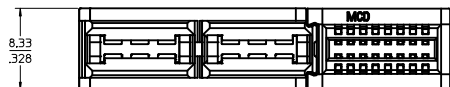


PCB COMPONENT SIDE
SCALE 4:1

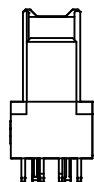
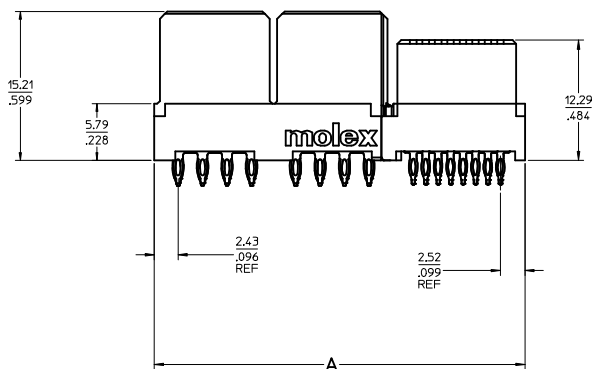
QUALITY SYMBOLS	GENERAL TOLERANCES (UNLESS SPECIFIED)		DIMENSION STYLE		SCALE	DESIGN UNITS	THIRD ANGLE PROJECTION
	mm	INCH	MM/IN	DATE			
▽=0	4 PLACES ±---	±---	DRAWN BY	DATE	4:1	METRIC	LPH VERTICAL RECEPTACLE ASSEMBLY 4 CIRCUIT PWR CONNECTOR, PRESS FIT
▽=0	3 PLACES ±---	±.010	MKARADIMAS	07/18/07			
▽=0	2 PLACES ±0.25	±---	CHECKED BY	DATE	moLEX		
▽=0	1 PLACE ±---	±---	APATEL	07/20/07			
▽=0	0 PLACE ±	±	APPROVED BY	DATE	DOCUMENT NO.		SHEET NO.
ANGULAR ±1/2°			JCOMERCI	2009/12/03	SD-46114-400		1 OF 3
DRAFT WHERE APPLICABLE MUST REMAIN WITHIN DIMENSIONS			SEE CHART		THIS DRAWING CONTAINS INFORMATION THAT IS PROPRIETARY TO MOLEX INCORPORATED AND SHOULD NOT BE USED WITHOUT WRITTEN PERMISSION		

20 19 18 17 16 15 14 13 12 11 10 9 8 7 6 5 4 3 2 1

NO OF SIGNALS	MATERIAL NUMBER	COMPLIANT PIN PLATING	DIM A	DIM B	DIM C
12	46114-4121	TIN	35.34/1.391	35.84/1.411	2.691/106
16	46114-4161	TIN	37.88/1.491	38.38/1.511	
20	46114-4201	TIN	40.42/1.591	40.92/1.611	
24	46114-4241	TIN	42.96/1.691	43.46/1.711	
28	46114-4281	TIN	45.50/1.791	46.00/1.811	
32	46114-4321	TIN	48.04/1.891	48.54/1.911	
36	46114-4361	TIN	50.58/1.991	51.08/2.011	
40	46114-4401	TIN	53.12/2.091	53.62/2.111	



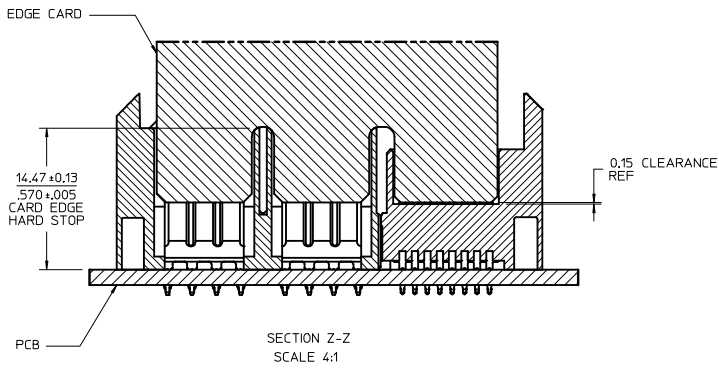
MATERIAL # 46114-4161 SHOWN



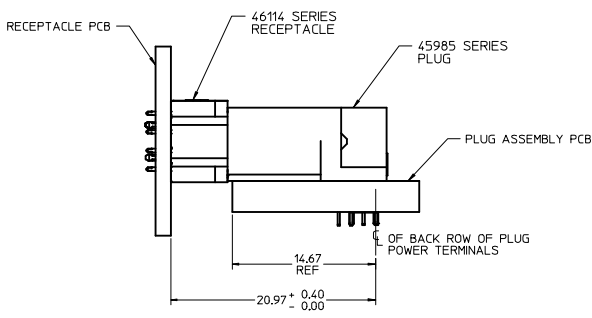
SEE SHEET 1 ELEC NO: S2017-0362 DRAWN BY: DRWNLIN06 CHKD: JZENG APPR: KHLIN 2016/12/15 2016/12/21 2016/12/21	QUALITY SYMBOLS	GENERAL TOLERANCES (UNLESS SPECIFIED)	DIMENSION STYLE	SCALE	DESIGN UNITS	THIRD ANGLE PROJECTION
	▽=0	mm INCH	MM/IN	4:1	METRIC	
	▽=0	4 PLACES ±.010				
	▽=0	3 PLACES ±.025				
		ANGULAR ±1/2°				
		DRAFT WHERE APPLICABLE MUST REMAIN WITHIN DIMENSIONS				
			MATERIAL NO. SEE CHART		DOCUMENT NO. SD-46114-400	SHEET NO. 2 OF 3
			THIS DRAWING CONTAINS INFORMATION THAT IS PROPRIETARY TO MOLEX INCORPORATED AND SHOULD NOT BE USED WITHOUT WRITTEN PERMISSION			

19 18 17 16 15 14 13 12 11 10 9 8 7 6 5 4 3 2 1

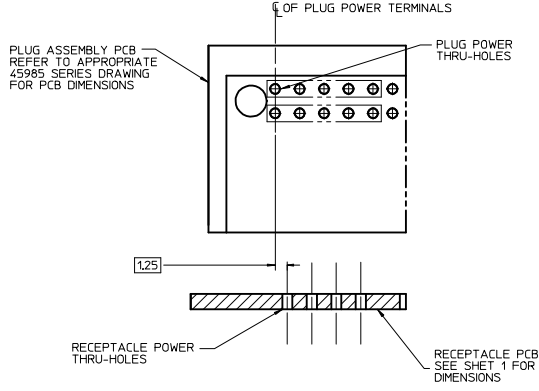
NO OF SIGNAL	DIM. D
12	8.00/315
16	10.54/415
20	13.08/515
24	15.62/615
28	18.16/715
32	20.70/815
36	23.24/915
40	25.78/1015



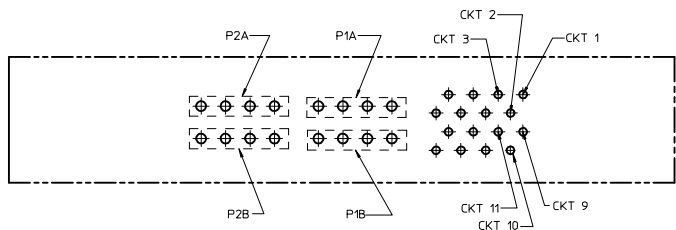
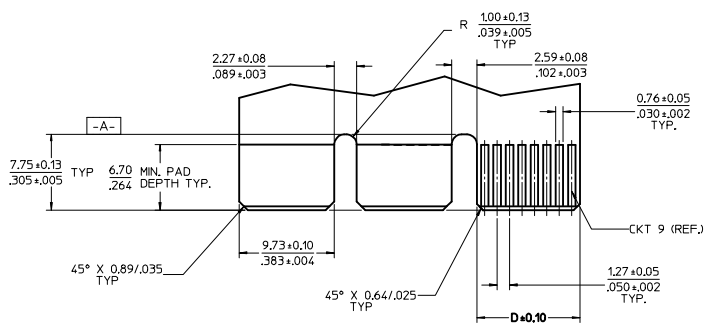
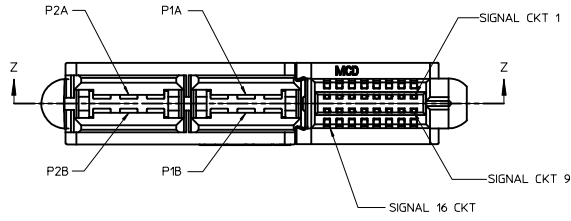
CARD EDGE MATING



PLUG ASSEMBLY MATING



ASSEMBLY PCB ALIGNMENT



RECOMMENDED EDGE CARD LAYOUT
 EDGE CARD THICKNESS: 1.57/0.62 ± 0.15/0.06
 PLATING: GOLD 30 μ INCHES MIN.
 OVER 150 μ INCHES NICKEL.

PCB LAYOUT: COMPONENT SIDE
 SEE SHT 1 FOR DIMENSIONS

SEE SHEET 1 ELEC NO: SZ017-0362 DRAWN BY: CHD/JZNG CHECKED BY: APPROX/KLM DATE: 2016/12/15 DATE: 2016/12/21 DATE: 2016/12/21	QUALITY SYMBOLS ∇=0 ∇=0 ∇=0	GENERAL TOLERANCES (UNLESS SPECIFIED) DIMENSION STYLE: MM/INCH SCALE: 4:1 DESIGN UNITS: METRIC THIRD ANGLE PROJECTION	DRAWN BY: MKARADIMAS CHECKED BY: APATEL APPROVED BY: JCOMERCI DATE: 07/18/07 DATE: 07/20/07 DATE: 2009/12/03	TITLE: LPH VERTICAL RECEPTACLE ASSEMBLY 4 CIRCUIT PWR CONNECTOR, PRESS FIT MATERIAL NO: SD-46114-400 DOCUMENT NO: SD-46114-400	SHEET NO: 3 OF 3
	ANGULAR ±1/2° DRAFT WHERE APPLICABLE MUST REMAIN WITHIN DIMENSIONS	SEE CHART	THIS DRAWING CONTAINS INFORMATION THAT IS PROPRIETARY TO MOLEX INCORPORATED AND SHOULD NOT BE USED WITHOUT WRITTEN PERMISSION		