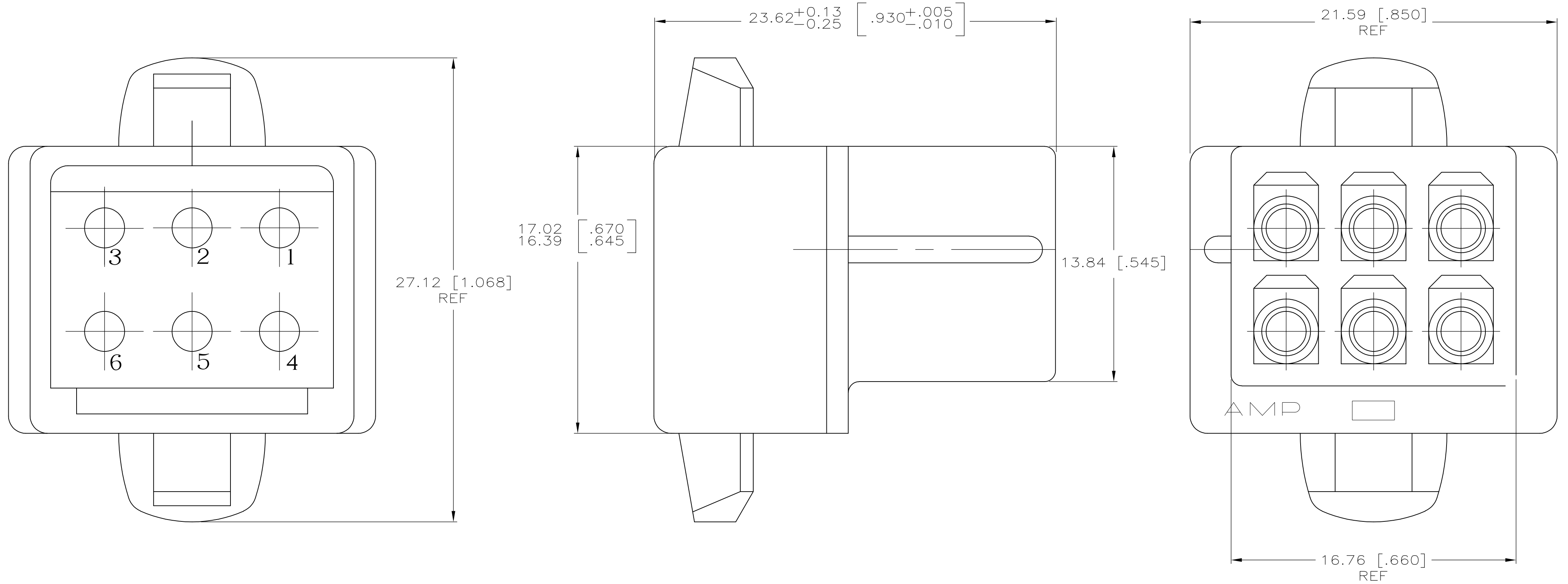


THIS DRAWING IS UNPUBLISHED. RELEASED FOR PUBLICATION
 © COPYRIGHT - By - ALL RIGHTS RESERVED.

| LOC | DIST | REVISIONS | | | |
|-----|------|-------------|---------------------------|---------|-------|
| P | LTR | DESCRIPTION | DATE | DWN | APVD |
| CM | 00 | W2 | REVISED PER ECR-15-003268 | 28FEB15 | SC KD |

1. TO BE USED WITH MATE-N-LOK PINS.
 2. TO BE USED WITH PLUG 480273.
- △ 3 FOREIGN PRODUCTION ONLY.



| | | |
|-----|---------|------------|
| △ 3 | YELLOW | 1-480276-4 |
| | NATURAL | 1-480276-0 |
| | COLOR | PART NO. |

| | | | | |
|--|--|---------------------------|-------------------------------|-----------------|
| THIS DRAWING IS A CONTROLLED DOCUMENT. | | DWN S. HOOVER 25-MAR-2004 | STE TE Connectivity | |
| DIMENSIONS: mm [INCHES] | | CHK D. COLEY 25-MAR-2004 | | |
| TOLERANCES UNLESS OTHERWISE SPECIFIED: | | APVD D. COLEY 25-MAR-2004 | NAME | |
| 0 PLC ± | | PRODUCT SPEC | CAP, 6 CIRCUIT MATE-N-LOK(TM) | |
| 1 PLC ± | | APPLICATION SPEC | SIZE A2 | CAGE CODE 00779 |
| 2 PLC ± | | WEIGHT | SCALE 6:1 | SHEET 1 of 1 |
| 3 PLC ± 0.13 [.005] | | CUSTOMER DRAWING | REV W2 | RESTRICTED TO |
| 4 PLC ± | | | | |
| ANGLES ± | | | | |
| FINISH | | | | |

METRIC