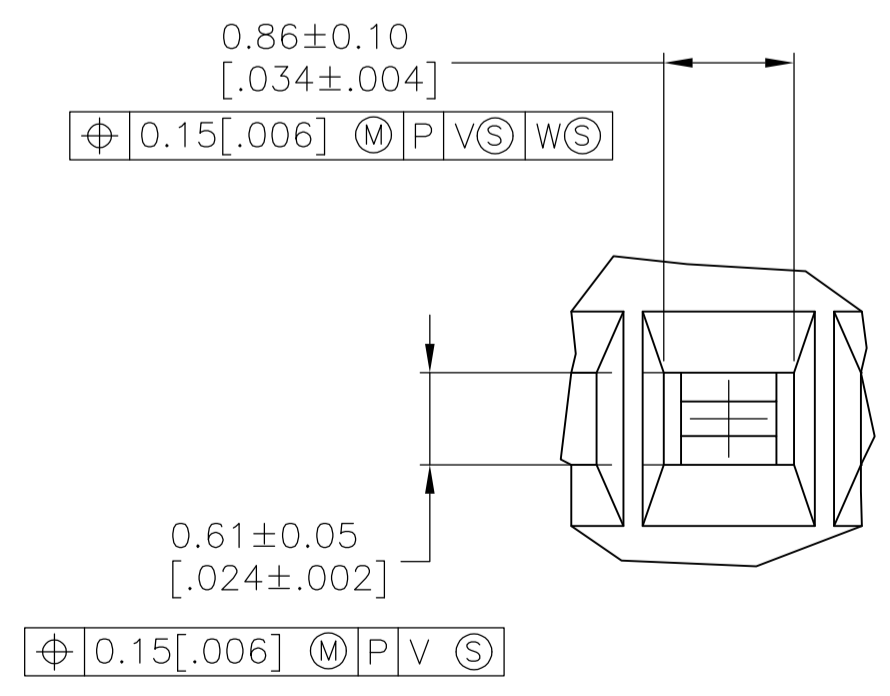
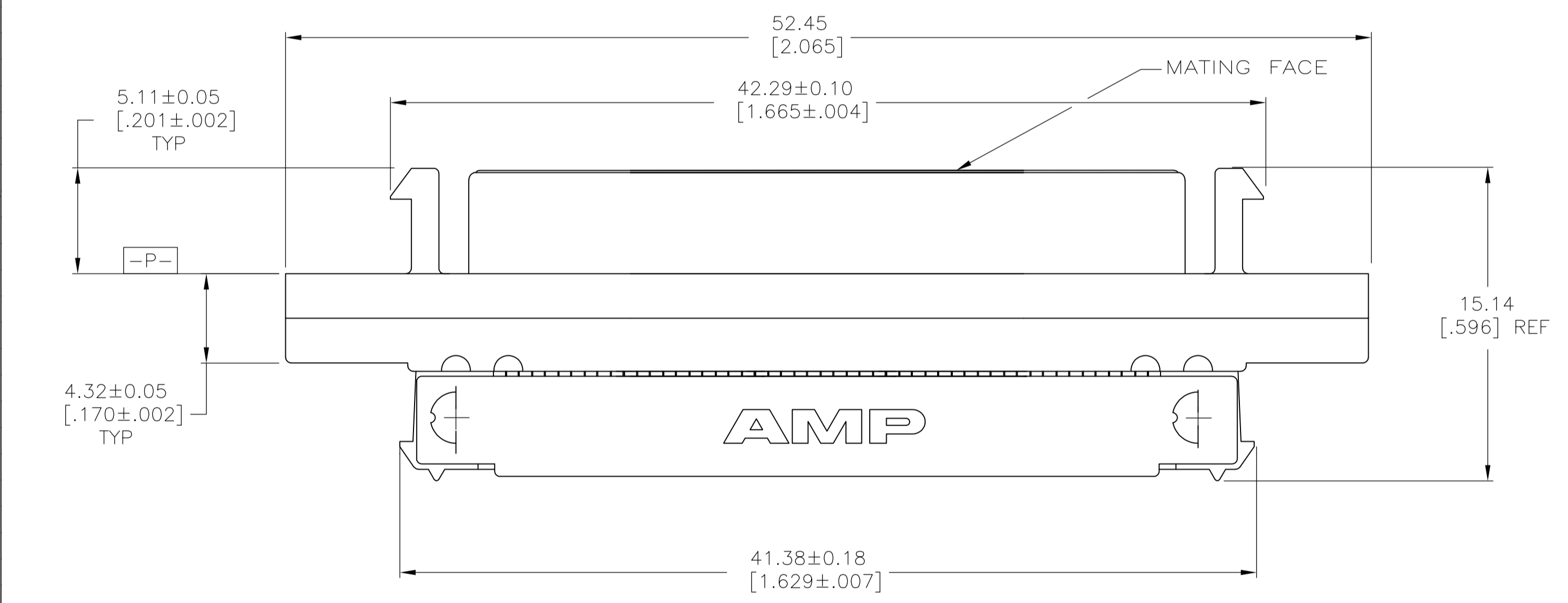
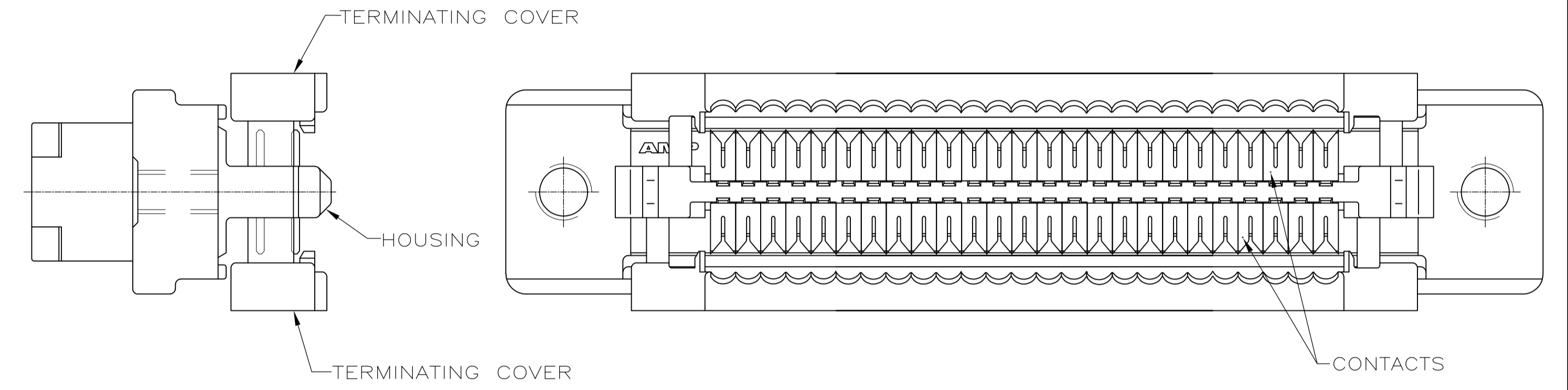
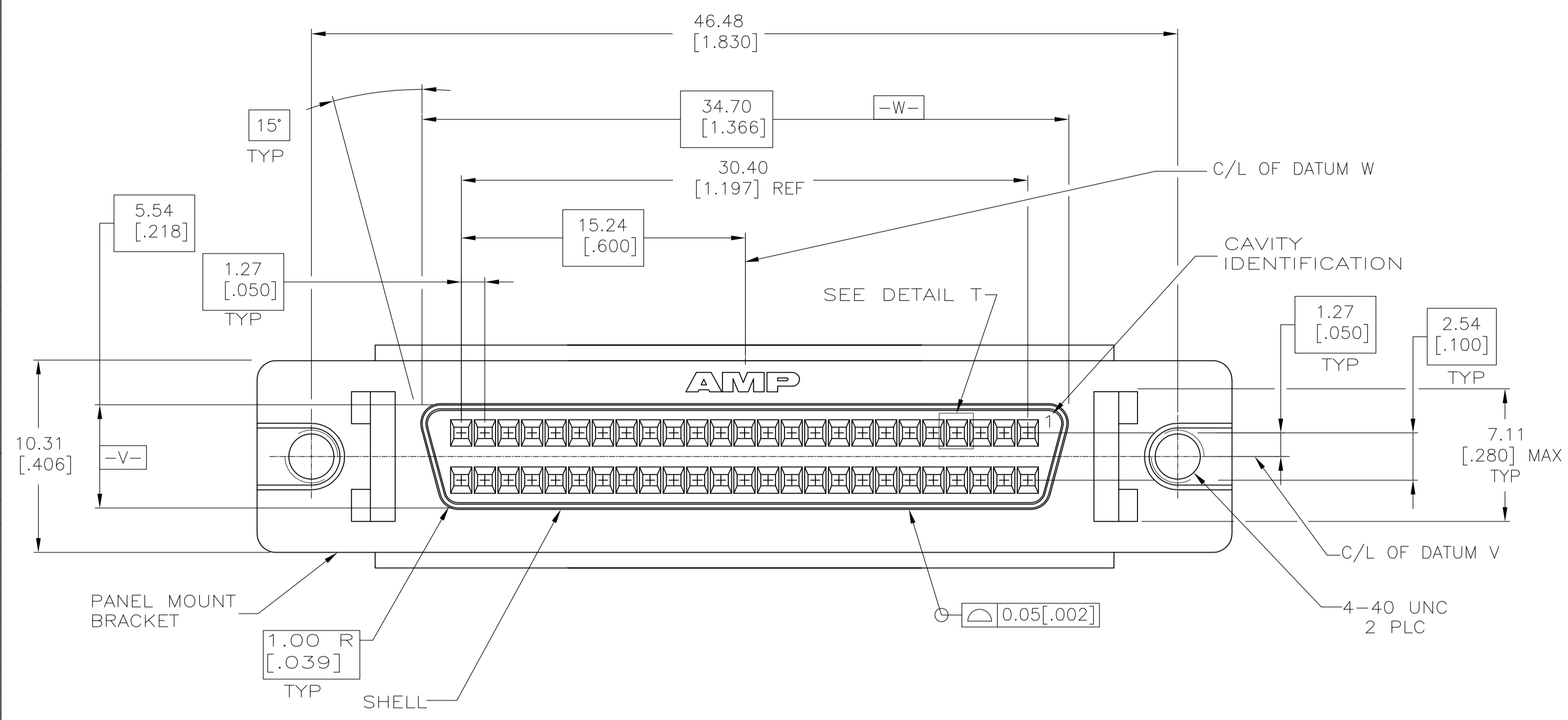


LOC		DIST		REVISIONS			
F	LTR	DESCRIPTION	DATE	DN	APVD		
F		REVISED PER ECO-09-013073*	11JUN2009	ZMR	SLB		



DETAIL T
 SCALE 20:1
 TYPICAL

- 1 MATERIAL-
 CONTACTS: PHOSPHOR BRONZE.
 SHELL: CARBON STEEL.
 PANEL MOUNT BRACKET: ZINC.
 HOUSING AND TERMINATION COVERS: POLYESTER 94V-0 RATE, BLACK.
- 2 FINISH-
 CONTACTS: EITHER 0.76µm [.000030] MIN GOLD PLATE OR GOLD FLASH OVER PALLADIUM NICKEL PLATE, 0.76µm [.000030] MIN TOTAL FOR A LENGTH OF 0.64 [.025] MIN, 0.13 [.005] MAX FROM MATING END, 1.27µm [.000050] MIN TIN-LEAD ON OPPOSITE END FOR A LENGTH OF 2.44 [.096] MIN, BOTH OVER 1.27µm [.000050] MIN NICKEL.
 SHELL: 5.08µm [.000200] MIN NICKEL OVER 1.27µm [.000050] MIN COPPER.
 PANEL MOUNT BRACKET: 5.08µm [.000200] MIN NICKEL OVER 7.62µm [.000300] MIN COPPER.
3. RECOMMENDED WIRE:
 28 AWG OR 30 AWG, SOLID OR 7 STRANDED, WITH A 0.74-0.91 [.029-.036] INSULATION DIA, OR AMP .050 CENTERLINE 28 AWG, STRANDED, PVC, FLAT GRAY RIBBON CABLE, WIRE MUST BE APPROVED BY AMP INCORPORATED.
- 4 FINISH-
 CONTACTS: EITHER 0.76µm [.000030] MIN GOLD PLATE OR GOLD FLASH OVER PALLADIUM NICKEL PLATE, 0.76µm [.000030] MIN TOTAL FOR A LENGTH OF 0.64 [.025] MIN, 0.13 [.005] MAX FROM MATING END, 1.27µm [.000050] MIN TIN ON OPPOSITE END FOR A LENGTH OF 2.44 [.096] MIN, BOTH OVER 1.27µm [.000050] MIN NICKEL.
 SHELL: 5.08µm [.000200] MIN NICKEL OVER 1.27µm [.000050] MIN COPPER.
 PANEL MOUNT BRACKET: 5.08µm [.000200] MIN NICKEL OVER 7.62µm [.000300] MIN COPPER.

4	5-750640-1
2	750640-1
FINISH	PART NO

THIS DRAWING IS A CONTROLLED DOCUMENT.		DIN C DORWART 31-07-91	Tyco Electronics Corporation Harrisburg, Pa 17105-3608	
DIMENSIONS: mm [INCHES]		CHK R. STONE 09-08-91	APVD J. SAUDER 09-08-91	
TOLERANCES UNLESS OTHERWISE SPECIFIED:		NAME		
0 PLC ± -	1 PLC ± -	RECEPTACLE CABLE ASSEMBLY, 50 POSITION, RAILLESS, PANEL MOUNT, AMPLIMITE .050 SERIES		
2 PLC ± -	3 PLC ± -	PRODUCT SPEC 108-1228		
4 PLC ± -	ANGLES ± -	APPLICATION SPEC 114-40029		
MATERIAL 1	FINISH SEE TABLE	SIZE A1	CAGE CODE 00779	DRAWING NO 750640
CUSTOMER DRAWING		WEIGHT	SCALE 5:1	SHEET 1 OF 1 REV F