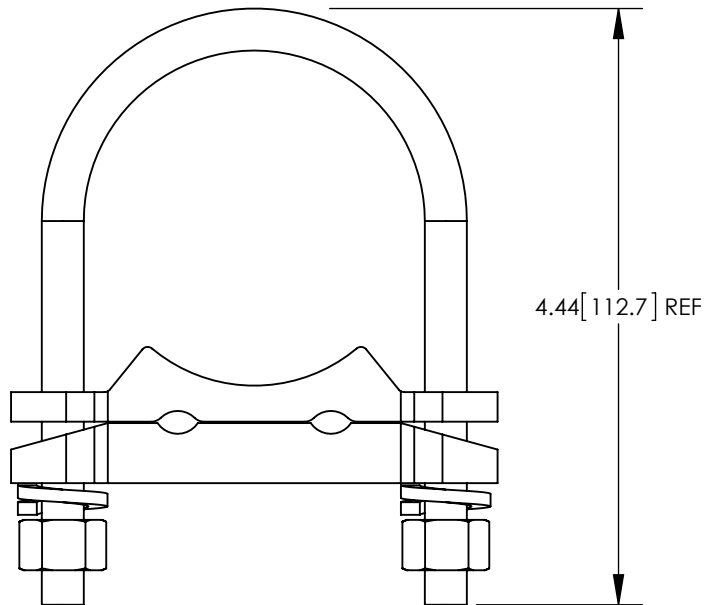
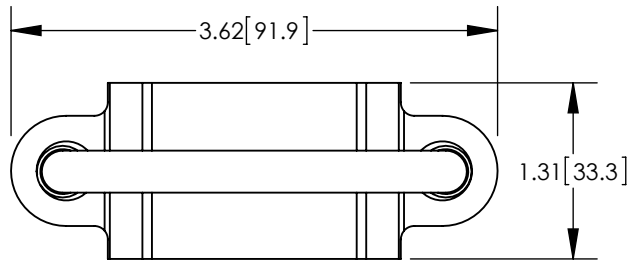
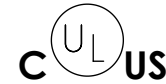


THIS COPY IS PROVIDED ON A RESTRICTED BASIS AND IS NOT TO BE USED IN ANY WAY DETRIMENTAL TO THE INTERESTS OF PANDUIT CORP.



NOTES:

1. MATERIAL:  
BODY: BRONZE (GUN METAL)  
NUT/WASHER: PHOS. BRONZE
2. PARTS ARE cULus LISTED TO UL467 AS  
GROUNDING & BONDING EQUIPMENT
3. RATED FOR DIRECT BURIAL
4. DIMENSIONS IN PARENTHESIS ARE MILLIMETERS.
5. PACKAGING QTY:  
X = 10



DB  
RATED

PART NUMBER	DESCRIPTION	WIRE RANGE	PIPE SIZE
GU-11-X	GROUND CLAMP CONNECTOR	4 SOL - 2/0 STR	2"

REV	DATE	BY	CHK	APR	DESCRIPTION	ECN
00	9/13	JHNU	SRBI	RGB	DRAWING RELEASED	13J051AD-JC

TITLE		GROUND CLAMP (GU-11-X) CUSTOMER DRAWING	
ITEM REVISION NAME	13J051AD/00		
DATASET FILE NAME	13J051AD-JC/00.SLDDRW		
UNLESS OTHERWISE SPECIFIED, DIMENSIONAL TOLERANCES ARE: IN [mm]		MATERIAL	
.X ±	.XXX ±	SEE NOTES	
.XX ± .2 [5.2]	ANGLES ±	DRAWING NUMBER	
THIRD ANGLE PROJECTION		13J051AD-JC	



REV	DATE	BY	CHK	APR	DESCRIPTION	ECN	DRAWN BY	DATE	CHK	SCALE	SHEET	SIZE
							JHNU	9/13	SRBI	NONE	SHEET 1 OF 1	A