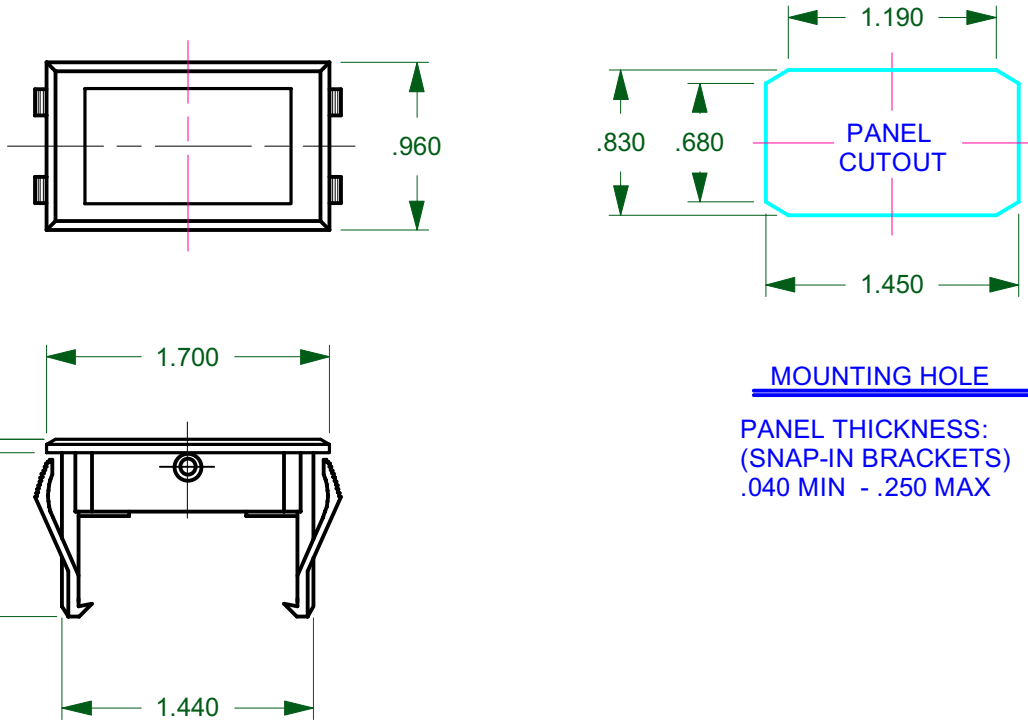


DO NOT SCALE DRAWING WORK TO FIGURE

DWG NO. TGG-00001000 NBL/BLANK		REV.
LET	REVISIONS	DATE



DIMENSIONS SUBJECT TO CHANGE WITHOUT NOTICE		FINISH _____	CARLINGSWITCH, INC. PLAINVILLE, CT	
PROPRIETARY NOTE: NOTICE TO ALL PERSONS RECEIVING THIS DRAWING. THIS DOCUMENT IS THE PROPERTY OF CARLINGSWITCH, INC. AND IS NOT TO BE DISCLOSED, REPRODUCED IN WHOLE OR IN PART OR USED FOR MANUFACTURING PURPOSES BY ANYONE WITHOUT THE CONSENT OF CARLINGSWITCH, INC.	UNSPECIFIED TOLERANCES FRAC. ±1/64 X.XXX ±.015 ANGLES ±1;		TITLE NBL / BLANK	
	PROJECTIONS 	DIMENSIONS IN [mm]	TOOL NO. _____	REV.
	DR BY G HALL	DATE 3-4-94	SIZE A	DWG NO. TGG-00001000 NBL/BLANK
	APPD BY	DATE	USED ON	SCALE: NONE
			SHT 1	OF 1