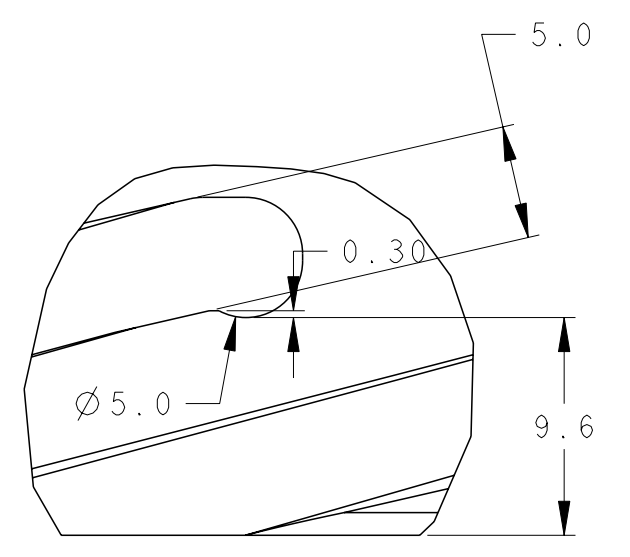
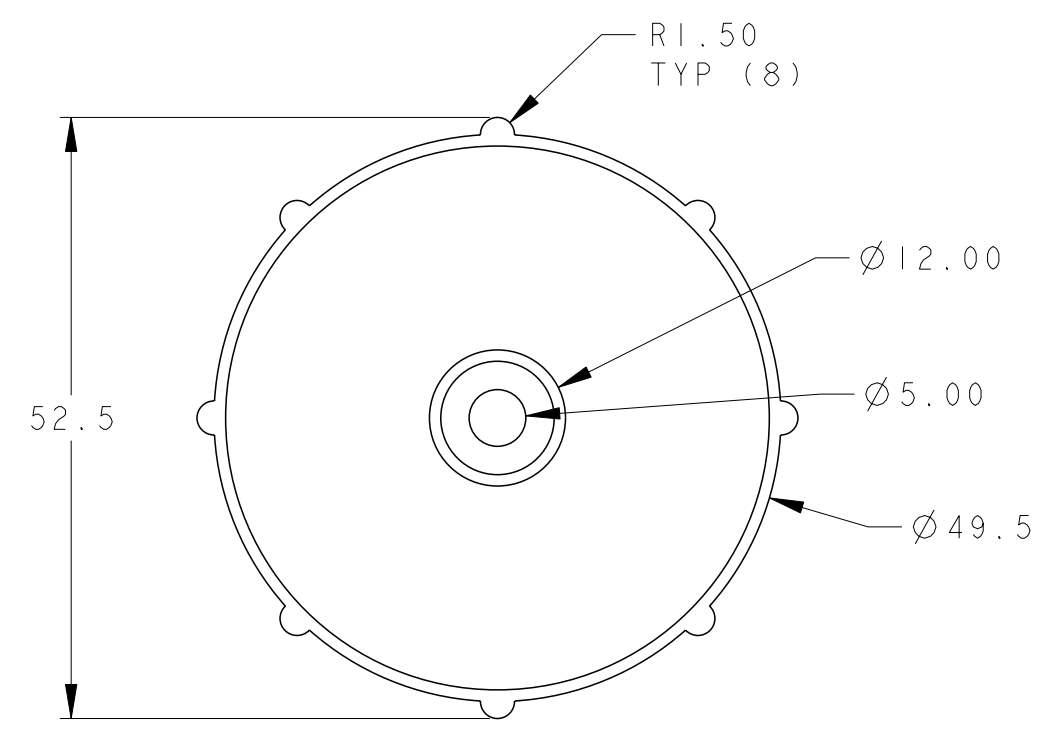
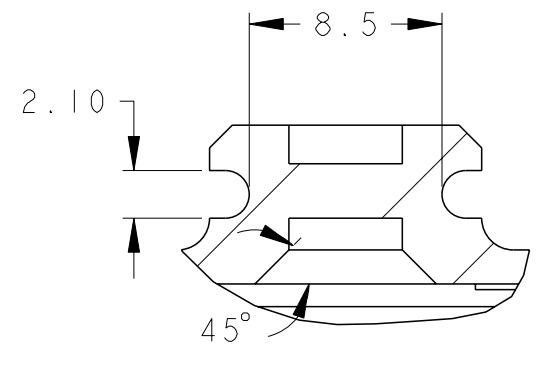


THIS DRAWING IS UNPUBLISHED. RELEASED FOR PUBLICATION 20  
 © COPYRIGHT 20 BY - ALL RIGHTS RESERVED.

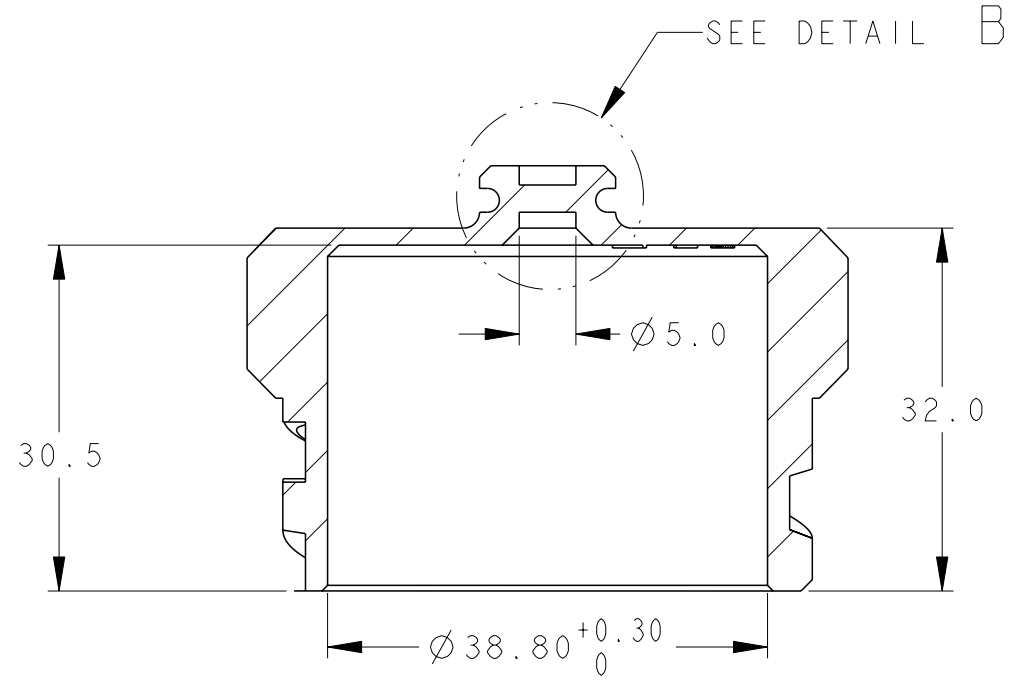
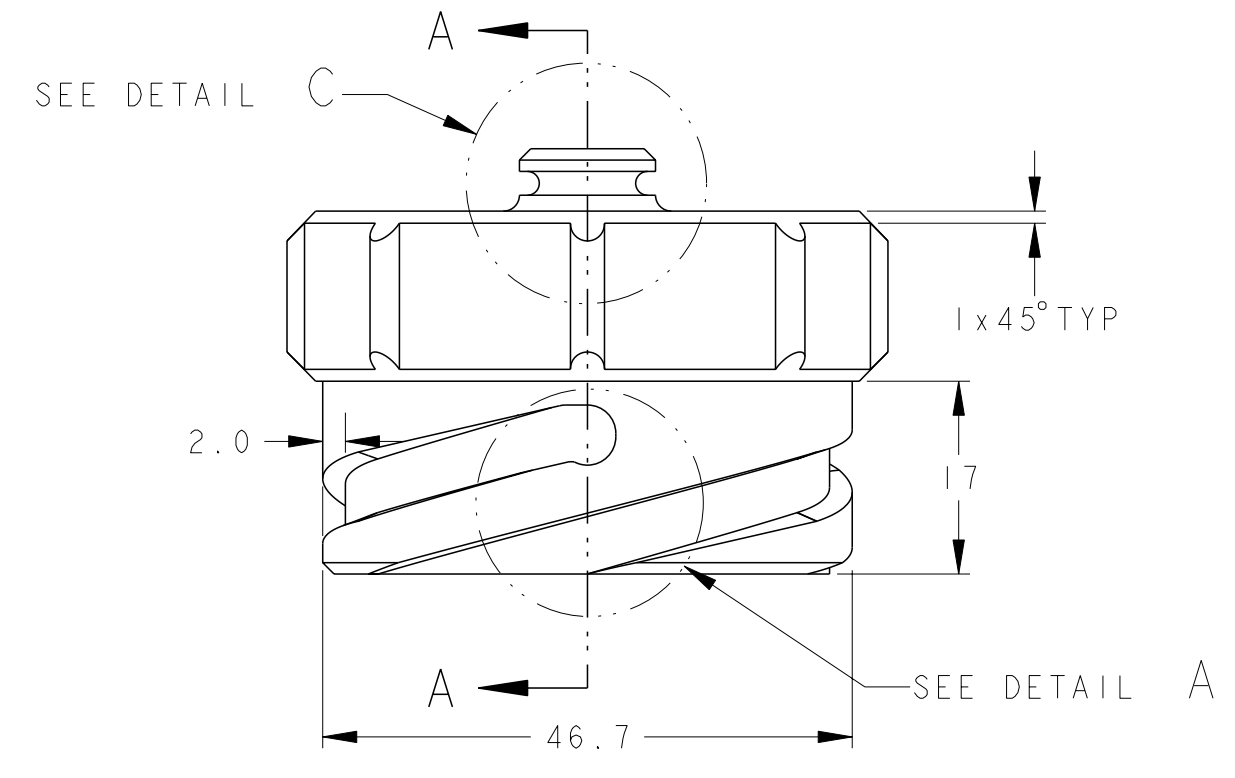
| LOC |     | DIST          |          | REVISIONS |      |  |  |
|-----|-----|---------------|----------|-----------|------|--|--|
| P   | LTR | DESCRIPTION   | DATE     | DWN       | APVD |  |  |
|     | B   | ECR-12-017180 | 01/10/12 | MJG       | DP   |  |  |



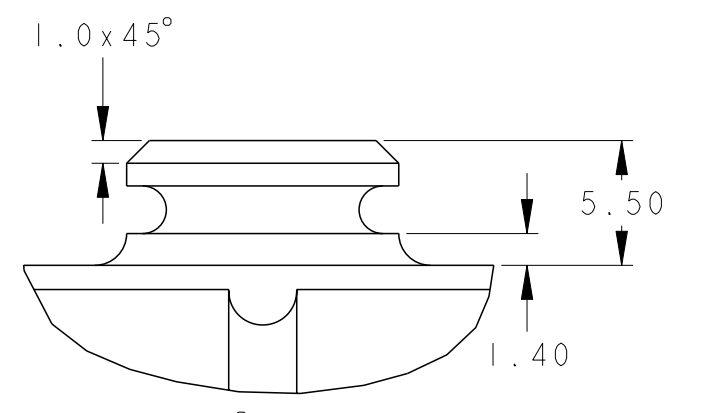
DETAIL A  
SCALE 3:1



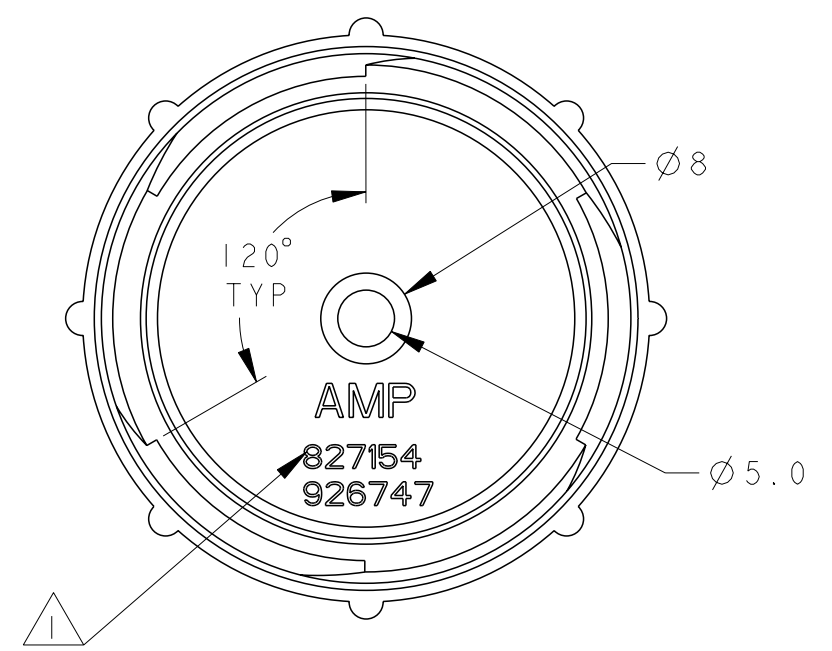
DETAIL B  
SCALE 3:1



SECTION A-A



DETAIL C  
SCALE 3:1



NOTES  
 ⚠ TRADE MARK AND PART NUMBER

THIS DRAWING IS A CONTROLLED DOCUMENT.

|             |  |                  |               |          |
|-------------|--|------------------|---------------|----------|
| DIMENSIONS: | TOLERANCES UNLESS OTHERWISE SPECIFIED: | DWN              | M. GREENER    | 01/10/12 |
| mm          | 0 PLC ±0.5                             | CHK              | J. AMBROSE    | 01/10/12 |
|             | 1 PLC ±0.25                            | APVD             | D. PENNINGTON | 01/10/12 |
|             | 2 PLC ±0.2                             | PRODUCT SPEC     |               |          |
|             | 3 PLC ±0.2                             | APPLICATION SPEC |               |          |
|             | 4 PLC ±                                | WEIGHT           |               |          |
| MATERIAL    | FINISH                                 | CUSTOMER DRAWING |               |          |

|                            |                         |                  |
|----------------------------|-------------------------|------------------|
| BLACK COLOUR               | PA66 GB20 GF10 MATERIAL | 926747-1 PART NO |
| <b>STE</b> TE Connectivity |                         |                  |
| NAME: SEALING CAP FOR PLUG |                         |                  |
| SIZE                       | CAGE CODE               | DRAWING NO       |
| A200779                    | C-926747                |                  |
| RESTRICTED TO              | SCALE                   | SHEET            |
| -                          | NTS                     | 1 OF 1           |
| REV                        | B                       |                  |